



# Service Repair Manual

## **Models**

# 330D MH EXCAVATOR

---

Product: EXCAVATOR

Model: 330D MH EXCAVATOR PEL

Configuration: 330D Material Handler PEL00001-UP (MACHINE) POWERED BY C9 Engine

## Disassembly and Assembly 330D Excavator Machine Systems

Media Number -KENR5993-02

Publication Date -01/02/2017

Date Updated -20/02/2017

i02747617

# Main Hydraulic Pump - Assemble

SMCS - 5070-016

## Assembly Procedure

Table 1

Required Tools			
Tool	Part Number	Part Description	Qty
B	138-7574	Link Bracket	2
C	1P-1855	Retaining Ring Pliers	1
D	1P-1863	Retaining Ring Pliers	1
E	5P-5197	Retaining Ring Pliers As	1
F	5P-4758	Retaining Ring Pliers As	1

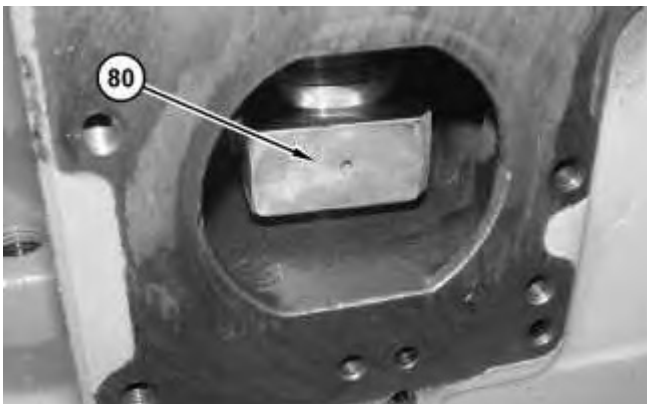


Illustration 1

g01174818

1. Install pistons (80).

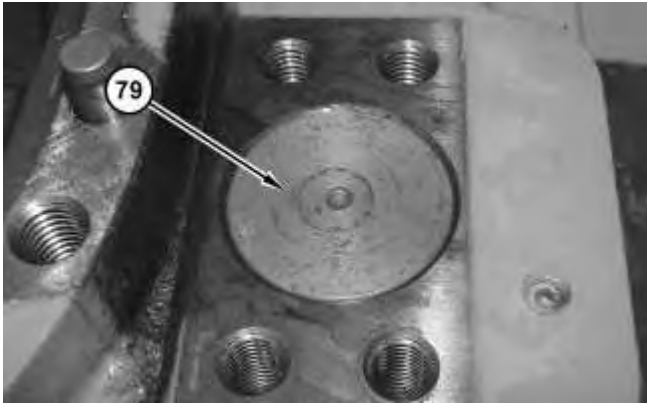


Illustration 2

g01174817

2. Install plugs (79) and the O-ring seals.

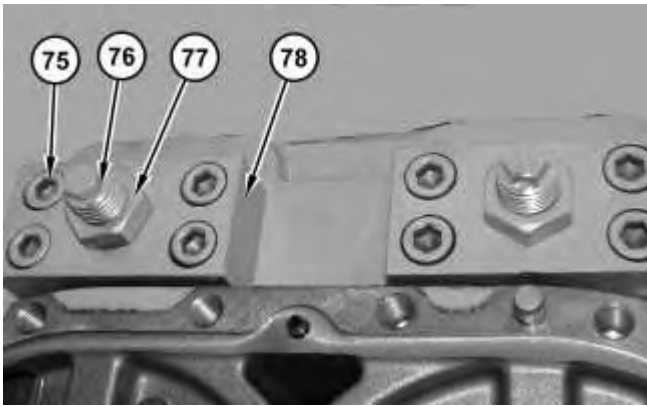


Illustration 3

g01174816

3. Install covers (78) and bolts (75).
4. Tighten nuts (77) and screws (76).

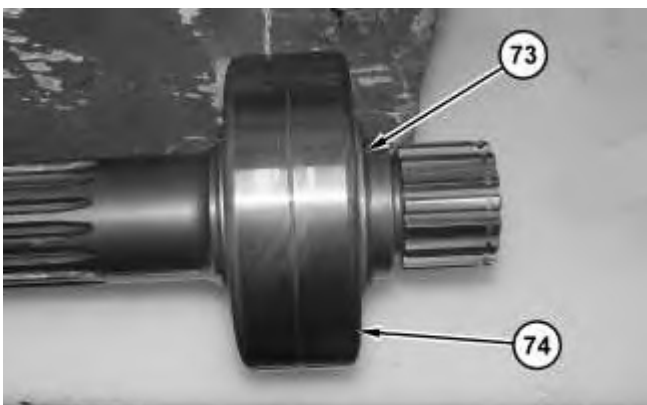


Illustration 4

g01174814

5. Raise the temperature of bearing (74).
6. Install bearing (74).
7. Use Tooling (D) in order to install retaining ring (73).

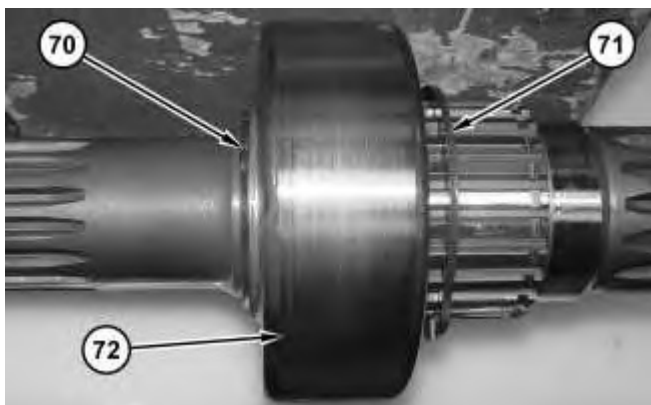


Illustration 5

g01174725

8. Raise the temperature of bearing (72).
9. Install bearing (72).
10. Use Tooling (D) in order to install retaining ring (70).
11. Use Tooling (D) in order to install retaining ring (71).

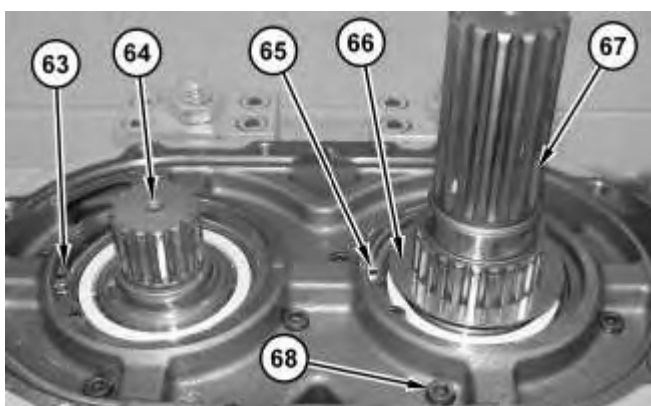


Illustration 6

g01174723

---

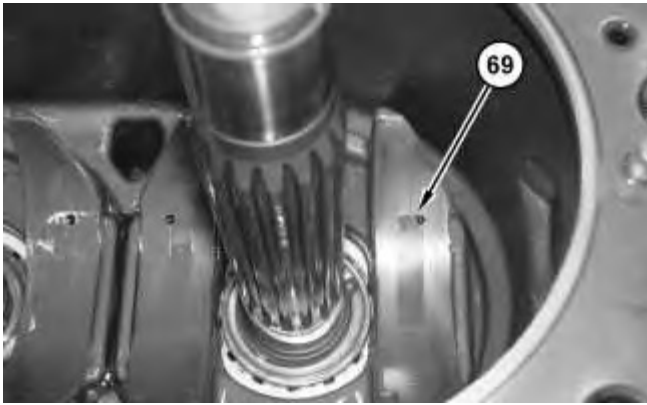


Illustration 7

g01174724

12. Install bearings (69) and bolts (68). Tighten bolts (68) to a torque of  $34 \pm 5 \text{ N}\cdot\text{m}$  ( $25 \pm 4 \text{ lb ft}$ ).
13. Install shaft assembly (67).
14. Install shaft assembly (64).
15. Use Tooling (F) in order to install retaining ring (65).
16. Use Tooling (F) in order to install retaining ring (63).
17. Install shim (66).

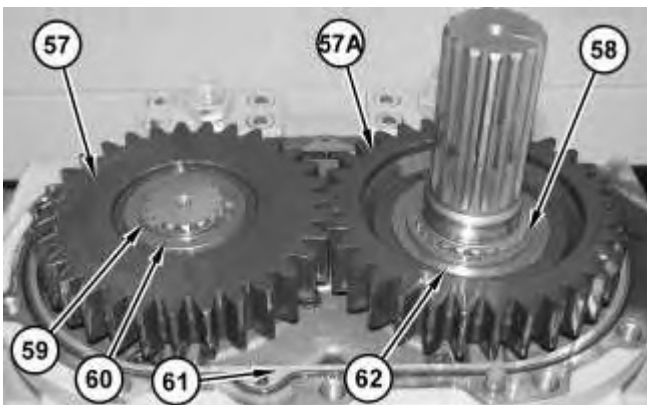


Illustration 8

g01174702

18. Install gasket (61), gear (57A), and shim (62).
19. Use Tooling (E) in order to install retaining ring (58).
20. Install gear (57A) and shim (60).
21. Use Tooling (D) in order to install retaining ring (59).

Thank you so much for reading.  
Please click the “Buy Now!”  
button below to download the  
complete manual.



After you pay.

You can download the most  
perfect and complete manual in  
the world immediately.

Our support email:

[ebooklibonline@outlook.com](mailto:ebooklibonline@outlook.com)