



# Service Repair Manual

## **Models**

# 325C EXCAVATOR

---

Product: EXCAVATOR  
Model: 325C EXCAVATOR BLX  
Configuration: ISJ HEX COMMONALITY CHART BLX00001-UP (MACHINE)

## Disassembly and Assembly 3126B Engines for Caterpillar Built Machines

Media Number -SEN9581-06

Publication Date -01/08/2018

Date Updated -17/08/2018

i02374873

# Inlet and Exhaust Valves - Remove and Install

SMCS - 1105-010

## Removal Procedure

Table 1

Required Tools			
Tool	Part Number	Part Description	Qty
A	5S-1330	Valve Spring Compressor	1

### Start By:

- Remove the cylinder head assembly. Refer to Disassembly and Assembly, "Cylinder Head - Remove".

---

### NOTICE

**Keep all parts clean from contaminants.**

**Contaminants may cause rapid wear and shortened component life.**

---

---

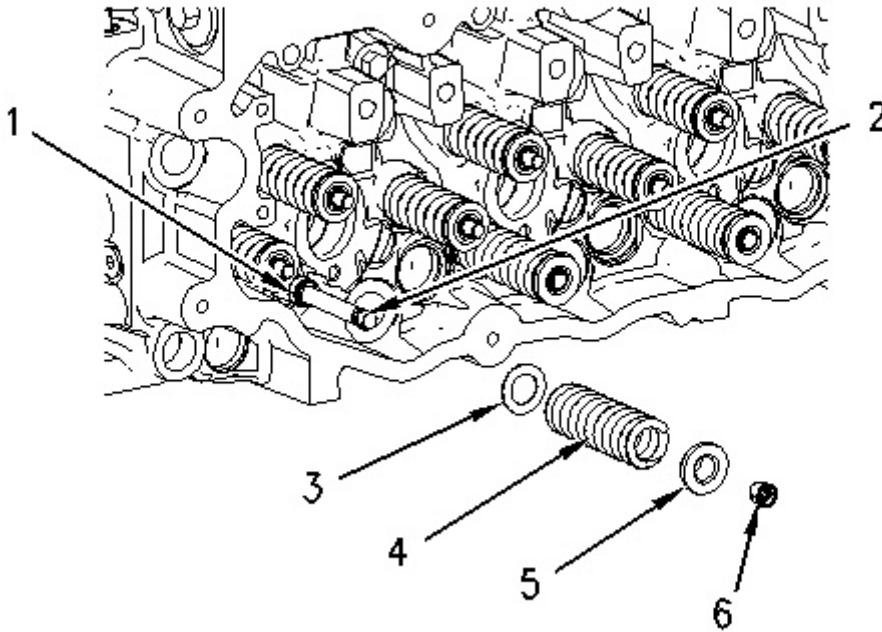


Illustration 1

g00991548

## **WARNING**

**Personal injury can result from being struck by parts propelled by a released spring force.**

**Make sure to wear all necessary protective equipment.**

**Follow the recommended procedure and use all recommended tooling to release the spring force.**

1. Use Tooling (A) to compress valve spring (4). Remove retainer lock (6).
2. Remove Tooling (A). Remove spring retainer (5), valve spring (4), and washer (3).
3. Remove valve seal (1) and valve (2).
4. Repeat Steps 1 through 3 in order to remove the remaining inlet valves and exhaust valves.

## **Installation Procedure**

Table 2

Required Tools			
Tool	Part Number	Part Description	Qty
A	5S-1330	Valve Spring Compressor	1

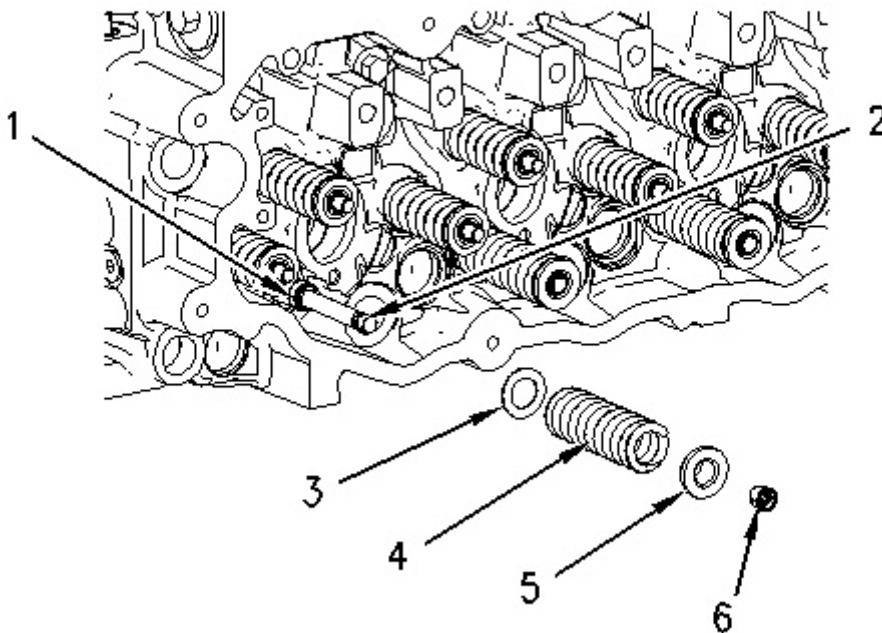
---

**NOTICE**

**Keep all parts clean from contaminants.**

**Contaminants may cause rapid wear and shortened component life.**

---



---

Illustration 2

g00991548

**! WARNING**

**The valve spring keepers can be thrown from the valve when the valve spring compressor is released. Ensure that the valve spring keepers are**

**properly installed on the valve stem. To help prevent personal injury, keep away from the front of the valve spring keepers and valve springs during the installation of the valves.**

---

1. Lubricate valve (2) with clean engine oil. Install valve (2) in the cylinder head assembly. Install new valve seal (1) onto the valve guide.
2. Place the following items on the valve stem: washer (3), valve spring (4) and spring retainer (5).

**Note:** A small amount of grease can be used to hold the retainer locks in position during installation.

3. Use Tooling (A) to compress valve spring (4). Install retainer lock (6).
4. Repeat Steps 1 through 3 in order to install the remaining inlet valves and exhaust valves.

**End By:**

- a. Install the cylinder head assembly. Refer to Disassembly and Assembly, "Cylinder Head - Install".

Product: EXCAVATOR  
Model: 325C EXCAVATOR BLX  
Configuration: ISJ HEX COMMONALITY CHART BLX00001-UP (MACHINE)

## Disassembly and Assembly 3126B Engines for Caterpillar Built Machines

Media Number -SEN9581-06

Publication Date -01/08/2018

Date Updated -17/08/2018

i01979506

# Inlet and Exhaust Valve Guides - Remove and Install

SMCS - 1104-010

## Removal Procedure

Table 1

Required Tools			
Tool	Part Number	Part Description	Qty
A	1U-7793	Valve Guide Driver	1
B	9U-6895	Valve Guide Driver	1

### Start By:

- Remove the inlet and exhaust valves. Refer to Disassembly and Assembly, "Inlet and Exhaust Valves - Remove and Install".

---

### NOTICE

**Keep all parts clean from contaminants.**

**Contaminants may cause rapid wear and shortened component life.**

---

---

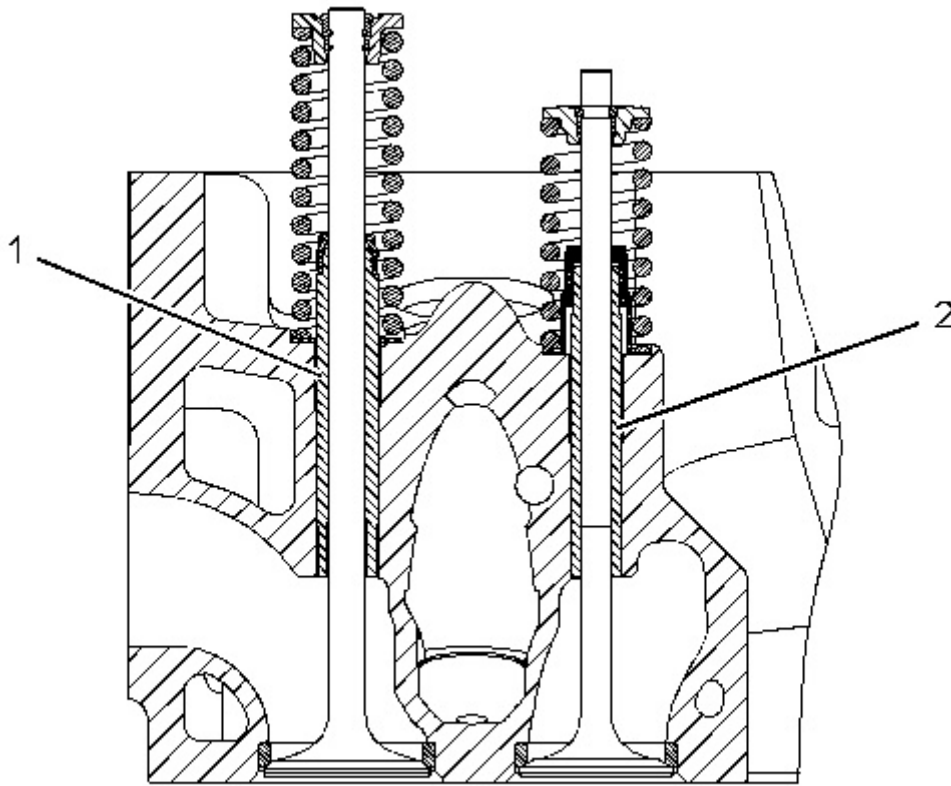


Illustration 1

g01029395

1. Use Tooling (A) to remove inlet valve guides (2) from the cylinder head assembly. Use Tooling (B) to remove exhaust valve guides (1) from the cylinder head assembly.

## Installation Procedure

Table 2

Required Tools			
Tool	Part Number	Part Description	Qty
A	1U-7793	Valve Guide Driver	1
B	9U-6895	Valve Guide Driver	1
C	1U-7792	Guide Collar	1
D	149-4008	Guide Collar	1

### NOTICE

**Keep all parts clean from contaminants.**

**Contaminants may cause rapid wear and shortened component life.**

Thank you so much for reading.  
Please click the “Buy Now!”  
button below to download the  
complete manual.



After you pay.

You can download the most  
perfect and complete manual in  
the world immediately.

Our support email:

[ebooklibonline@outlook.com](mailto:ebooklibonline@outlook.com)