

Product: TRACK-TYPE TRACTOR

Model: D9R TRACK-TYPE TRACTOR 7TL

Configuration: D9R Track-Type Tractor Differential Steering 7TL00557-00851 (MACHINE) POWERED BY 3408 Engine

Disassembly and Assembly D9R Track-Type Tractor Power Train

Media Number -M0097695-00

Publication Date -01/08/2018

Date Updated -23/08/2018

i03477582

Final Drive - Disassemble

SMCS - 4050-015

Disassembly Procedure

Table 1

Required Tools			
Tool	Part Number	Part Description	Qty
A	138-7575	Link Bracket	3
B	8B-7548	Push-Puller Tool Group	1
	8H-0684	Ratchet Wrench	1
	8B-7554	Bearing Cup Puller	1
C	138-7573	Link Bracket	3
D	1P-0520	Driver Group	1
E	1P-0527	Plate	1
	6V-3160	Hydraulic Cylinder Gp	1
	5P-9695	Pressure Plate	1
	2S-4680	Stud	3
	5H-1504	Hard Washer	3
	6B-6682	Full Nut	3
	FT-1409	Spacer	6
	9U-6600	Hand Hydraulic Pump	1
F	138-7574	Link Bracket	2

Start By:

- a. Remove the final drive. See Disassembly and Assembly, "Final Drive - Remove".



WARNING

When you are using hydraulic cylinders and puller studs, always ensure that the rated capacity of the puller stud meets or exceeds the rated capacity of the hydraulic cylinder. If the puller stud does not meet or exceed the rated capacity of the hydraulic cylinder, a sudden failure of the puller stud could occur. The sudden failure of the puller stud could result in personal injury or death.

NOTICE

Do not use threaded rods that have not been hardened as tooling with hydraulic cylinders. The maximum rated tonnage should be stamped on one end of the puller studs. Do not use threaded rods that have not been stamped with the rated tonnage.

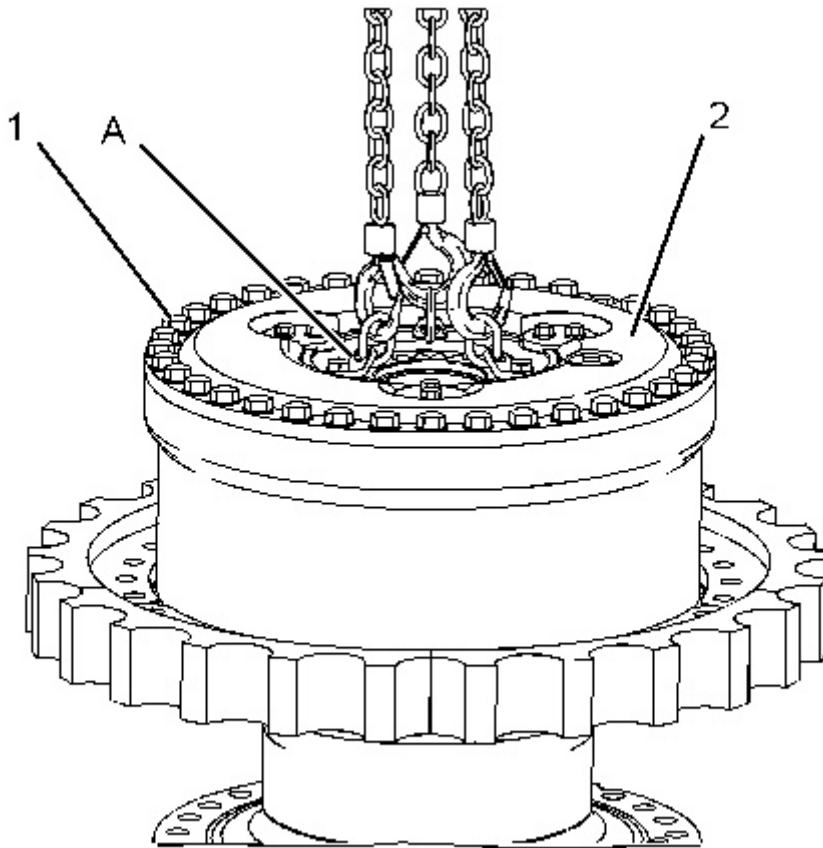


Illustration 1

g01086838

1. Install Tooling (A) on the planetary carrier. Fasten a suitable lifting device to Tooling (A).
2. Remove bolts (1) that hold the planetary carrier to the hub.
3. Remove planetary carrier (2) from the hub. The weight is approximately 170 kg (375 lb).

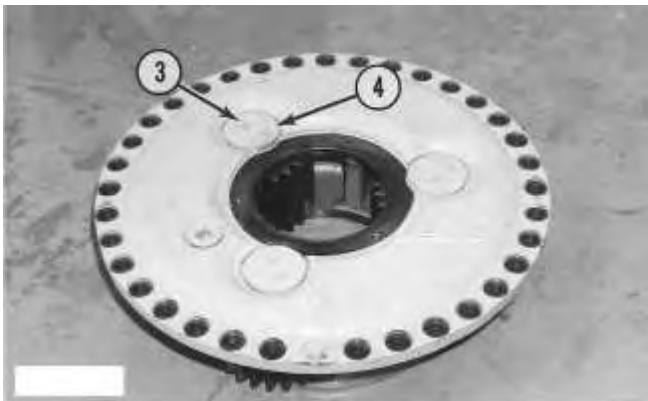


Illustration 2

g00627501

4. Remove bolts (3) and three plates (4). Remove the O-ring seals from the plates.
-

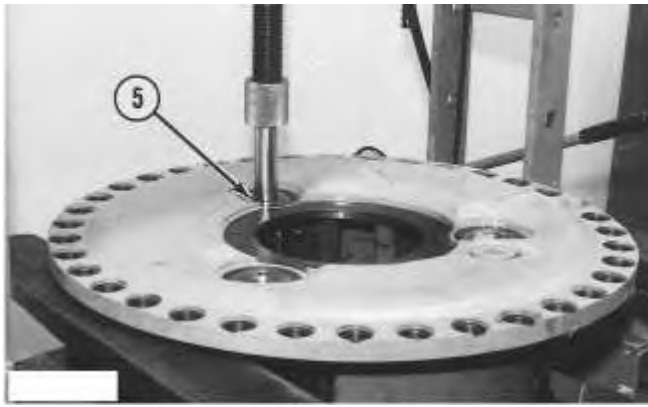


Illustration 3

g00627502

5. Use a suitable press to remove shafts (5) from the planetary carrier.

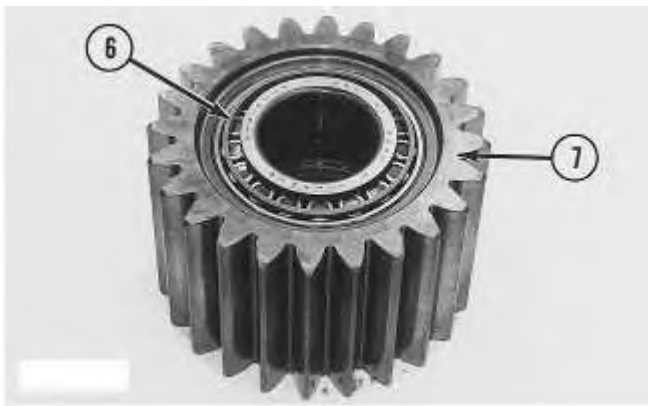


Illustration 4

g00627505

6. Remove gears (7) from the planetary carrier.
7. Remove bearing cones (6) from each side of gears (7).

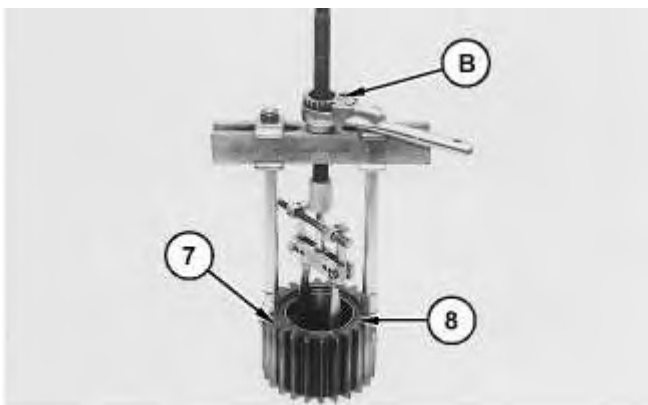


Illustration 5

g01086839

8. Remove bearing cups (8) from each side of gears (7) with Tooling (B).

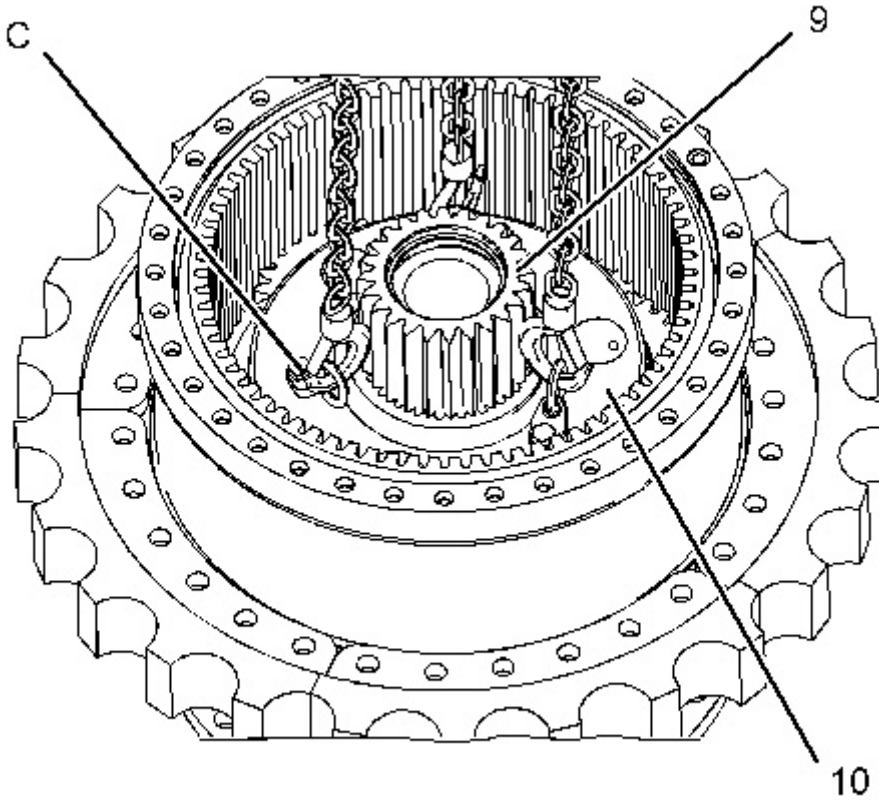


Illustration 6

g01086869

9. Install Tooling (C) on the planetary carrier, as shown. Fasten an appropriate lifting device to Tooling (C).

Note: There is a sun gear in the middle of the planetary carrier. The sun gear is free to fall if the gear stays with the planetary carrier.

10. Remove sun gear (10) and planetary carrier (9) as an assembly from the hub. The weight is approximately 95 kg (210 lb).



Illustration 7

g00627509

11. Remove spiral ring (11) from the sun gear.

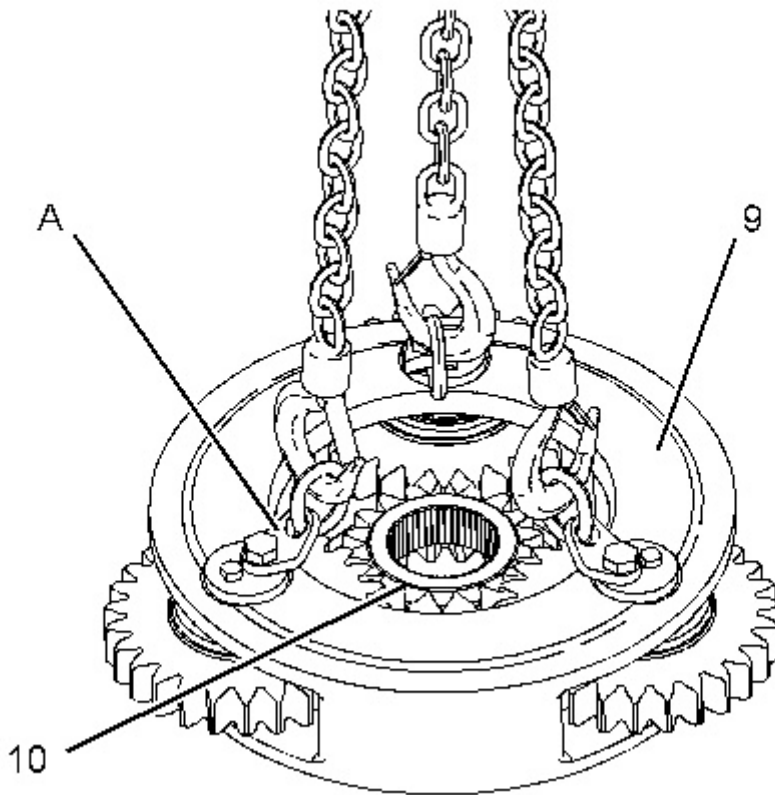


Illustration 8

g01086870

12. Fasten a suitable lifting device in order to remove planetary carrier (9) from sun gear (10). The weight of the planetary carrier is approximately 68 kg (150 lb).

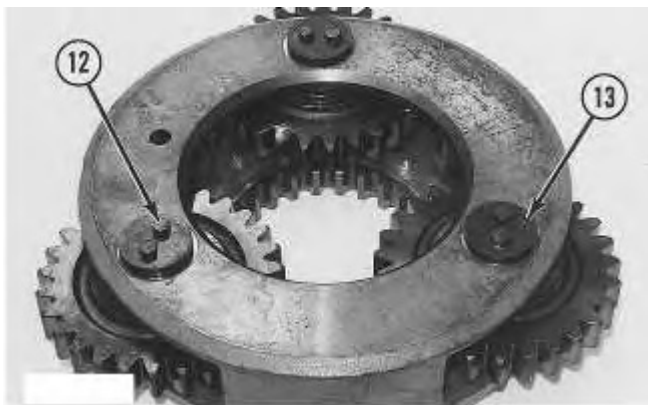


Illustration 9

g00627511

13. Remove bolts (12) and plates (13).
-



Illustration 10

g01086871

14. Use a suitable press to remove shafts (14) from the planetary carrier.
15. Remove gears (15) from the planetary carrier.

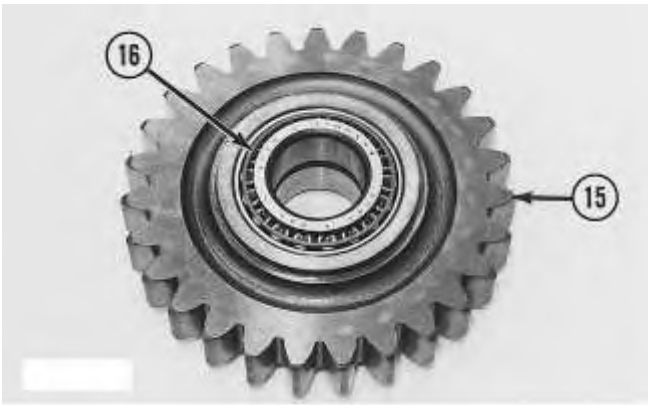


Illustration 11

g00627520

16. Remove bearing cone (16) from each side of gears (15).



Illustration 12

g00627522

17. Remove bearing cup (17) from each side of gear (15).

Thank you so much for reading.
Please click the “Buy Now!”
button below to download the
complete manual.



After you pay.

You can download the most
perfect and complete manual in
the world immediately.

Our support email:

ebooklibonline@outlook.com