



Service Repair Manual

Models

D7R TRACK-TYPE TRACTOR

Product: TRACK-TYPE TRACTOR

Model: D7R TRACK-TYPE TRACTOR 4SR

Configuration: D7R TRACTORS / POWERSHIFT / 4SR00001-UP (MACHINE) POWERED BY 3306 ENGINE

Disassembly and Assembly D7R Track-Type Tractor Power Train

Media Number -SEN8342-03

Publication Date -01/06/2010

Date Updated -28/06/2010

i07141397

Bevel and Transfer Gears - Disassemble

SMCS - 3011-015

Disassembly Procedure

Table 1

Required Tools			
Tool	Part Number	Part Description	Qty
A	138-7575	Link Bracket	3
B	138-7575	Link Bracket	1
C	8H-0663	Bearing Puller	1
D	8T-2839	Spanner	1
E	1P-1863	Retaining Ring Pliers	1
F	1P-2321	Puller Assembly	1
	5P-4170	Step Plate	1
G		Forcing Screw (1/2 inch by 13)	2
H		Bolt (1/4 inch by 20)	1

Start By:

- a. Separate the transmission and bevel gears.

Note: Put identifying marks on all of the shims as the shims are removed. The identifying marks will ensure correct installation at assembly.



Illustration 1

g00504390

1. Remove bolts (1) and roller brackets (2) from each side of the transfer gear case.

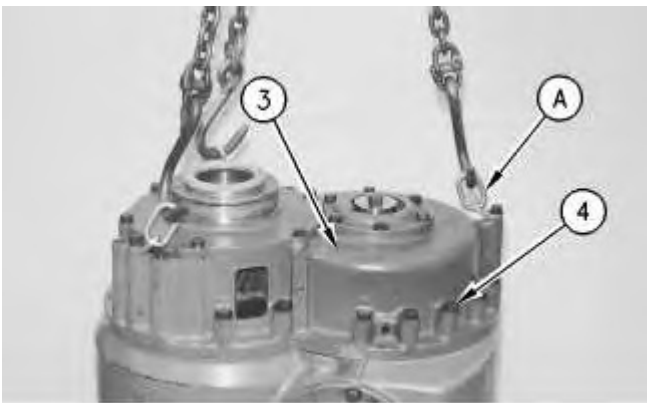


Illustration 2

g00504393

2. Remove bolts (4) that hold transfer gear case (3) to the bevel gear case.
3. Install Tooling (A) and attach a hoist to Tooling (A). Remove transfer gear case (3) from the bevel gear case. The weight of the transfer gear case is approximately 101 kg (223 lb).



Illustration 3

g00839158

4. Remove bolts (5) that hold cage (6) to transfer gear case (3).

5. Install Tooling (G). Tighten Tooling (G) evenly. Remove the cage and the shims from the transfer gear case.

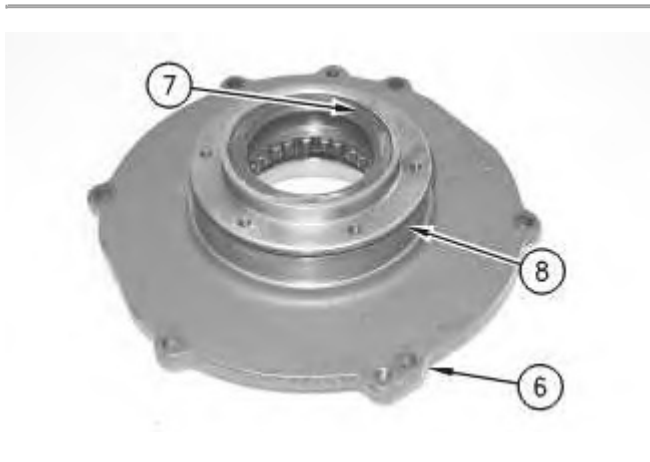


Illustration 4

g00830580

6. Remove lip seal (7) and O-ring seal (8) from cage (7).



Illustration 5

g00504397

Note: The bearing cup and the bearing will be damaged if the bearing cups are removed.

7. Remove bearing cup (9) and bearing (10) from cage (6), if necessary.

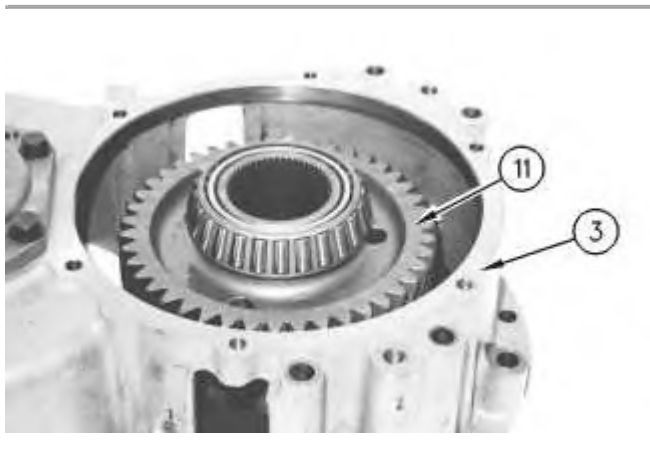


Illustration 6

g00504398

8. Remove transfer gear (11) from transfer gear case (3).
-

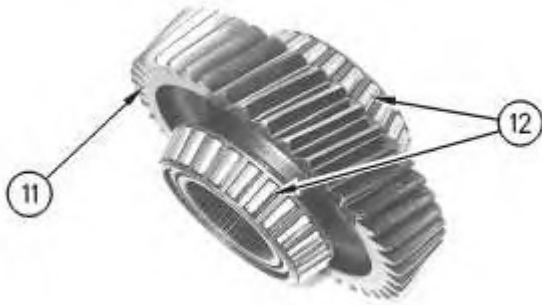


Illustration 7

g00504399

Note: The bearing cones will be damaged if the bearing cones are removed from the transfer gear.

9. Remove bearing cones (12) from transfer gear (11), if necessary.
-

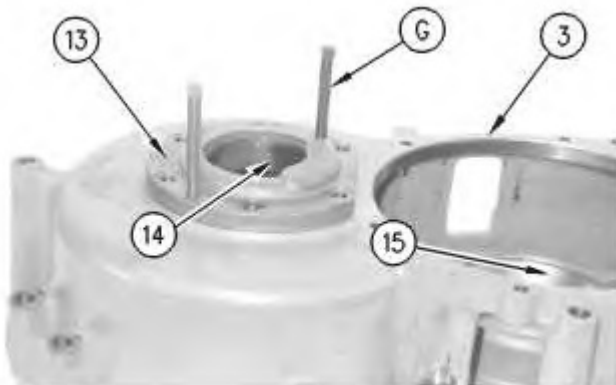


Illustration 8

g00839162

10. Remove the bolts, and install Tooling (G) in cage (13). Tighten Tooling (G) evenly, and remove cage (13) and the shims from transfer gear case (3).
 11. Remove bearing cup (14) from cage (13).
 12. Remove bearing cup (15) from transfer gear case (3).
-

Thank you so much for reading.
Please click the “Buy Now!”
button below to download the
complete manual.



After you pay.

You can download the most
perfect and complete manual in
the world immediately.

Our support email:

ebooklibonline@outlook.com