



Service Repair Manual

Models

972M Wheel Loader

Product: WHEEL LOADER

Model: 972M WHEEL LOADER A78

Configuration: 972M Wheel Loader A7800001-UP (MACHINE) POWERED BY C9.3 Engine

Disassembly and Assembly

966M T3, 972M T3, 966L T3 and 972L T3 Wheel Loader Power Train

Media Number -M0071452-04

Publication Date -01/02/2018

Date Updated -26/02/2018

i05275562

Torque Converter (Freewheel Stator) (Lockup) - Disassemble

SMCS - 3101-015-L7

Disassembly Procedure

Table 1

Required Tools			
Tool	Part Number	Part Description	Qty
A	422-5472	Lifting Eye Assembly	3
B	1P-0520	Driver Gp	1
C	8H-0663	Bearing Puller Gp	1

Start By:

- a. Separate the torque converter from the transmission and from the output transfer gears.

NOTICE

Keep all parts clean from contaminants.

Contaminants may cause rapid wear and shortened component life.

NOTICE

Care must be taken to ensure that fluids are contained during performance of inspection, maintenance, testing, adjusting, and repair

of the product. Be prepared to collect the fluid with suitable containers before opening any compartment or disassembling any component containing fluids.

Refer to Special Publication, NENG2500, "Dealer Service Tool Catalog" for tools and supplies suitable to collect and contain fluids on Cat products.

Dispose of all fluids according to local regulations and mandates.



Illustration 1

g02139353

1. Use Tooling (A) and a suitable lifting device to position torque converter assembly (1) on suitable blocking, as shown. The weight of torque converter assembly (1) is approximately 186 kg (410 lb).

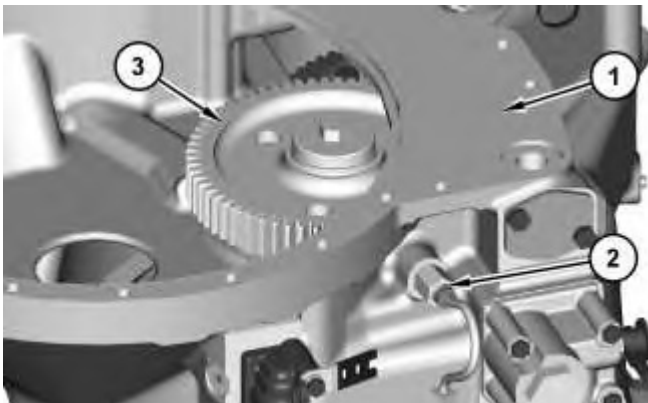


Illustration 2

g03569471

2. Remove torque converter speed sensor (2), the seal, and the washer.
 3. Remove gear (3) from torque converter assembly (1).
-



Illustration 3

g02139369

4. Remove bolts (4) and washers that hold the torque converter to the torque converter housing.
5. Remove O-ring seal (5).



Illustration 4

g02139386

6. Remove pump drive flange (6).

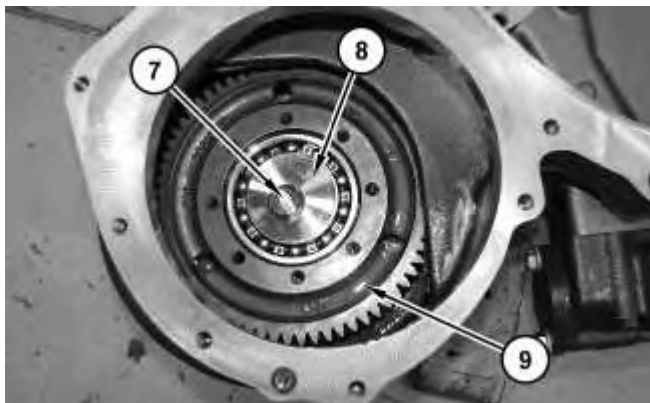


Illustration 5

g02139389

7. Remove bolt (7) and the washer that holds drive gear shaft (8) to the torque converter housing.
8. Remove drive gear shaft (8) from pump drive gear (9).



Illustration 6

g03355946

9. Use Tooling (A) and a suitable lifting device to torque converter housing (10). The weight of torque converter housing (10) is approximately 100 kg (220 lb). Use Tooling (A) and the suitable lifting device in order to remove torque converter housing (10).

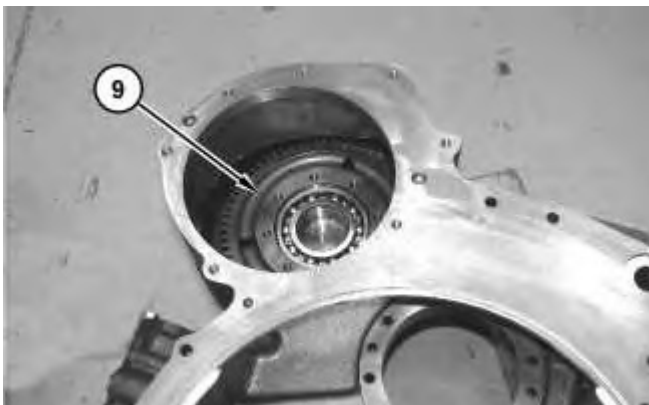


Illustration 7

g03356175

10. Remove pump drive gear (9) from the torque converter housing.



Thank you so much for reading.
Please click the “Buy Now!”
button below to download the
complete manual.



After you pay.

You can download the most
perfect and complete manual in
the world immediately.

Our support email:

ebooklibonline@outlook.com