



# Service Repair Manual

## **Models**

# 14M Motor Grader

---

Product: MOTOR GRADER

Model: 14M MOTOR GRADER R9J

Configuration: 14M Motor Grader R9J00001-UP (MACHINE) POWERED BY C11 Engine

## Disassembly and Assembly 14M Motor Grader Power Train

Media Number -REN8639-07

Publication Date -01/05/2017

Date Updated -16/05/2017

i07035129

# Service Brake (Wheel Spindle) - Assemble

SMCS - 4002-016

## Assembly Procedure

Table 1

Required Tools			
Tool	Part Number	Part Description	Qty
A	439-3939	Link Bracket As	2
B	1P-2420	Transmission Repair Stand	1
C	140-7742	Sleeve	2
F	169-0503	Installation Kit	1
	1U-8698 <sup>(1)</sup>	Duo-Cone Seal Installer As	1
	1U-6441 <sup>(2)</sup>	Duo-Cone Seal Installer As	1
G	6V-2055	Grease - High Vacuum	1
H	-	Loctite 5127	-
J	8T-4132	Nut	6
	-	M16 - 2.00 × 180mm Bolt	3
K	8T-4140	Bolt	4
L	-	Loctite 243	-

<sup>(1)</sup> For a Duo-cone Seal with a diameter of 160.09 ± 0.58 mm (6.303 ± 0.023 inch)

<sup>(2)</sup> For a Duo-cone Seal with a diameter of 191.26 ± 0.25 mm (7.529 ± 0.009 inch)

---

## NOTICE

**Keep all parts clean from contaminants.**

**Contaminants may cause rapid wear and shortened component life.**

---

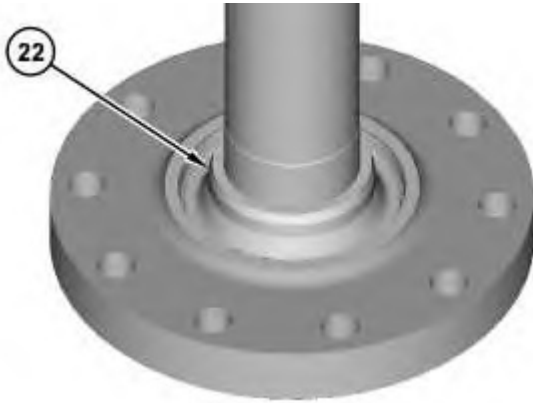


Illustration 1

g01378162

1. Install spacer (22).



Illustration 2

g01349477

2. Raise the temperature of bearing cone (21). Install bearing cone (21). Ensure that bearing cone (21) is seated correctly against the spacer.
-

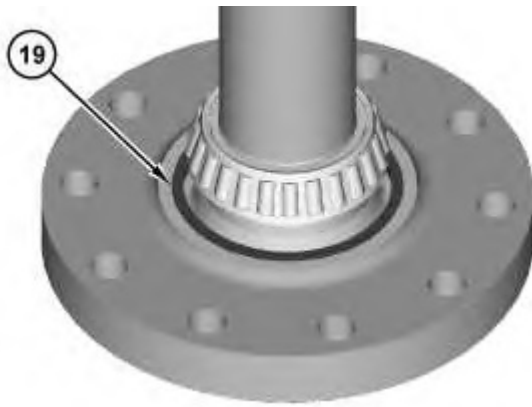


Illustration 3

g01349462

3. Use Tooling (F) to install the second half of Duo-Cone seal (19). Refer to Disassembly and Assembly, "Duo-Cone Conventional Seals - Install".

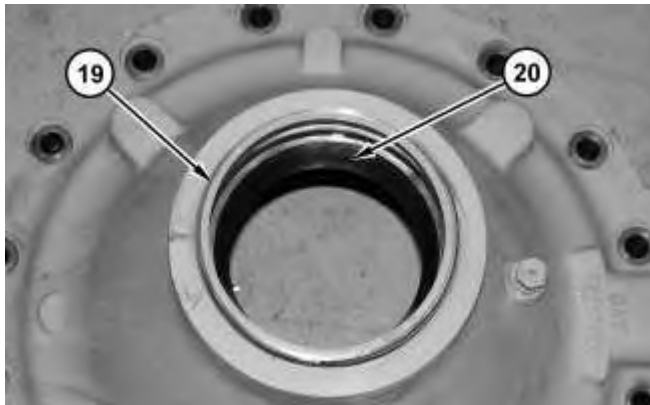


Illustration 4

g01349436

4. Lower the temperature of bearing cup (20). Install bearing cup (20). Ensure that bearing cup (20) is seated correctly. Use Tooling (F) to install the first half of Duo-Cone seal (19). Refer to Disassembly and Assembly, "Duo-Cone Conventional Seals - Install".

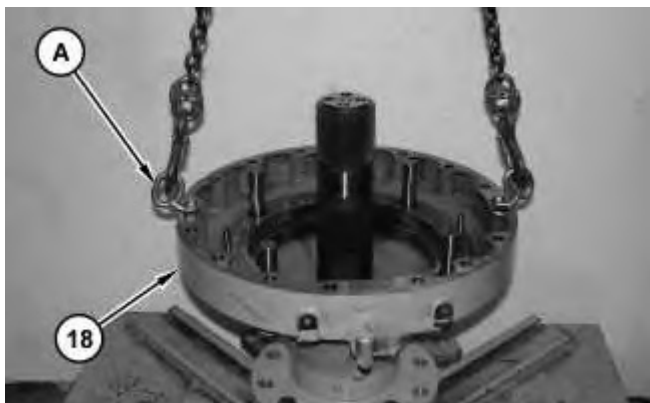


Illustration 5

g01349430



**Suggest:**

**If the above button click is invalid.**

**Please download this document**

**first, and then click the above link**

**to download the complete manual.**

**Thank you so much for reading**