

Product: MINI HYD EXCAVATOR

Model: 308E MINI HYD EXCAVATOR TAZ

Configuration: 308E Mini Hydraulic Excavator TAZ00001-UP (MACHINE) POWERED BY C3.3B Engine

Disassembly and Assembly C2.6 and C3.3B Engines for Caterpillar Built Machines

Media Number -UENR0137-11

Publication Date -01/08/2015

Date Updated -12/07/2018

i05242540

Crankshaft Rear Seal and Wear Sleeve - Remove - Includes Crankshaft Gear

SMCS - 1161-011; 7558-011

Removal Procedure

Start By:

- a. Remove the flywheel.

NOTICE

Keep all parts clean from contaminants.

Contaminants may cause rapid wear and shortened component life.

1. Place the engine at top dead center.



2. Use a screw driver to remove rear seal (1).



Illustration 2

3. Check the alignment of crankshaft gear (2) and camshaft gear (3). Remove crankshaft gear (2) and ring seal.

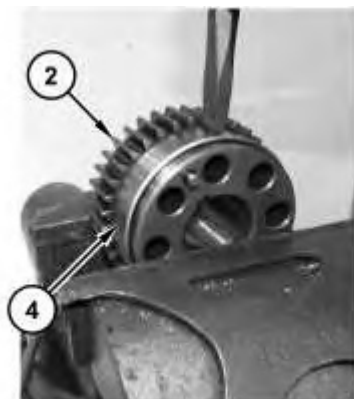


Illustration 3

4. Place crankshaft gear (2) with wear sleeve (4) in a suitable vice. Remove wear sleeve (4) with a suitable chisel.
-

Product: MINI HYD EXCAVATOR

Model: 308E MINI HYD EXCAVATOR TAZ

Configuration: 308E Mini Hydraulic Excavator TAZ00001-UP (MACHINE) POWERED BY C3.3B Engine

Disassembly and Assembly C2.6 and C3.3B Engines for Caterpillar Built Machines

Media Number -UENR0137-11

Publication Date -01/08/2015

Date Updated -12/07/2018

i05242547

Crankshaft Rear Seal and Wear Sleeve - Install - Includes Crankshaft Gear

SMCS - 1161-012; 7558-012

Installation Procedure

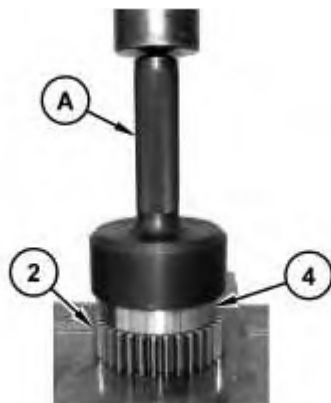
Table 1

Required Tools			
Tool	Part Number	Part Description	Qty
A	390-1146	Crankshaft Rear Seal and Wear Sleeve Driver ⁽¹⁾	1
	423-9665	Crank shaft Rear Seal and Wear Sleeve Driver ⁽²⁾	1

⁽¹⁾ Used for the C3.3B

⁽²⁾ Used for the C2.6

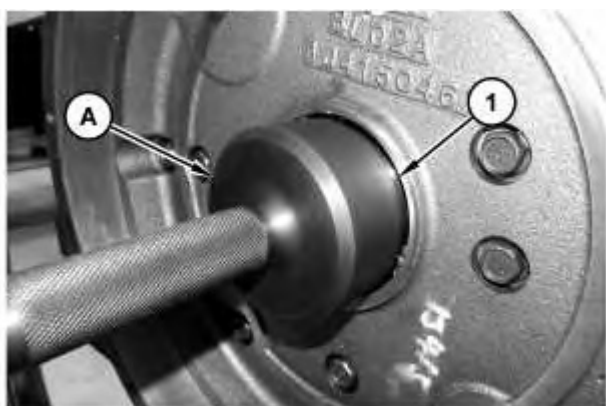
Note: Refer to Specification UENR0995 "Engine Design" for non-specified engine Torque Values.



1. Place wear sleeve (4) on crankshaft gear (2). Position Tooling (A). Use a suitable press and install wear sleeve (4).



2. Align crankshaft gear (2) with camshaft gear (3). Install crankshaft gear (2) into the flywheel housing.



3. Apply clean engine oil on the lip of crankshaft rear seal (1). Use Tooling (A) in order to install crankshaft rear seal (1).

End By:

- a. Install the flywheel.
-



Suggest:

If the above button click is invalid.

Please download this document

first, and then click the above link

to download the complete manual.

Thank you so much for reading