

Product: EXCAVATOR

Model: 329D2 EXCAVATOR SHJ

Configuration: 329D2 & 329D2 L Excavators SHJ00001-UP (MACHINE) POWERED BY C7.1 Engine

## Disassembly and Assembly

### C7.1 Engines

Media Number -UENR0633-19

Publication Date -01/07/2015

Date Updated -29/10/2018

i05292390

## Rear Power Take-Off (RPTO) - Remove

SMCS - 1165-011-RE

### Removal Procedure

Table 1

| Required Tools |             |                  |     |
|----------------|-------------|------------------|-----|
| Tool           | Part Number | Part Description | Qty |
| A              | 1P-0520     | Driver Group     | 1   |

#### Start By:

- a. Remove the flywheel. Refer to Disassembly and Assembly, "Flywheel - Remove" for the correct procedure.

---

#### NOTICE

**Keep all parts clean from contaminants.**

**Contaminants may cause rapid wear and shortened component life.**

---

1. If necessary, remove the OEM equipment from the rear power take-off (RPTO).
-

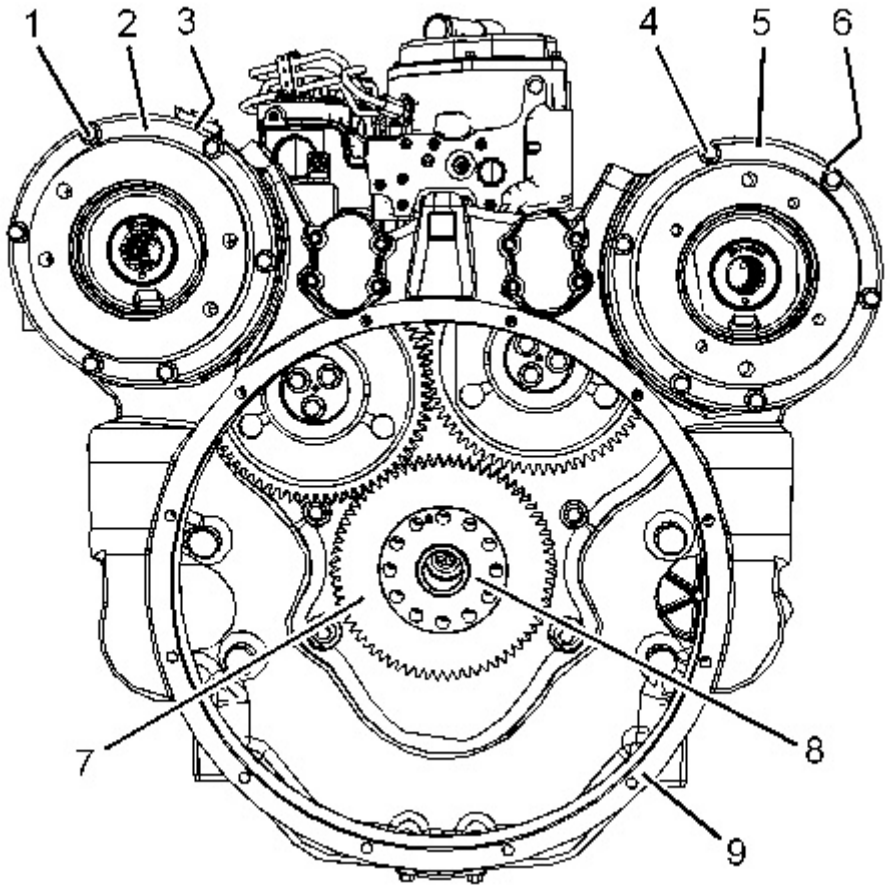


Illustration 1

g02069019

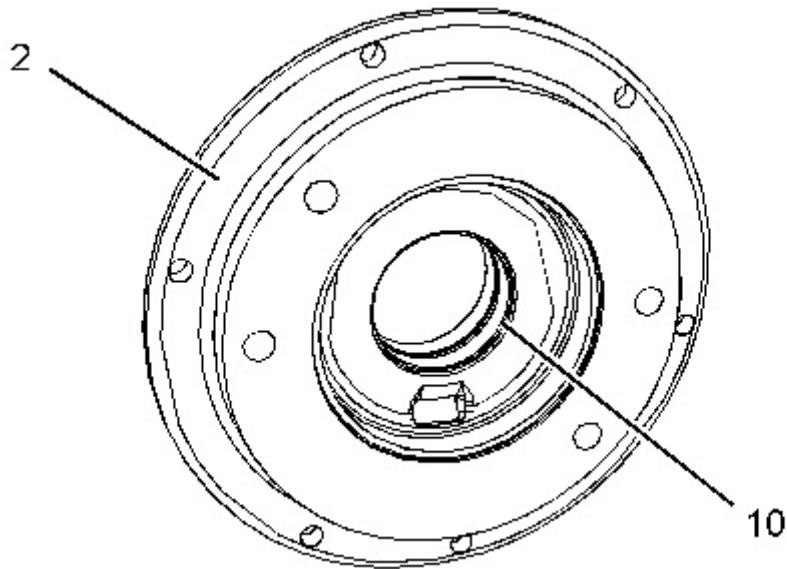


Illustration 2

g02069023

2. Remove bolts (1). Remove adapter (2) from flywheel housing (9). Remove O-ring seal (3) (not shown).

**Note:** Make a temporary mark on the adapter and the flywheel housing in order to show the correct orientation of the adapter.

3. Remove bolts (4). Remove adapter (5) from flywheel housing (9). Remove O-ring seal (6) (not shown).

**Note:** Make a temporary mark on the adapter and the flywheel housing in order to show the correct orientation of the adapter.

4. Remove gear (7) from crankshaft (8).
5. If necessary, follow Steps 9.a through Steps 9.c in order to remove the sleeve bearing from the adapter.
  - a. Place adapter (2) onto suitable support.
  - b. Use Tooling (A) and a suitable press in order to remove sleeve bearing (10) from adapter (2).
  - c. Repeat Steps 9.a through Step 9.b in order to remove the sleeve bearing from adapter (5).

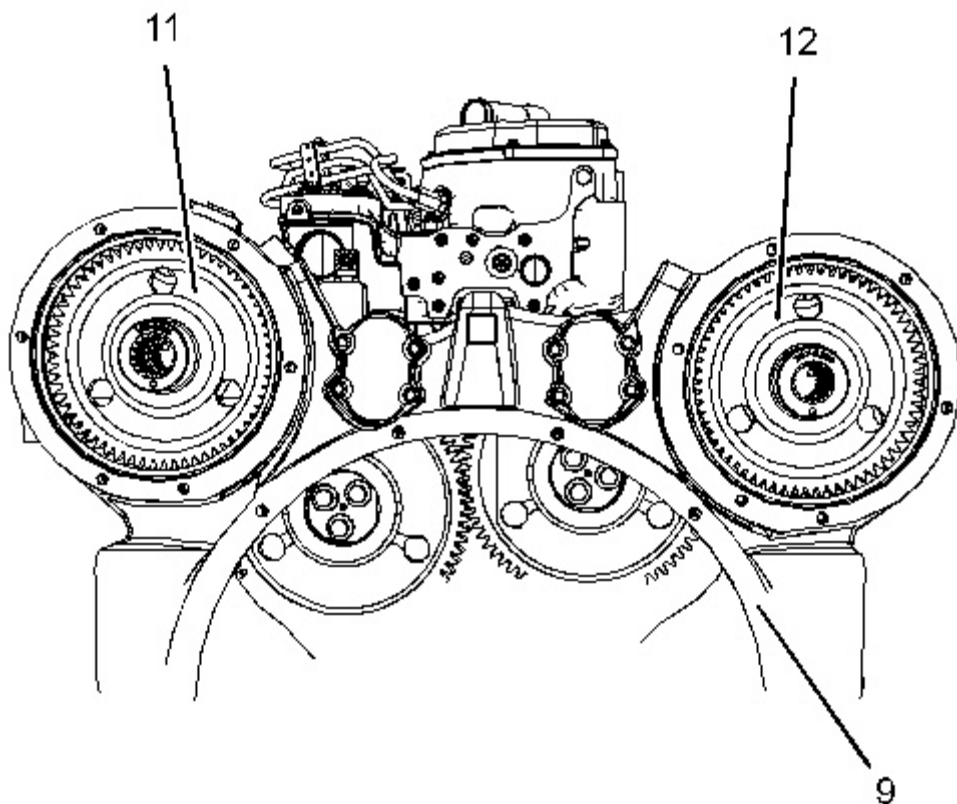
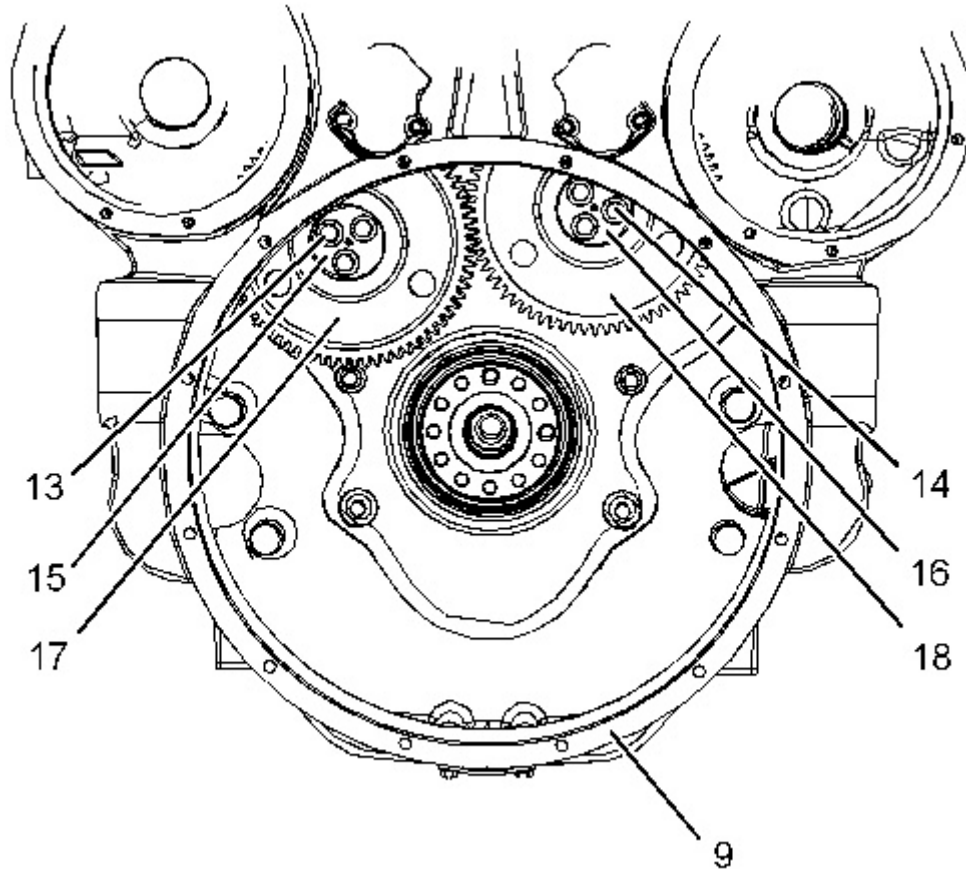


Illustration 3

g02069020

6. Remove gear assembly (11) and gear assembly (12) from flywheel housing (9).
-

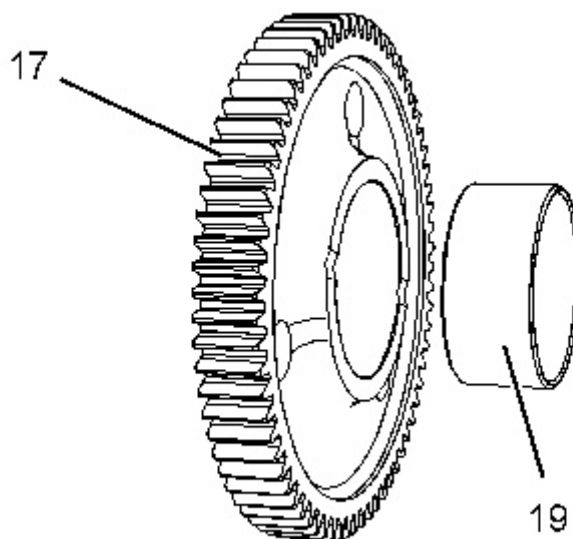


---

Illustration 4

g02069021

7. Remove bolts (13). Remove gear (17) and idler hub (15) from flywheel housing (9).
  8. Remove bolts (14). Remove gear (18) and idler hub (16) from flywheel housing (9).
- 



---

Illustration 5

g02069453



**Suggest:**

**If the above button click is invalid.**

**Please download this document**

**first, and then click the above link**

**to download the complete manual.**

**Thank you so much for reading**