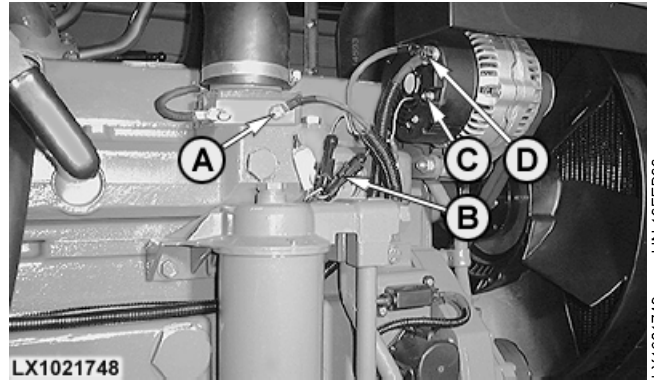


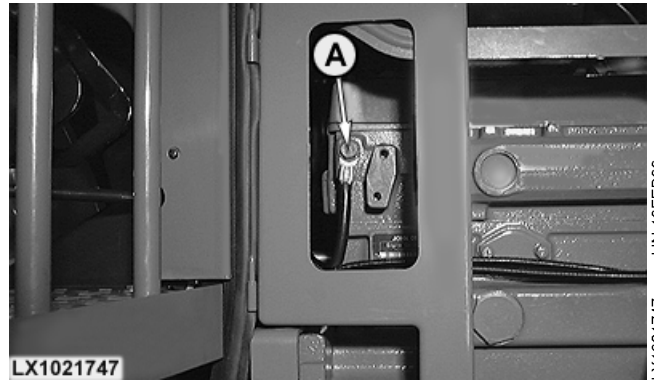
Break connections (A) to (D).



LX1021748 -JUN-19FEB99

LX,2000 019563-19-01FEB99

On the right of the engine block, unscrew ground cable (A).

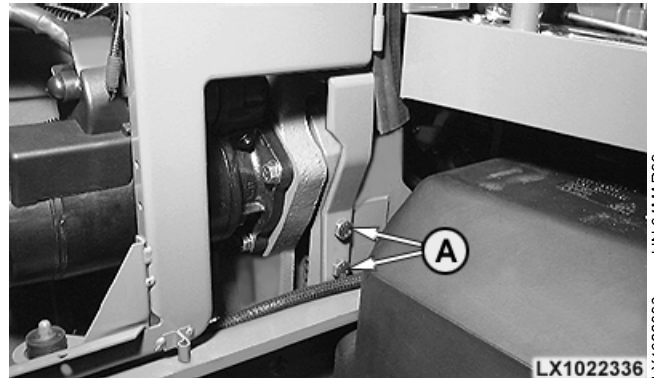


LX1021747 -JUN-19FEB99

6505 shown

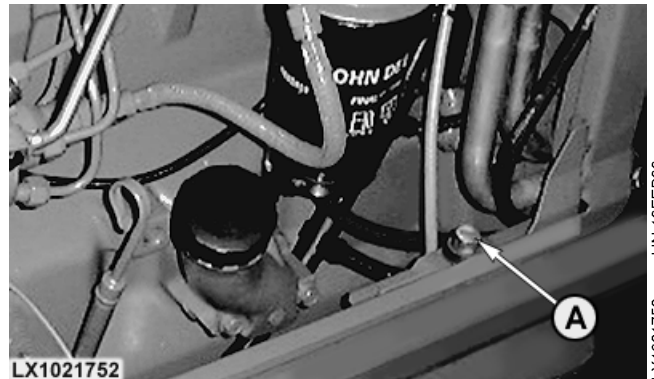
LX,2000 019564-19-01FEB99

Remove retaining nuts (A) from the left and right sides of the front frame.



LX1022336 -JUN-04MAR99

6505



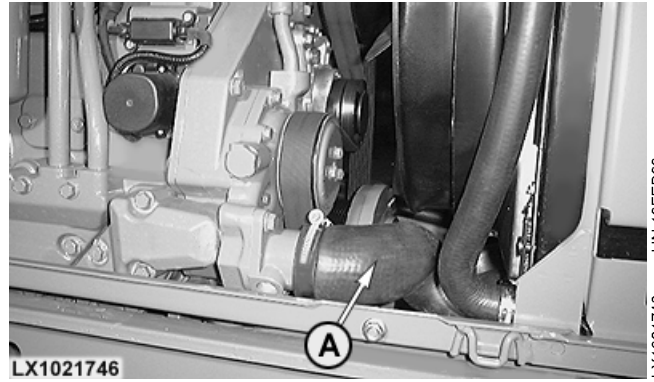
LX1021752 -JUN-19FEB99

6205

LX,2000 019565-19-01FEB99

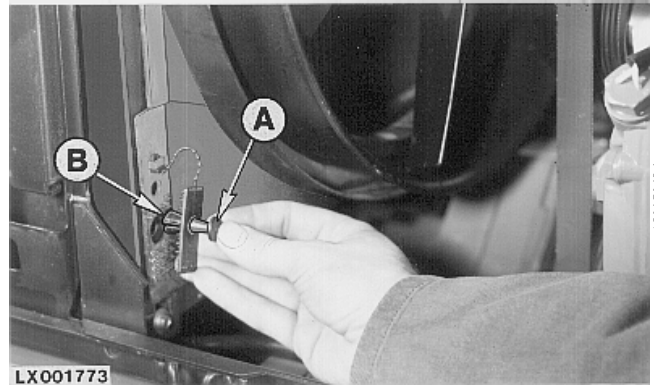
Engine Removal and Installation/Engine

Disconnect coolant hose (A) where it joins the coolant pump.



LX,2000 019566-19-01FEB99

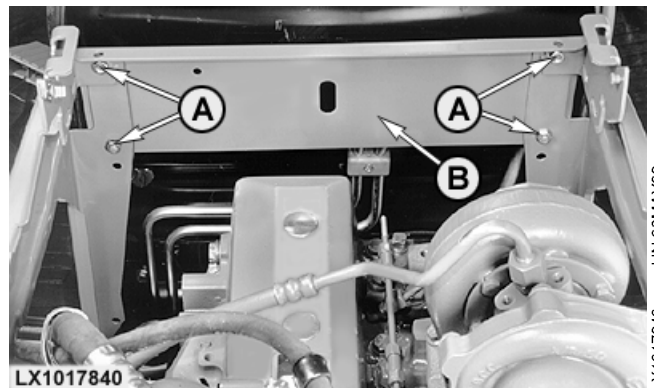
Loosen radiator air shroud by removing four pins (A) and then the expanding rivets (B).



LX,CRA20 002213-19-01OCT93

6205:

Take out screws (A) and remove cross-member (B).



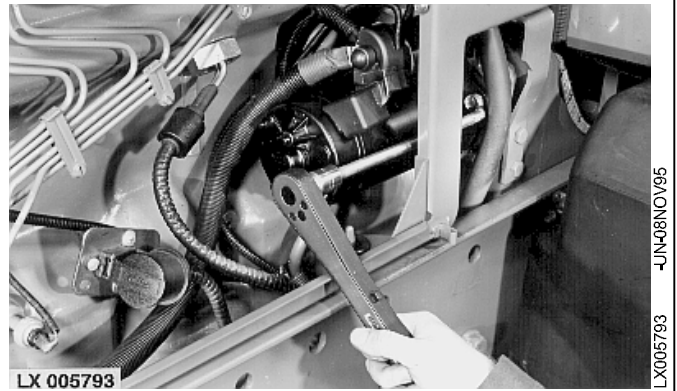
LX,2000 019567-19-01FEB99

Suspend the front frame from a suitable hoist and lift it off.

LX,2000AD013070-19-01NOV97

6505:

Use special tool KJD10213 to remove the starter motor.



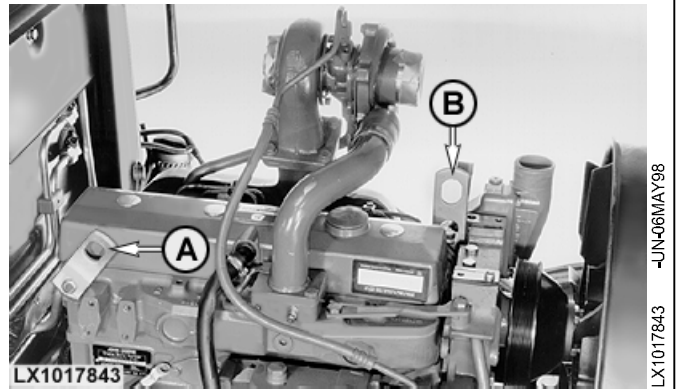
LX 005793

-JUN-08NOV95
LX005793

LX,2000 019568-19-01FEB99

Install suspension eyes (A) JD-244-2 and (B) JD-244-1.

Attach lifting tackle.

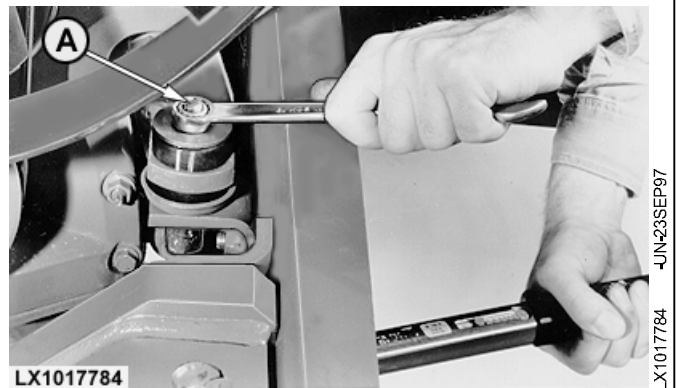


LX1017843

-JUN-06MAY98
LX1017843

LX,2000 019569-19-01FEB99

At both sides, take screw (A) out of the front engine mountings.



LX1017784

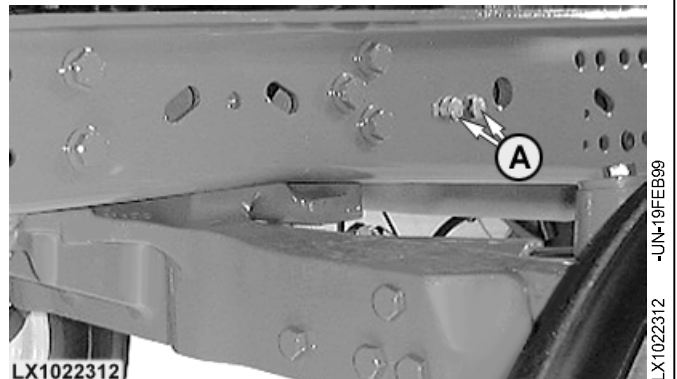
-JUN-23SEP97
LX1017784

LX,2000AD013638-19-01NOV97

6505:

In addition, take out screws (A) to enable the two front engine supports to be removed.

CAUTION: The engine must be secured to the lifting tackle **PROPERLY**. Avoid accidents!



LX1022312

-JUN-19FEB99
LX1022312

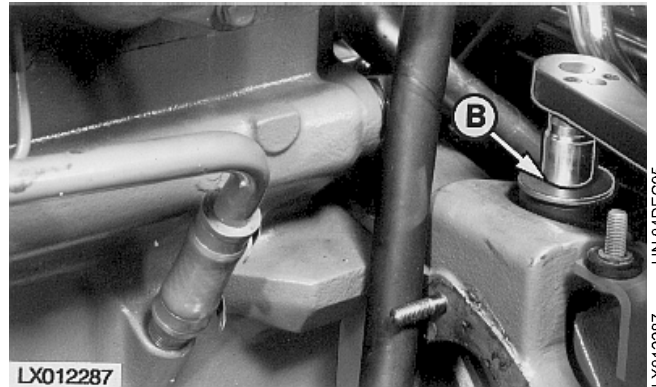
LX,2000 019570-19-01FEB99

At both sides, take screw (A) out of the rear engine mountings.



6205

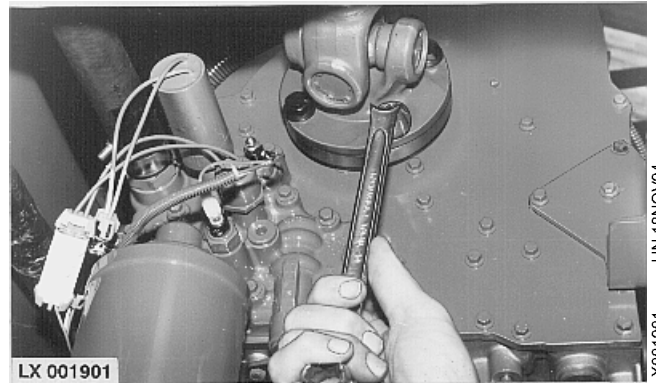
NOTE: Illustration shows rear engine mounting (B) on a 6505 tractor.



6505

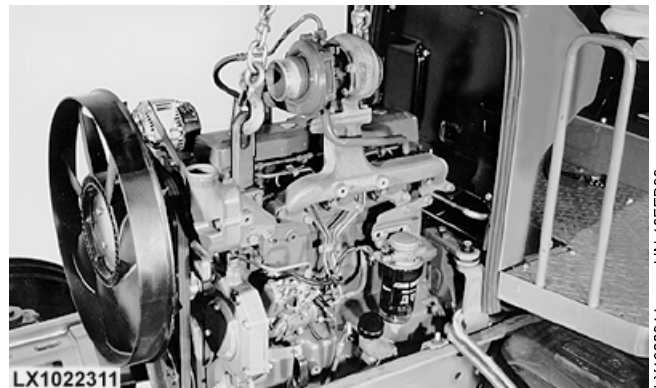
LX,2000 019571-19-01FEB99

Remove engine jointed shaft (see Section 56, Group 05).



LX,20,00 005097-19-01OCT93

Lift out the engine.



6205 shown

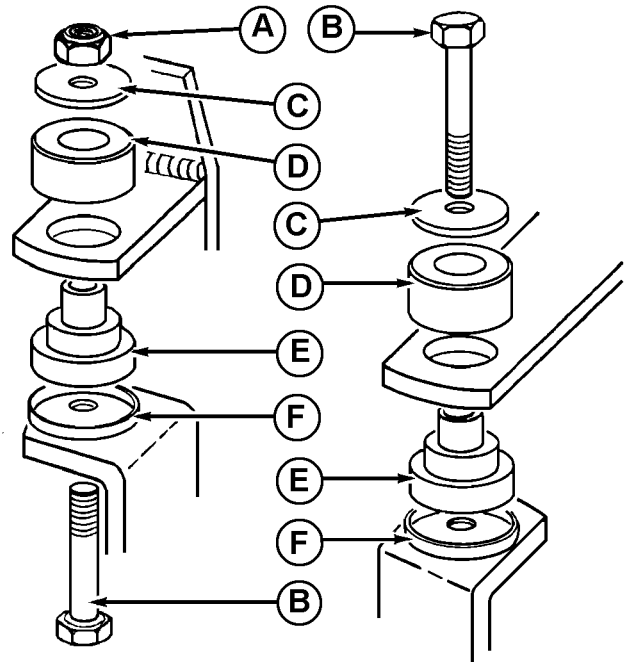
LX,2000 019572-19-01FEB99

INSTALLING THE ENGINE

6205 tractor:

As shown, install the engine mountings and lower the engine onto the main frame.

- A—Self-locking nut
- B—Cap screw
- C—Washer
- D—Rubber support pad
- E—Rubber support pad
- F—Supporting cup



LX1017787

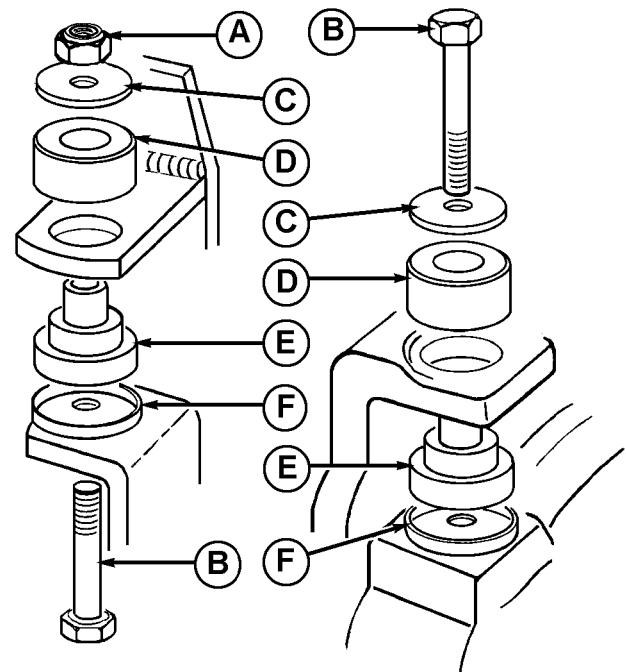
LX1017787 -JUN01OCT97

LX.2000 019573-19-01FEB99

6505 tractor:

As shown, install the engine mountings and lower the engine onto the main frame.

- A—Self-locking nut
- B—Cap screw
- C—Washer
- D—Rubber support pad
- E—Rubber support pad
- F—Supporting cup



LX1017791

LX1017791 -JUN21OCT97

LX.2000 019574-19-01FEB99



Suggest:

If the above button click is invalid.

Please download this document

first, and then click the above link

to download the complete manual.

Thank you so much for reading