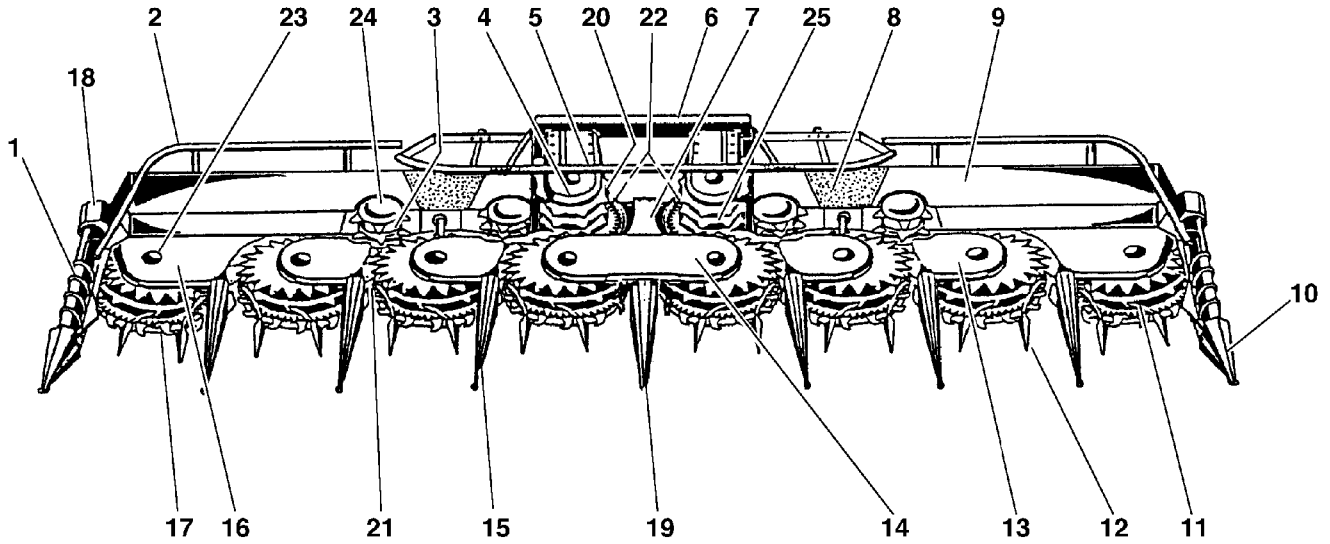


### COMPONENT LOCATION (PART 1)



ZX014361

688 harvesting unit shown

ZX.TM688R011261-19-01MAR99

ZX014361 -JUN-02MAY98

**Rotary Harvesting Unit**

- 1-Rotating divider
- 2-Feed bar
- 3-Cross feed drums
- 4-Feed drums
- 5-Feed bar (central)
- 6-Mounting frame
- 7-Guide plate between feed drums
- 8-Rubber flap
- 9-Feed plate
- 10-Outer stalk lifters
- 11-Gathering drums (left-or right turning)
- 12-Small dividers (outside)
- 13-Inner covering plate
- 14-Central covering plate
- 15-Large dividers
- 16-Outer covering plate
- 17-Cutting rotor (rotary cutting blade)
- 18-Rotating divider drive
- 19-Center divider
- 20-Scrapers of feed drums
- 21-Scrapers of gathering drums

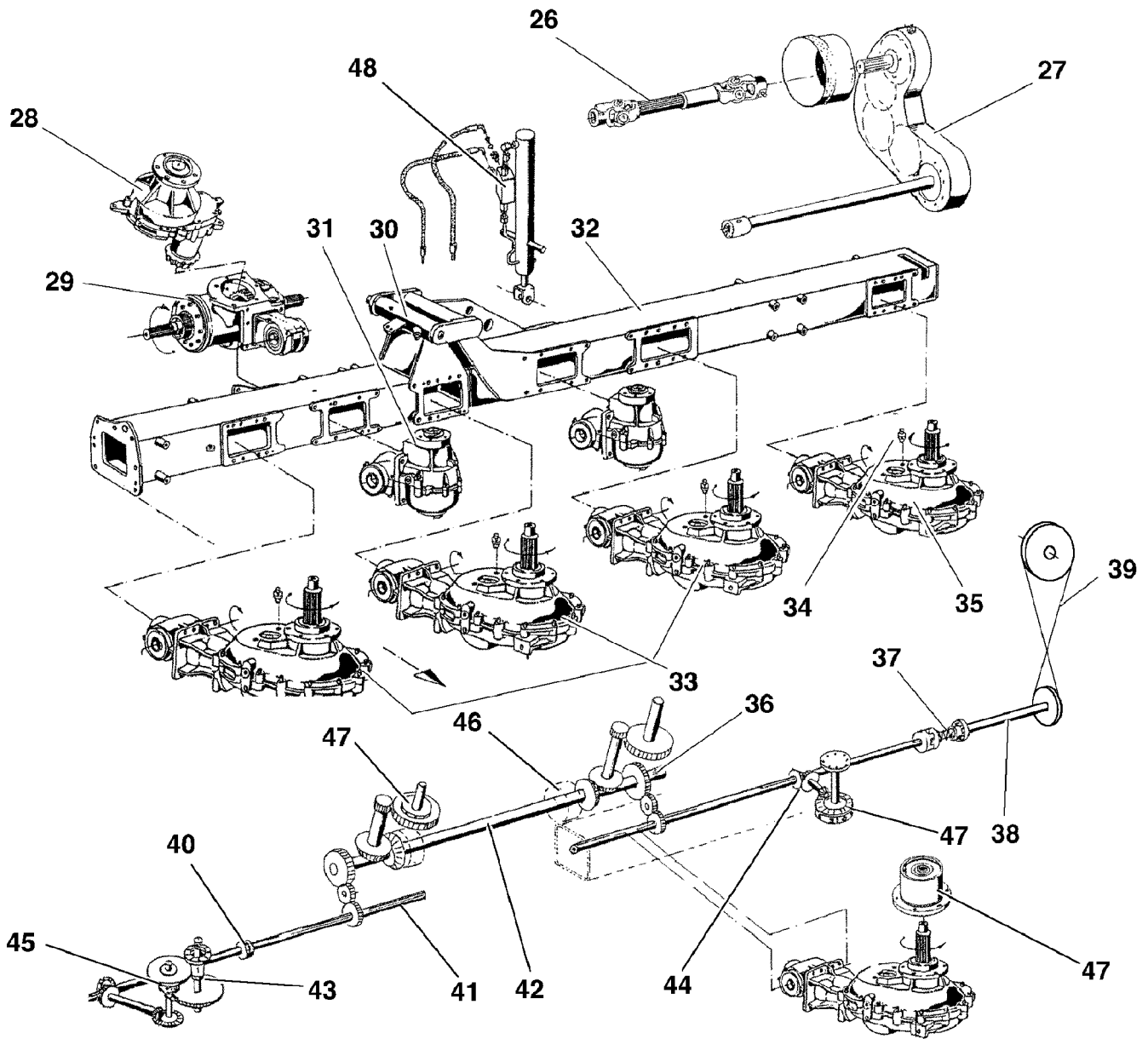
**Clutches**

- 22-Friction clutches of main drive
- 23-Radial-pin clutch of gathering drums
- 24-Radial-pin clutch of cross feed drums
- 25-Radial-pin clutch of feed drums

*Continued overleaf*

ZX, TM686R013521-19-01MAR99

### COMPONENT LOCATION (PART 2)



ZX014362

688 harvesting unit shown

ZX\_TM688R011263-19-01MAR99

ZX014362 -JUN-02MAY98

**Main Transmission (U-Joint Shaft)**

26-Main transmission (U-joint shaft)

**Frame/Gear Case**

- 27-L-gear case
- 28-Feed drum gear case
- 29-Feed drum transmission (left-right)
- 30-Hinge
- 31-Cross feed drum gear case
  - (4 on 688, 2 on 686)
- 32-Foldable frame
- 33-Gathering drum gear case (left turning)
  - (4 on 688, 3 on 686)
- 34-Breather
- 35-Gathering drum gear case (right turning)
  - (4 on 688, 3 on 686)
- 36-Main drive shaft
- 37-Spring (hinges)
- 38-Hexagonal shaft outer side
- 39-V-belt for rotating crop divider (downed crops)
- 40-Claw-type clutch
- 41-Hexagonal shaft inner side
- 42-Connecting shaft for main drive
- 43-Spur gear angle drive
- 44-Bevel gear drive

**Friction Disk Brake Mechanisms**

45-Brake mechanism for gathering drum

**Clutches**

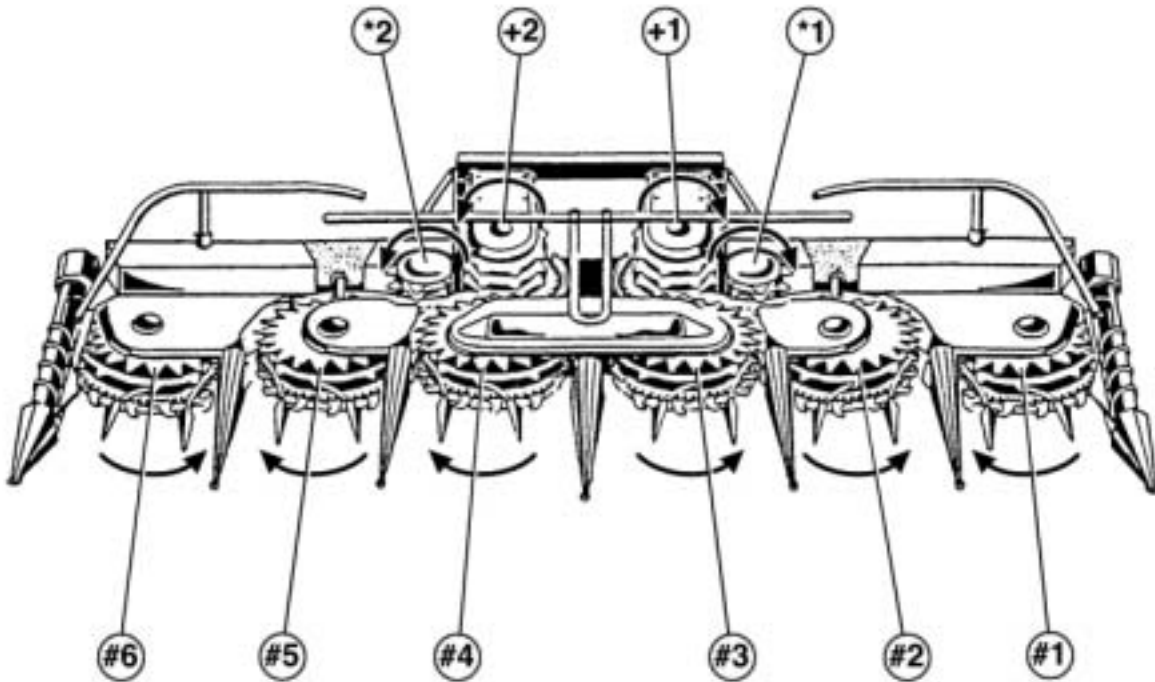
- 46-Friction clutch
- 47-Radial-pin clutch

**Hydraulics**

48-Hydraulic cylinder with safety valve

ZX.TM686R013522-19-01MAR99

## 686 HARVESTING UNIT DRUM NUMBERING



ZX017148

**IMPORTANT:** This harvesting unit drum numbering will be used as a reference throughout this Technical Manual.

### Gathering Drums (#):

- (#1)-Gathering drum No. 1-Right turning
- (#2)-Gathering drum No. 2-Left turning
- (#3)-Gathering drum No. 3-Left turning
- (#4)-Gathering drum No. 4-Right turning
- (#5)-Gathering drum No. 5-Right turning
- (#6)-Gathering drum No. 6-Left turning

Right turning means: Clockwise

Left turning means: Anti-clockwise

### Cross Feed Drums (\*):

- (\*1)-Cross feed drum No. 1-Right turning
- (\*2)-Cross feed drum No. 2-Left turning

### Feed Drums (+):

- (+1)-Feed drum No. 1-Right turning
- (+2)-Feed drum No. 2-Left turning

*NOTE: Numbers shown above must not be used when ordering drum replacement parts. Always refer to the relevant parts catalog.*

ZX.TM686R013524-19-01MAR99



**Suggest:**

**If the above button click is invalid.**

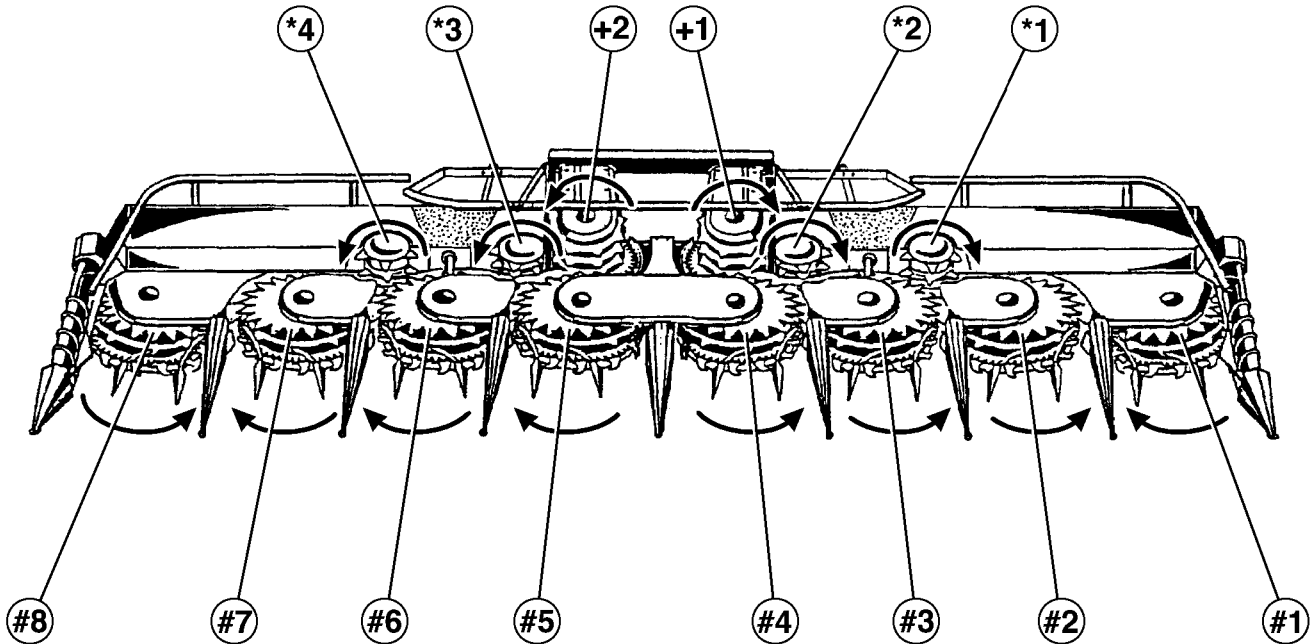
**Please download this document**

**first, and then click the above link**

**to download the complete manual.**

**Thank you so much for reading**

## 688 HARVESTING UNIT DRUM NUMBERING



ZX014405

**IMPORTANT:** This harvesting unit drum numbering will be used as a reference throughout this Technical Manual.

### Gathering Drums (#):

- (#1)-Gathering drum No. 1-Right turning
- (#2)-Gathering drum No. 2-Left turning
- (#3)-Gathering drum No. 3-Left turning
- (#4)-Gathering drum No. 4-Left turning
- (#5)-Gathering drum No. 5-Right turning
- (#6)-Gathering drum No. 6-Right turning
- (#7)-Gathering drum No. 7-Right turning
- (#8)-Gathering drum No. 8-Left turning

Right turning means: Clockwise

Left turning means: Anti-clockwise

### Cross Feed Drums (\*):

- (\*1)-Cross feed drum No. 1-Right turning
- (\*2)-Cross feed drum No. 2-Right turning
- (\*3)-Cross feed drum No. 3-Left turning
- (\*4)-Cross feed drum No. 4-Left turning

### Feed Drums (+):

- (+1)-Feed drum No. 1-Right turning
- (+2)-Feed drum No. 2-Left turning

*NOTE: Numbers shown above must not be used when ordering drum replacement parts. Always refer to the relevant parts catalog.*

ZX.TM688R011262-19-01MAR99