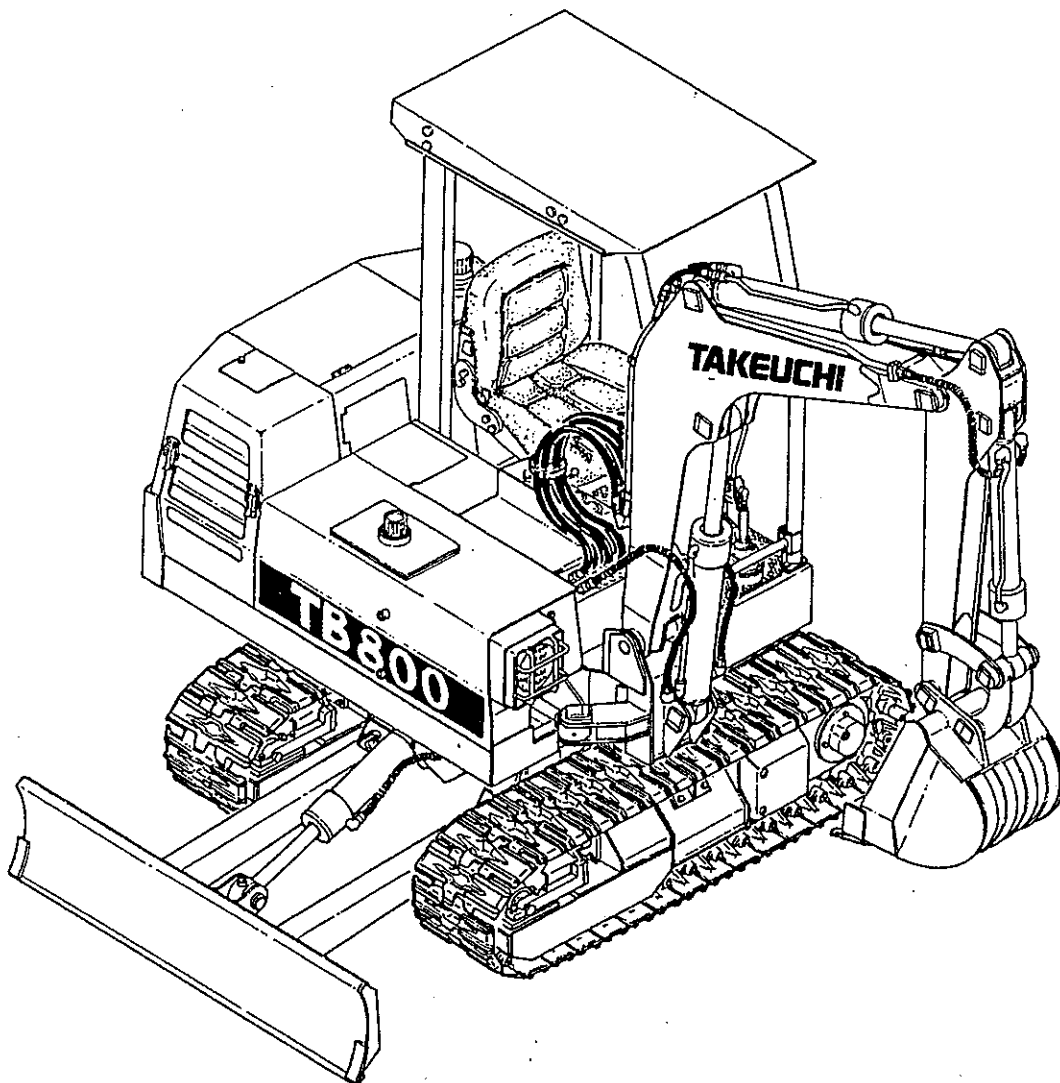


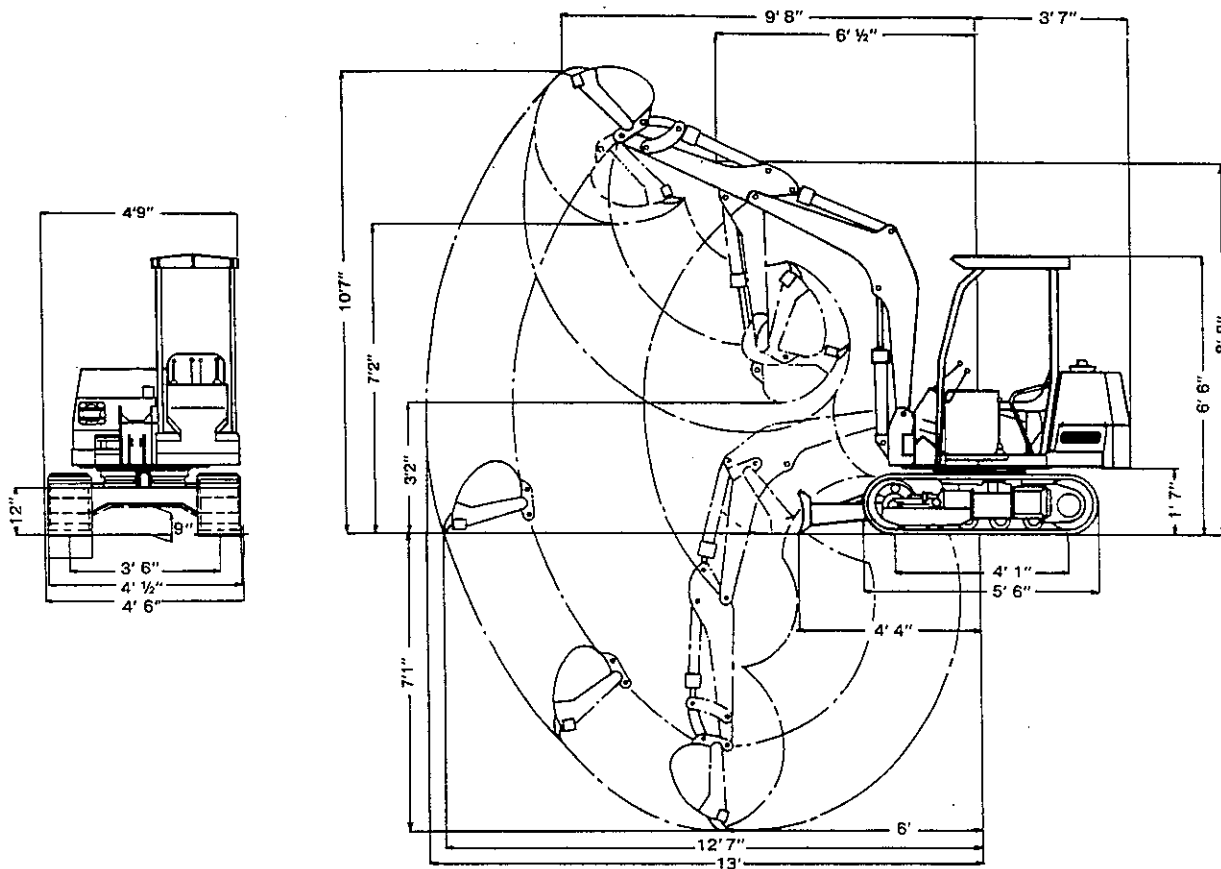
TAKEUCHI

PARTS CATALOG

MODEL **TB800**



TAKEUCHI MFG.CO.,LTD.



TAKEUCHI TB-800 SPECIFICATIONS

DIMENSIONS

Overall height (transporting position)	6'6"	1945mm
Overall length (transporting position)	12'5"	3800mm
Overall width	4'9"	1466mm

BUCKET

Standard bucket	13.78"-2.70 cft	350mm-0.08m ³
Optional bucket	10.24"-1.89 cft	260mm-0.05m ³
	17.72"-3.51 cft	450mm-0.10m ³
	19.69"-4.32 cft	500mm-0.12m ³
	23.62"-5.40 cft	600mm-0.15m ³

WEIGHT

Complete machine operating weight	4366 lbs.	1980 kg
Ground Pressure	3.14 lbs/sq. in.	0.24 kb/cm ²

PERFORMANCE

Travel speed	0.95 m.p.h.	1.5 km/h
Superstructure rotation speed	8.1 r.p.m.	
Swingability	30°	
Maximum digging force (at bucket tooth)	3616 lbs	1640 kg
Maximum digging force (at stick boom)	2425 lbs.	1100 kg

WORKING RANGES

Maximum depth of cut	7'1"	2150mm
Maximum dumping height	7'2"	2200mm

DOZER BLADE

Width	55"	1400mm
Height	11.81"	300mm

HYDRAULIC UNIT

Maximum relief pressure set	1990 p.s.i.	140 kg/cm ²
Hydraulic pump & capacity	gear pump 5.97 gal/min x 2 pumps	
Hydraulic pump & discharge capacity	gear pump 5.97 gal/min x 2 pumps	22.6 L/min x 2 pumps

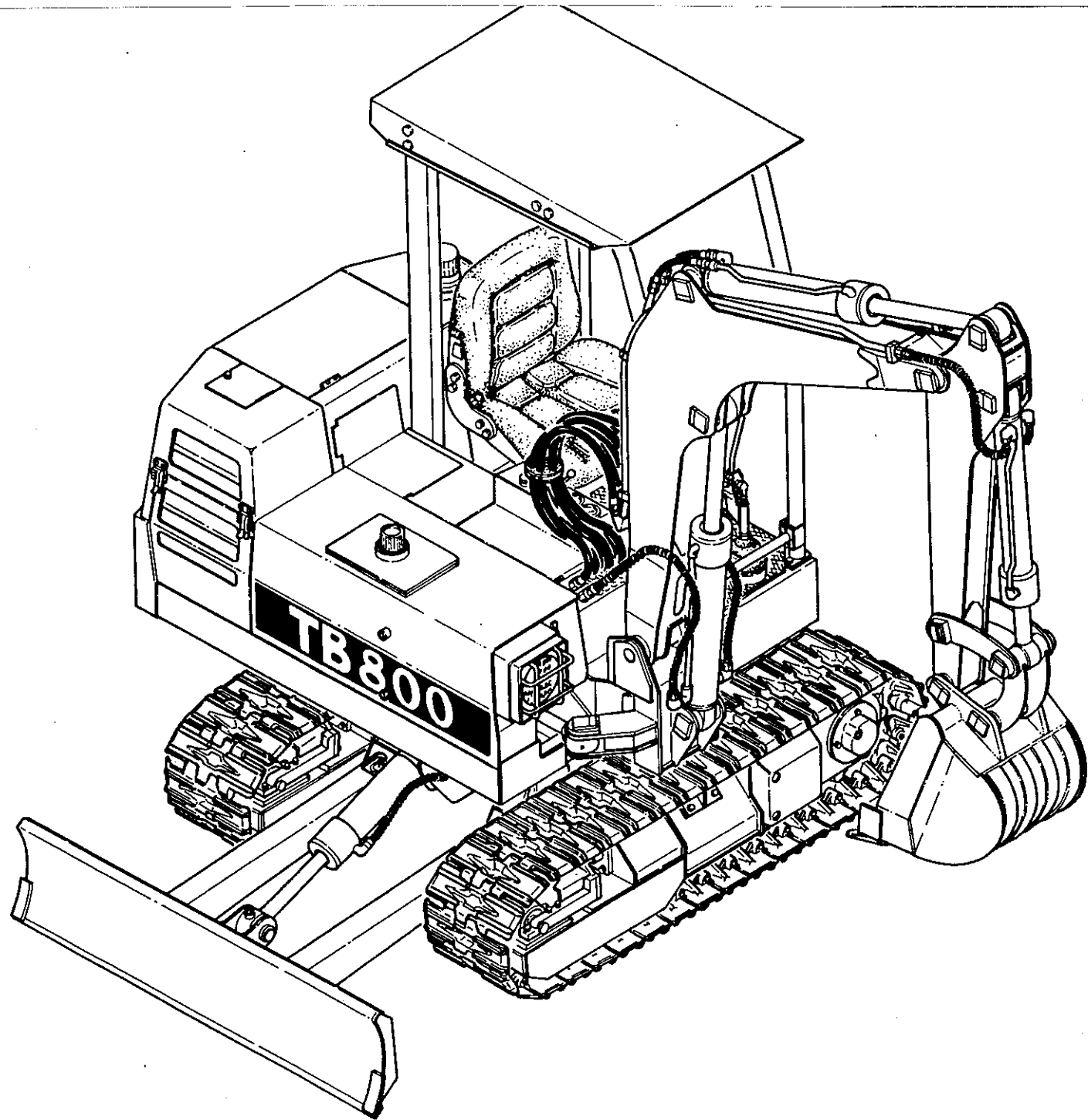
ENGINE

Make & model	Yanmar 3T72L-TB	
Rated output	17 hp/2400 r.p.m.	
Total displacement	54.4 cubic inches	890 cc
Maximum torque	40.50 ft.lbs.	5.6 kg-m
Cylinder number	3	
Cylinder bore x stroke	2.83 in. x 2.83 in.	72mm x 72mm
Compression ratio	23	
Fuel consumption	0.64 gal/h	170 g/hp-hr
Fuel tank capacity	7.40 gal.	29 L

Distributor:

Takeuchi Mfg. (U.S.), Ltd.

Northeast Atlanta Industrial Park, 4400-E Bankers Circle, Atlanta, GA 30360
Telephone: (404) 447-6670



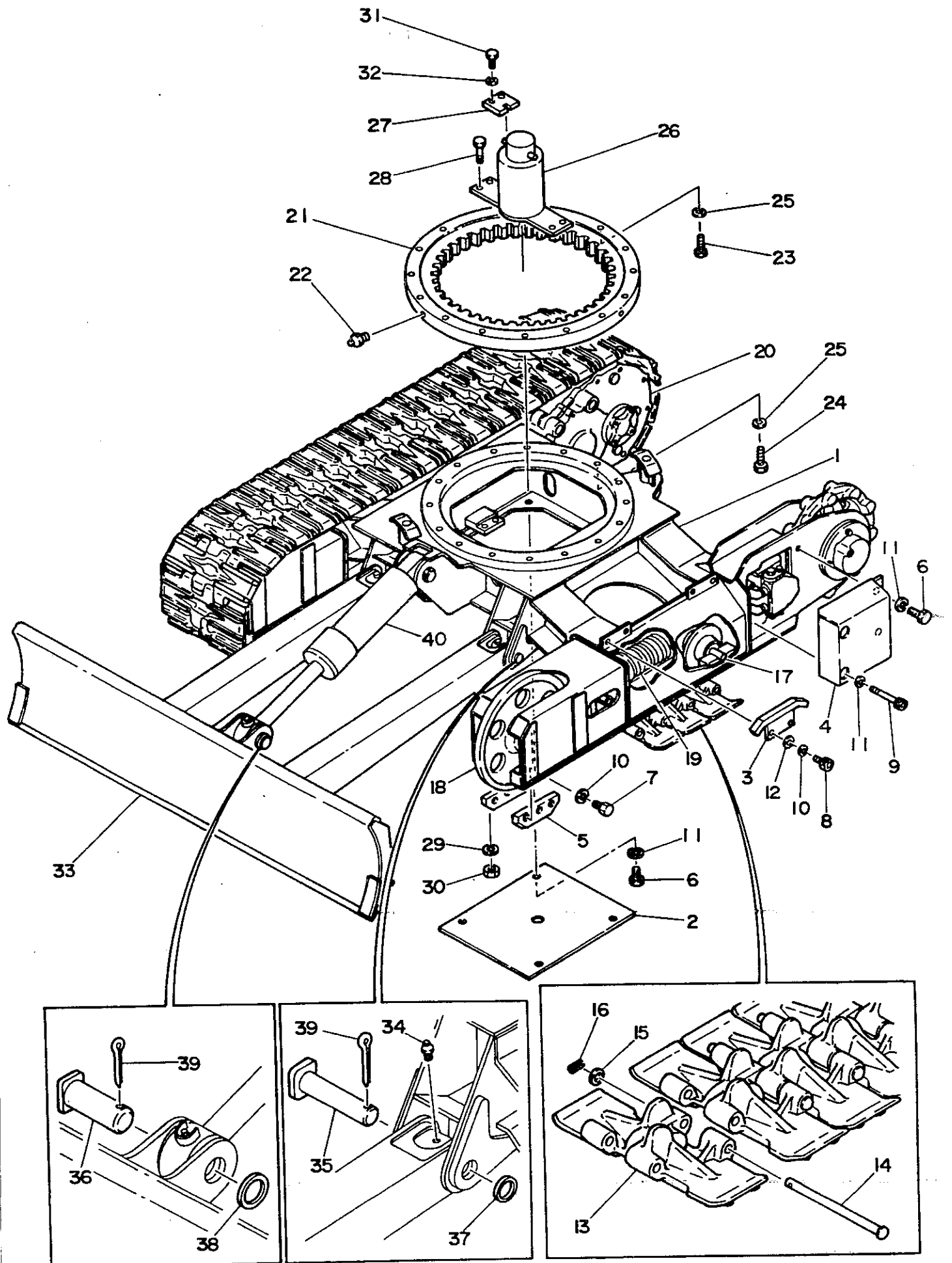
INDEX

FIG. 01	
FIG. 02	LOWER MACHINE
FIG. 03	TRACK ROLLER
FIG. 04	FRONT IDLER
FIG. 05	TRACK TENSION
FIG. 06	TRACK GEARBOX
FIG. 07	PIPING, LOWER
FIG. 08	TURNTABLE
FIG. 09	SLEW GEARBOX
FIG. 10	PIPING, UPPER
FIG. 11	HYDRAULIC TANK
FIG. 12	FUEL TANK
FIG. 13	CONTROL LEVER
FIG. 14	CONTROL BOX
FIG. 15	ENGINE CONTROL
FIG. 16	ENGINE & ACCESSORIES
FIG. 17	PUMP DRIVE
FIG. 18	ELECTRICAL
FIG. 19	COVER
FIG. 20	SEAT
FIG. 21	CANOPY
FIG. 22	HOE
FIG. 23	BUCKET

INDEX

- FIG. 24 PIPING, HOE
FIG. 25 STICKER
FIG. 26 TOOL
- FIG. 27 SWIVEL JOINT
FIG. 28 CONTROL VALVE
FIG. 29 BOOM CYLINDER
FIG. 30 ARM CYLINDER
FIG. 31 BUCKET CYLINDER
FIG. 32 BLADE CYLINDER
FIG. 33 SWING CYLINDER
FIG. 34 HYDRAULIC MOTOR
FIG. 35 CB VALVE & DS VALVE
FIG. 36 C. S. VALVE
FIG. 37 HYDRAULIC PUMP
- FIG. 38 TRIANGULAR SHOE
FIG. 39 RUBBER SHOE
FIG. 40 BUCKET
FIG. 41 EJECTOR BUCKET

FIG. 02 LOWER MACHINE



Item	PARTS NUMBER	DESCRIPTION	Q'ty	REMARKS
1	00910-28100	FRAME	1	
2	00810-01300	COVER	1	
3	00810-01100	SLIDE	4	
4	00810-10300	COVER	2	
5	00910-28200	GUIDE	4	
6	11000-41015	BOLT	8	
7	11000-51030	BOLT	12	
8	11100-51020	BOLT, Socket	8	
9	11101-51000	BOLT, Socket	4	
10	11400-10010	WASHER, Spring	20	
11	11400-20010	WASHER, Spring	12	
12	11411-10010	WASHER, Plain	8	
0-1	19140-01300	SHOE ASSY, Track	2	
13	19140-01101	★SHOE	36	
14	19140-00102	★PIN, Track	36	
15	19140-00103	★WASHER	36	
16	12130-00620	★PIN, Spring	36	
17	01613-90000	ROLLER ASSY, Track	8	
18	00814-90000	IDLER ASSY, Front	2	
19	00815-90000	TENSION, Track	2	
20	00916-90000	GEARBOX, Track	2	
21	19130-24000	BEARING, Slew	1	
22	15600-10001	★NIPPLE, Grease	4	
23	11010-51260	BOLT	16	
24	11000-51255	BOLT	16	

NOTE #257 ~

Item	PARTS NUMBER	DESCRIPTION	Q'ty	REMARKS
25	11415-40012	WASHER	32	
26	19040-01900	JOINT, Swivel	1	
27	01321-04100	STOPPER	1	
28	11010-51245	BOLT	4	
29	11400-10012	WASHER, Spring	4	
30	11305-40012	NUT	4	
31	11010-51430	BOLT	2	
32	11400-10014	WASHER, Spring	2	
33	00963-10100	BLADE	1	
34	15600-01675	NIPPLE, Grease	2	
35	00010-30144	PIN	2	
36	00010-40106	PIN	2	
37	00030-30000	COLLAR	AR	
	00030-30001	COLLAR	AR	
	00030-30002	COLLAR	AR	
	00030-30003	COLLAR	AR	
	00030-30004	COLLAR	AR	
	00030-30005	COLLAR	AR	
38	00030-40000	COLLAR	AR	
	00030-40001	COLLAR	AR	
	00030-40002	COLLAR	AR	
	00030-40003	COLLAR	AR	
	00030-40004	COLLAR	AR	
	00030-40005	COLLAR	AR	
39	12100-00850	PIN, Split	4	

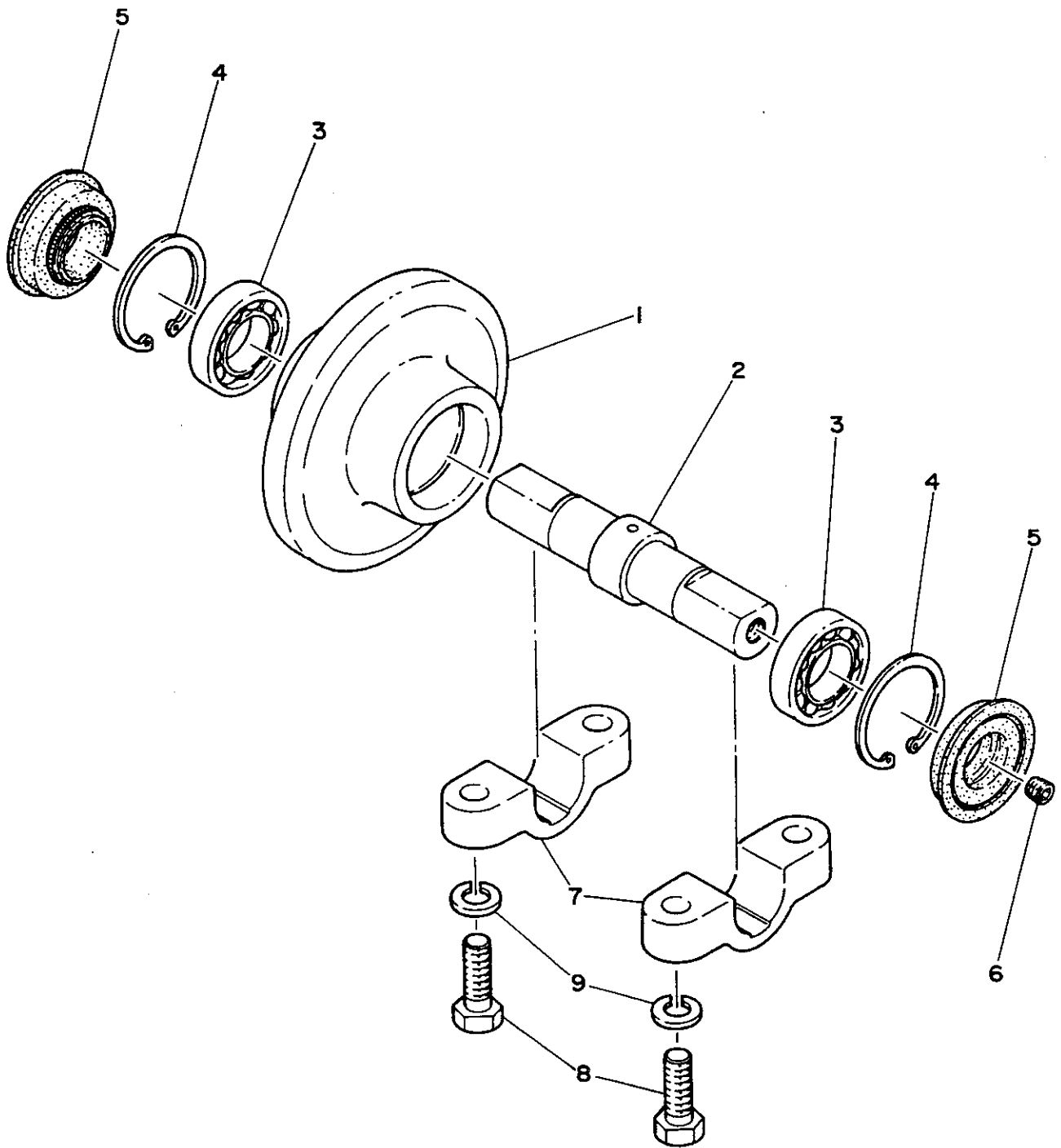
NOTE #257 ~

Item	PARTS NUMBER	DESCRIPTION	Q'ty	REMARKS
40	19000-09500	CYLINDER, Blade	1	

NOTE

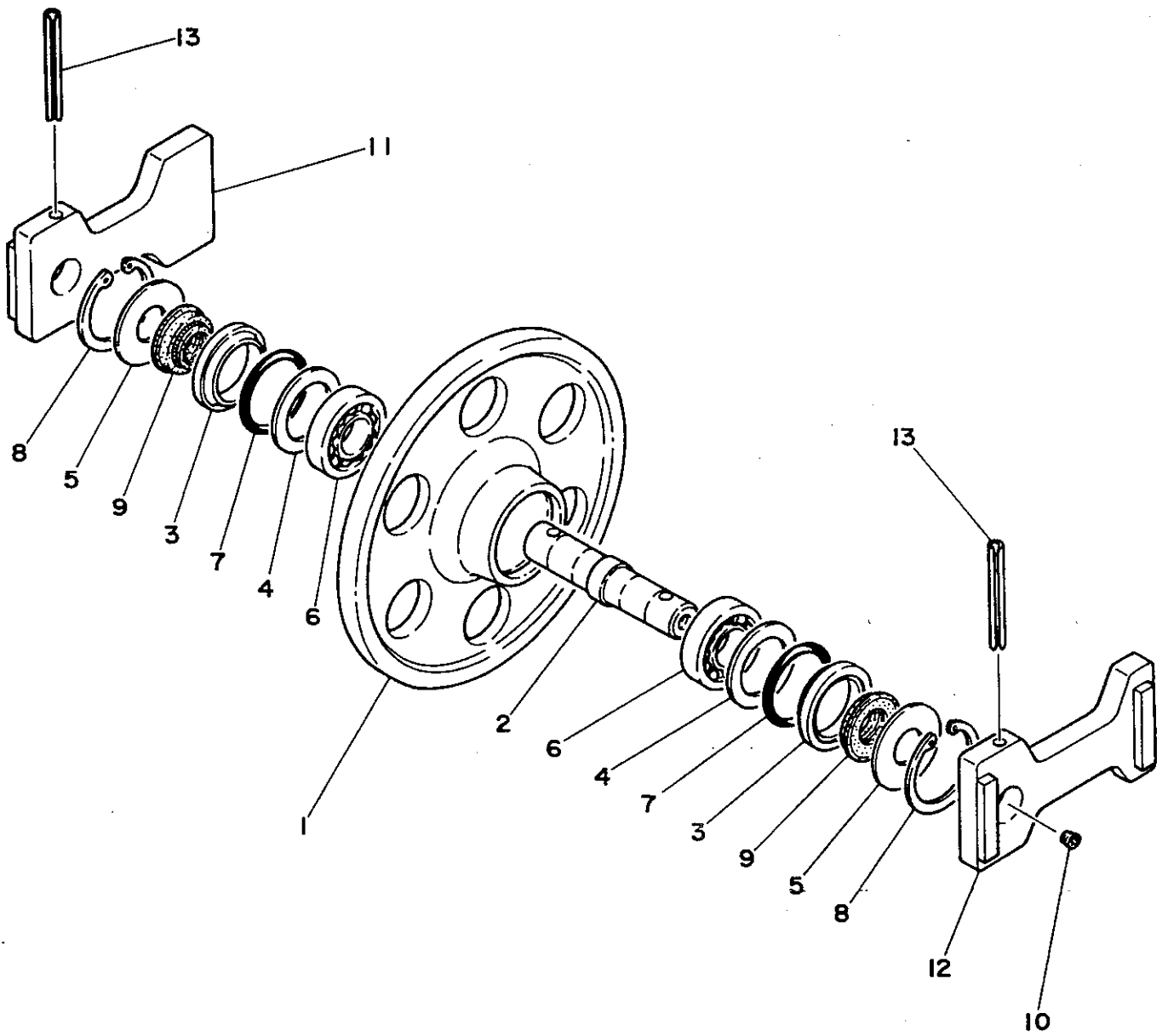
#257 ~

FIG. 03 TRACK ROLLER



Item	PARTS NUMBER	DESCRIPTION	Q'ty	REMARKS
0-1	01613-90000	ROLLER ASSY, Track	8	
1	01613-08100	★ROLLER	1	
2	01613-08200	★SHAFT	1	
3	13000-06006	★BEARING	2	
4	12210-00055	★RING, Snap	2	
5	14312-03055	★SEAL, Oil	2	
6	15018-20001	★PLUG	1	
7	01613-08300	BRACKET	16	
8	11010-51235	BOLT	32	
9	11400-10012	WASHER, Spring	32	

FIG. 04 FRONT IDLER

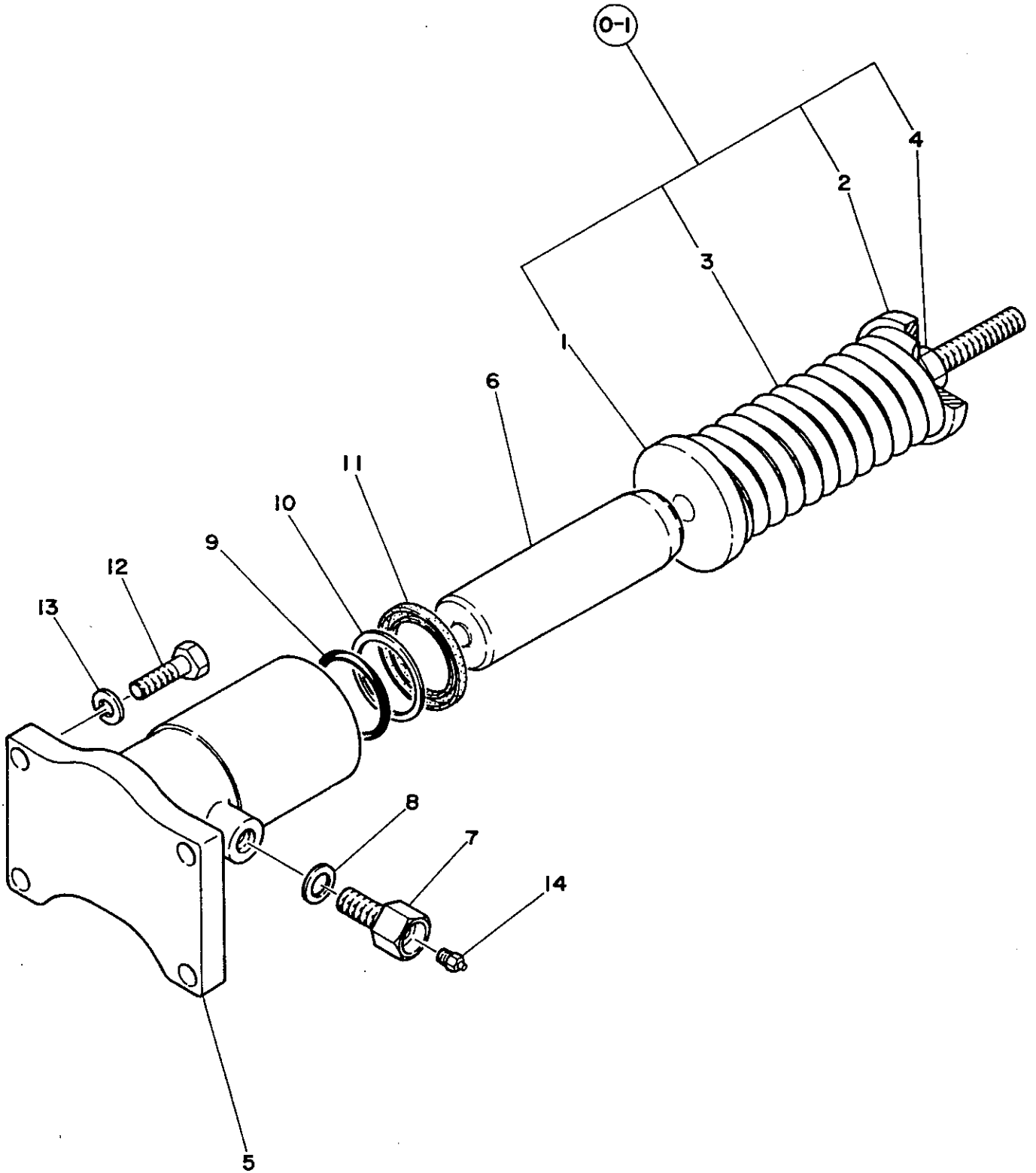


Item	PARTS NUMBER	DESCRIPTION	Q'ty	REMARKS
0-1	00814-90000	IDLER ASSY, Front	2	
1	00814-00100	★IDLER	1	
2	00814-00200	★SHAFT	1	
3	01614-15600	★COLLAR	2	
4	01614-16300	★WASHER	2	
5	00036-36002	★WASHER	2	
6	13000-06307	★BEARING	2	
7	14200-00700	★O-RING	2	
8	12210-00080	★RING, Snap	2	
9	14312-03562	★SEAL, Oil	2	
10	15018-20001	★PLUG	1	
11	00814-00300	BLOCK (R. H.)	2	
12	00814-00400	BLOCK (L. H.)	2	
13	12131-01010	PIN, Spring	4	

NOTE

#4 ~

FIG. 05 TRACK TENSION



Item	PARTS NUMBER	DESCRIPTION	Q'ty	REMARKS
0-1	00815-90000	CUSHION ASSY	2	
1	00815-00400	★ROD ASSY	1	
2	00815-00500	★SEAT, Spring	1	
3	01615-06100	★SPRING	1	
4	11305-50016	★NUT	1	
5	00815-00100	CYLINDER (R. H.), Grease	1	
5-1	00815-00200	CYLINDER (L. H.), Grease	1	
6	02215-20300	PISTON	2	
7	15413-01601	VALVE ASSY, Check	2	
8	15412-01616	PACKING	2	
9	14200-10500	O-RING	2	
10	14210-20500	RING, Back-up	2	
11	14004-02835	SEAL, Oil	2	
12	11010-51040	BOLT	8	
13	11400-10012	WASHER, Spring	8	
14	15600-01000	NIPPLE, Grease	2	

NOTE

#4 ~

BUY NOW

**Then Instant Download
the Complete Manual
Thank you very much!**