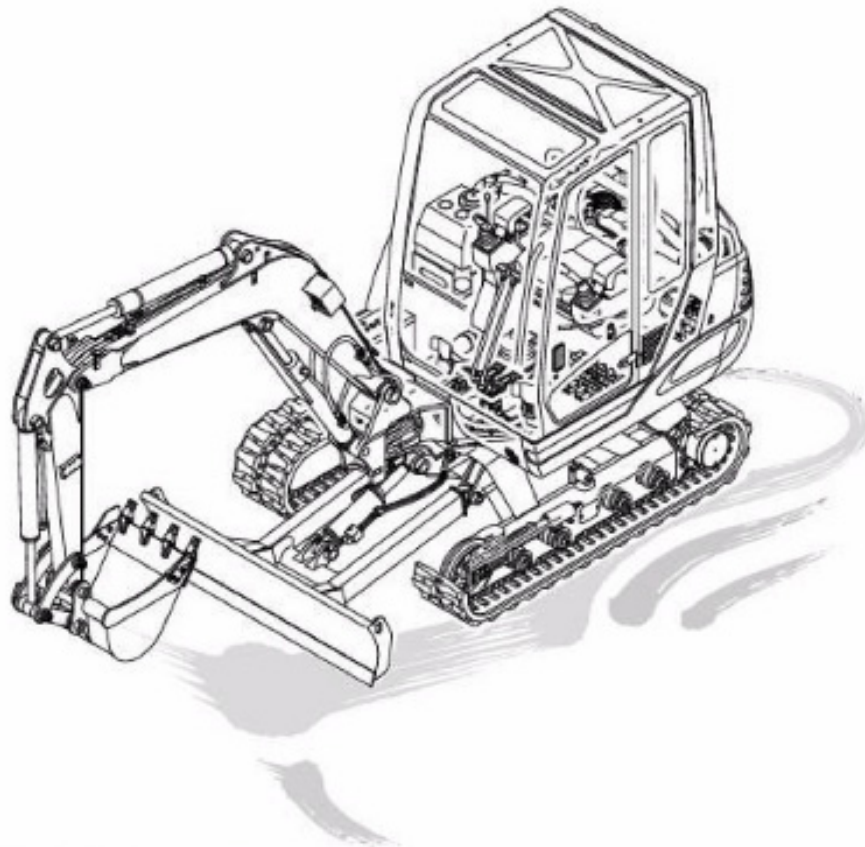


PARTS MANUAL

TB250

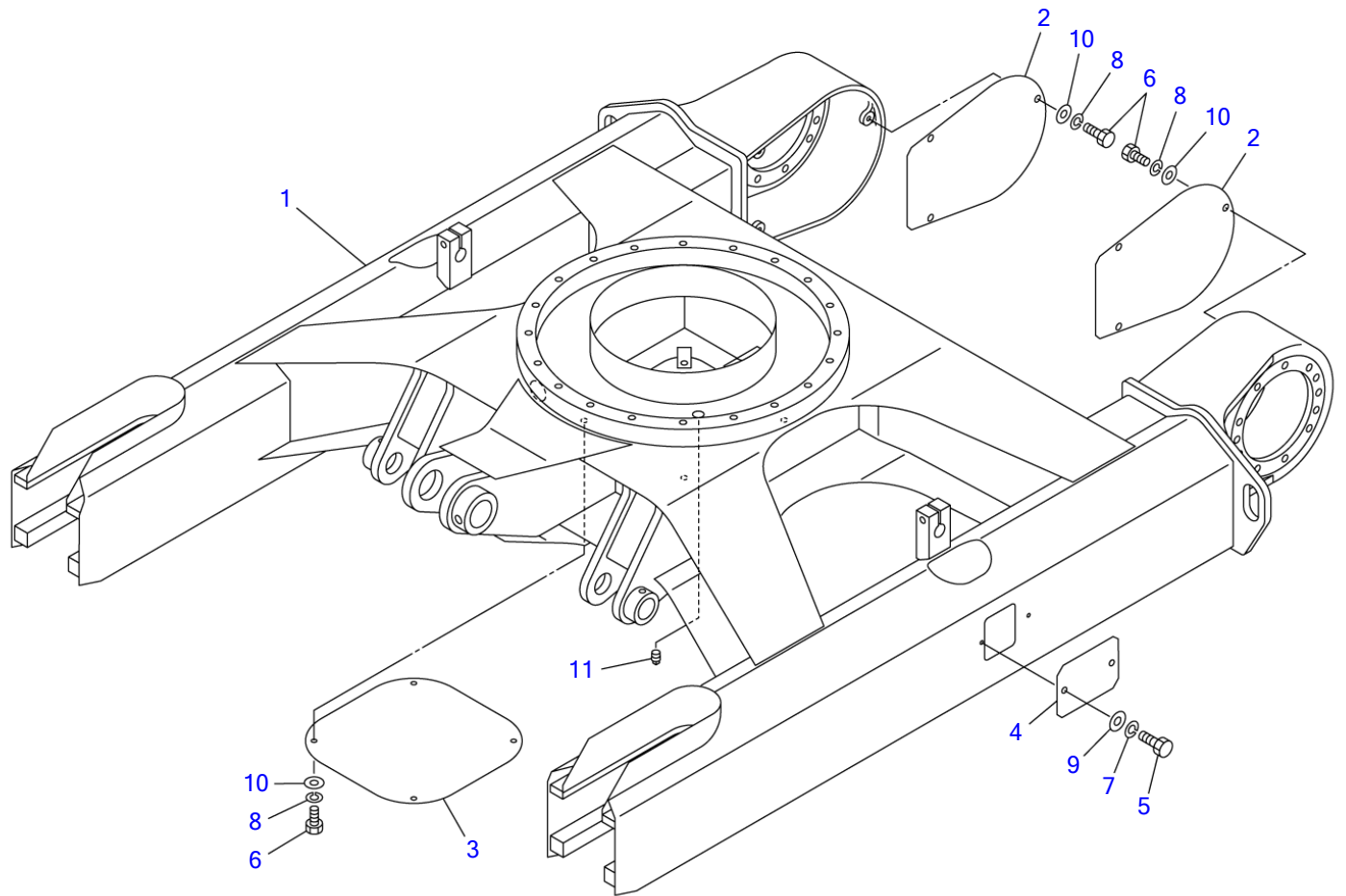
Serial No. 125000001~

Book No. BK7Z001



MINI EXCAVATOR

TAKEUCHI

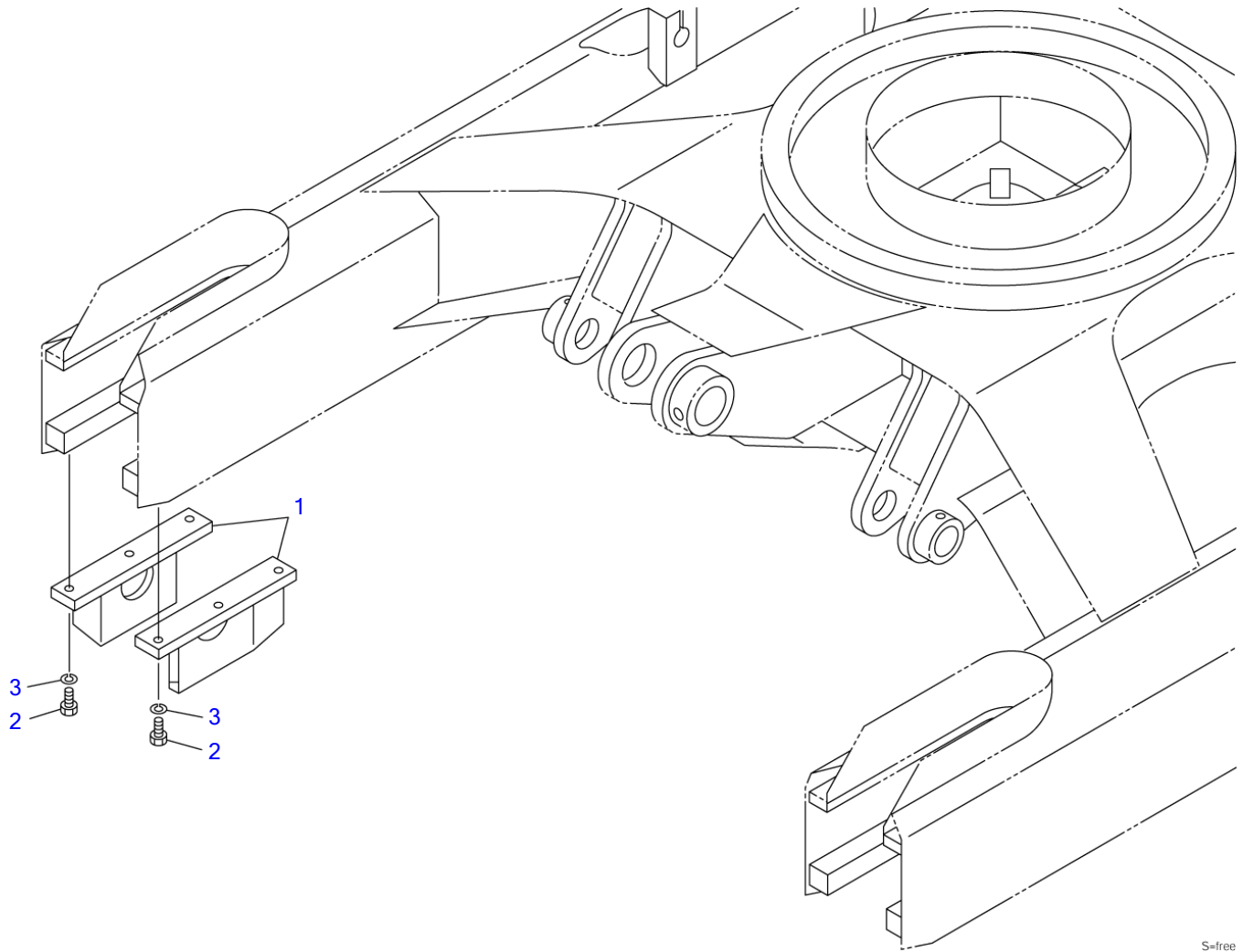


K7A010

S=free

LOWER FRAME

Item	Part number	Description	Q'ty	Chan.	Serial No.	Serv.	Remarks
Item	Part number	•" •j -¼ 0	?	Chan.	Serial No.	Mod.	Remarks
		FRAME ASSY, lower					
1	X *****	FRAME	1				
2	0391013002	COVER	2				
3	0391004003	COVER	1				
4	0561017400	COVER	2				
5	1100040816	BOLT	4				
6	1100041020	BOLT	10				
7	1140020008	WASHER, spring	4				
8	1140020010	WASHER, spring	10				
9	1141110008	WASHER	4				
10	1141110010	WASHER	10				
11	1508710010	PLUG	1				
	K7a010						

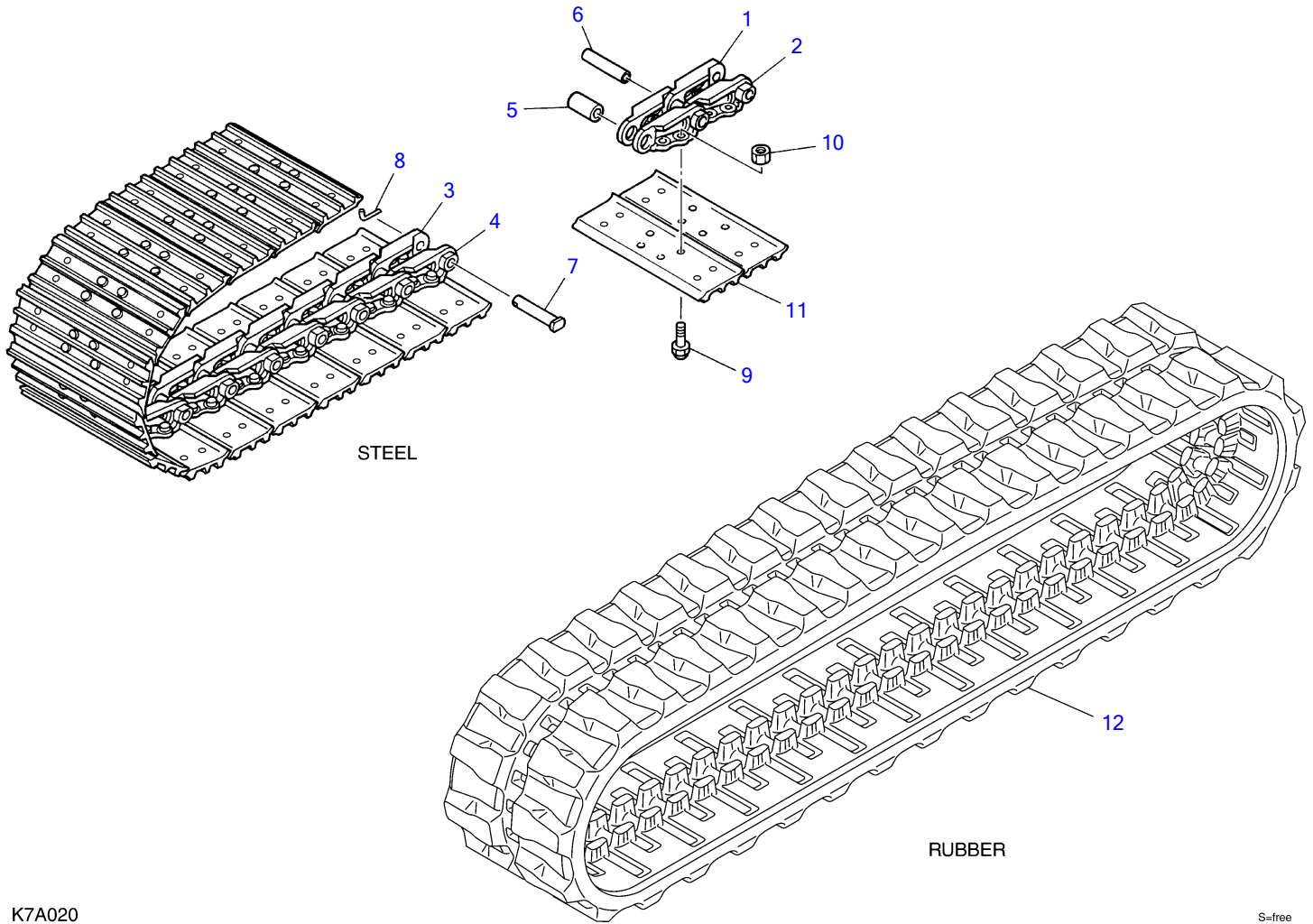


K7A050

S=free

SHOE GUIDE

Item	Part number	Description	Q'ty	Chan.	Serial No.	Serv.	Remarks
1	0461000700	SHOE GUIDE ASSY GUIDE, shoe	4				
2	1101041230	BOLT	12				
3	1140020012 K7a050	WASHER, spring	12				



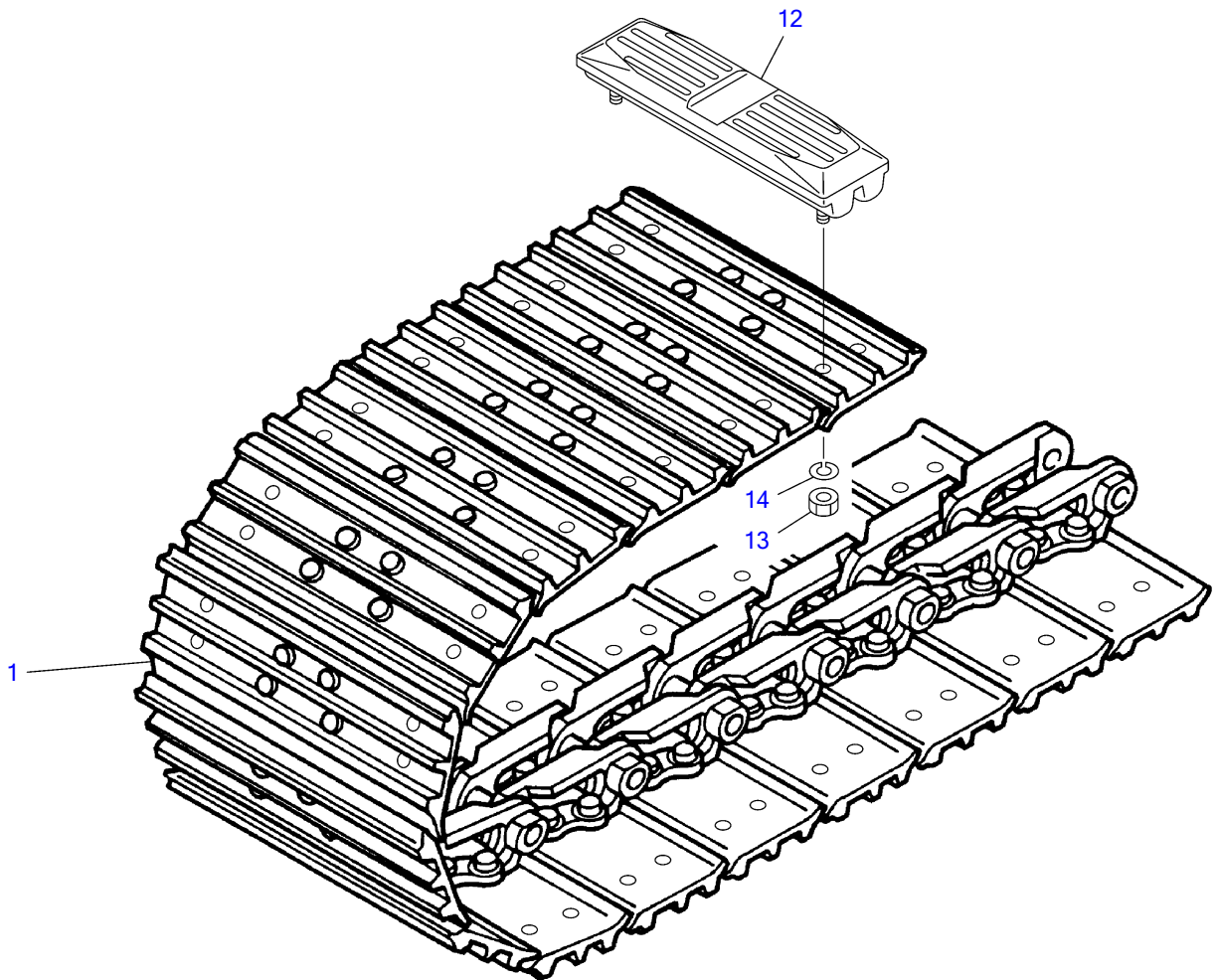
K7A020

S=free

CRAWLER BELT

Item	Part number	Description	Q'ty	Chan.	Serial No.	Serv.	Remarks
0	1914051600	BELT, steel crawler (400wide)	2				X19140-51600-0
	1914051400	BELT, steel crawler (460wide)	2				X19140-51400-0
1	1914039001	▪ LINK (R.H.)	37				
2	1914039002	▪ LINK (L.H.)	37				
3	1914039003	▪ LINK, master (R.H.)	1				
4	1914039004	▪ LINK, master (L.H.)	1				
5	1914039012	▪ BUSHING	38				
6	1914039006	▪ PIN, track	37				
7	1914039007	▪ PIN, master	1				
8	1914039008	▪ PIN	1				
9	1914039009	▪ BOLT	152				
10	1914033010	▪ NUT	152				
11	1914051611	▪ PLATE, shoe	38				400wide
	1914051411	▪ PLATE, shoe	38				460wide
12	1914065610	BELT, rubber crawler	2				
	K7a020						

TB250 Book No. BK7Z000-1 S/N 125000001-
CRAWLER BELT (with rubber pads)

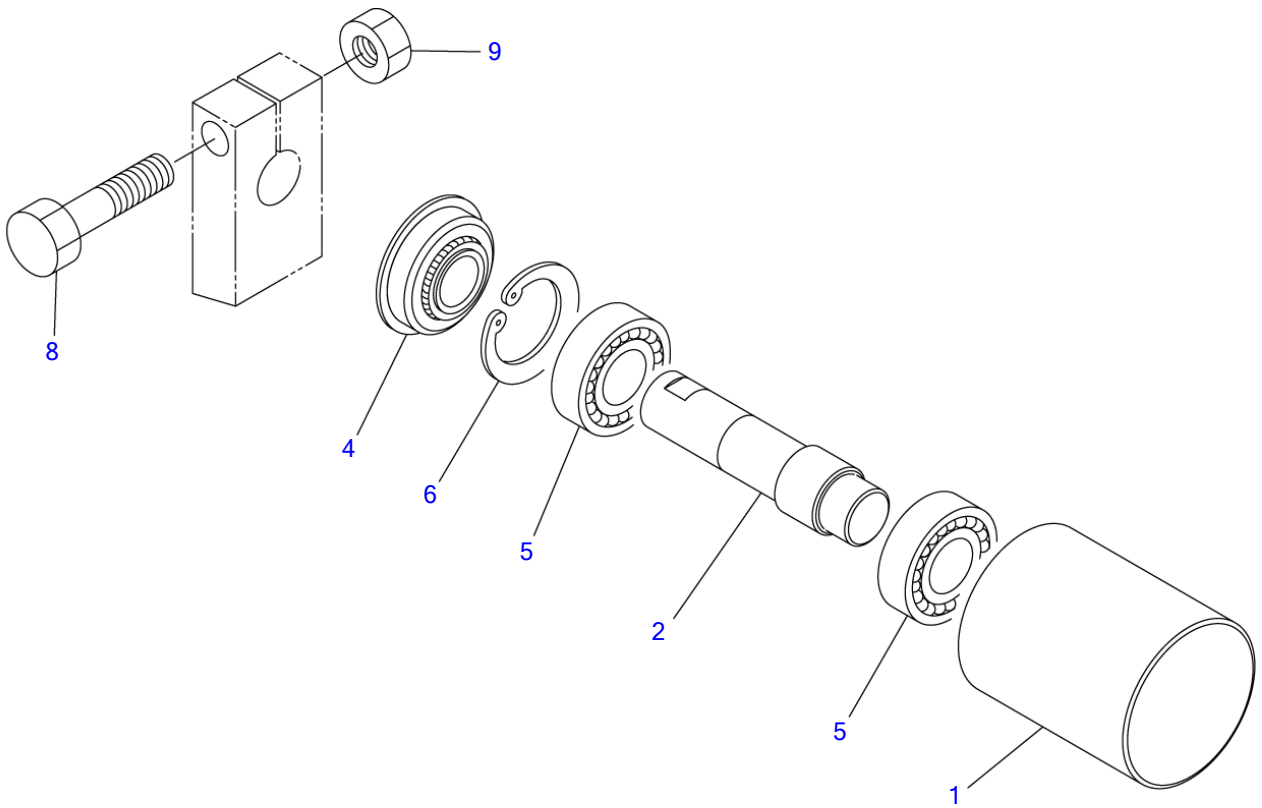


K3A152

S-free

CRAWLER BELT (with rubber pads)

Item	Part number	Description	Q'ty	Chan.	Serial No.	Serv.	Remarks
0	1914051700	BELT ASSY, steel crawler (with rubber pads)	2				
1	1914051600	▪ BELT, steel crawler	1				
12	1914400500	▪ PAD, rubber	38				
13	1130050012	• • NUT	4				
14	1140020012	• • WASHER, spring	4				
	K3a153						



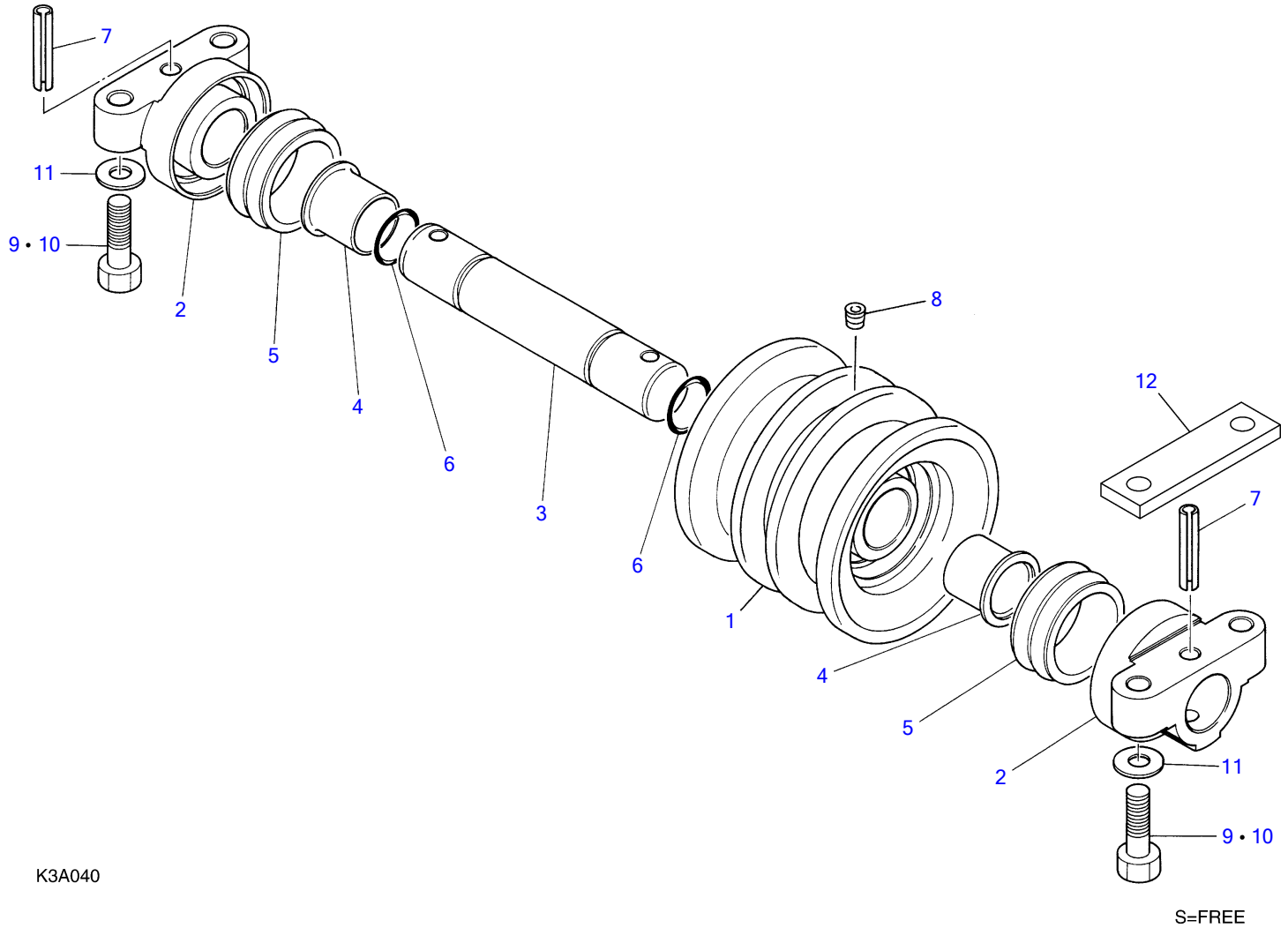
K7A030

S=1/3

CARRIER ROLLER

Item	Part number	Description	Q'ty	Chan.	Serial No.	Serv.	Remarks
0-1	0391201100	ROLLER ASSY, carrier	2				
1	0391201110	• ROLLER	1				
2	0391201120	• SHAFT	1				
4	1431203062	• SEAL	1				
5	1300006206	• BEARING	2				
6	1221000062	• RING, snap	1				
8	1101041670	BOLT	2				
9	1130540016	NUT	2				
	K7a030						

TB250 Book No. BK7Z000-1 S/N 125000001-
TRACK ROLLER

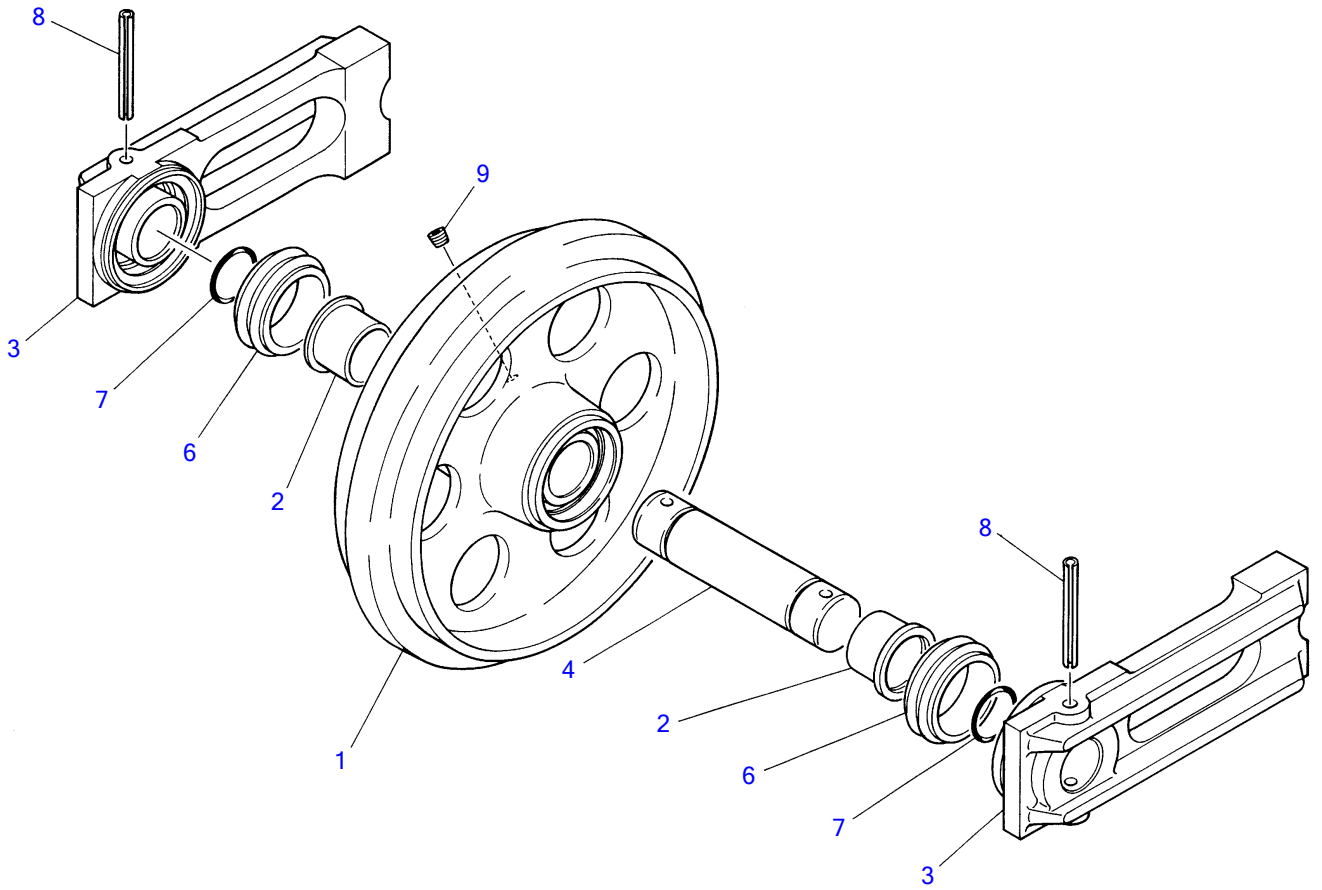


K3A040

S=FREE

TRACK ROLLER

Item	Part number	Description	Q'ty	Chan.	Serial No.	Serv.	Remarks
		ROLLER ASSY, track (rubber)					
		ROLLER ASSY, track (steel)					
0-1	0391302100	ROLLER SUB ASSY, track	10				
1	0391302300	• ROLLER	1				
2	0461300300	• COVER	2				
3	0461300400	• SHAFT	1				
4	1333073535	• BUSHING	2				
5	1432500560	• SEAL, floating	2				
6	1420100300	• O-RING	2				
7	1213001055	• PIN, spring	2				
8	1501810001	• PLUG	2				
9	1101041245	BOLT	40				
10	1101041255	BOLT	40				steel
11	1141550012	WASHER	40				
12	0391300400	PLATE	20				steel
	J3a030						

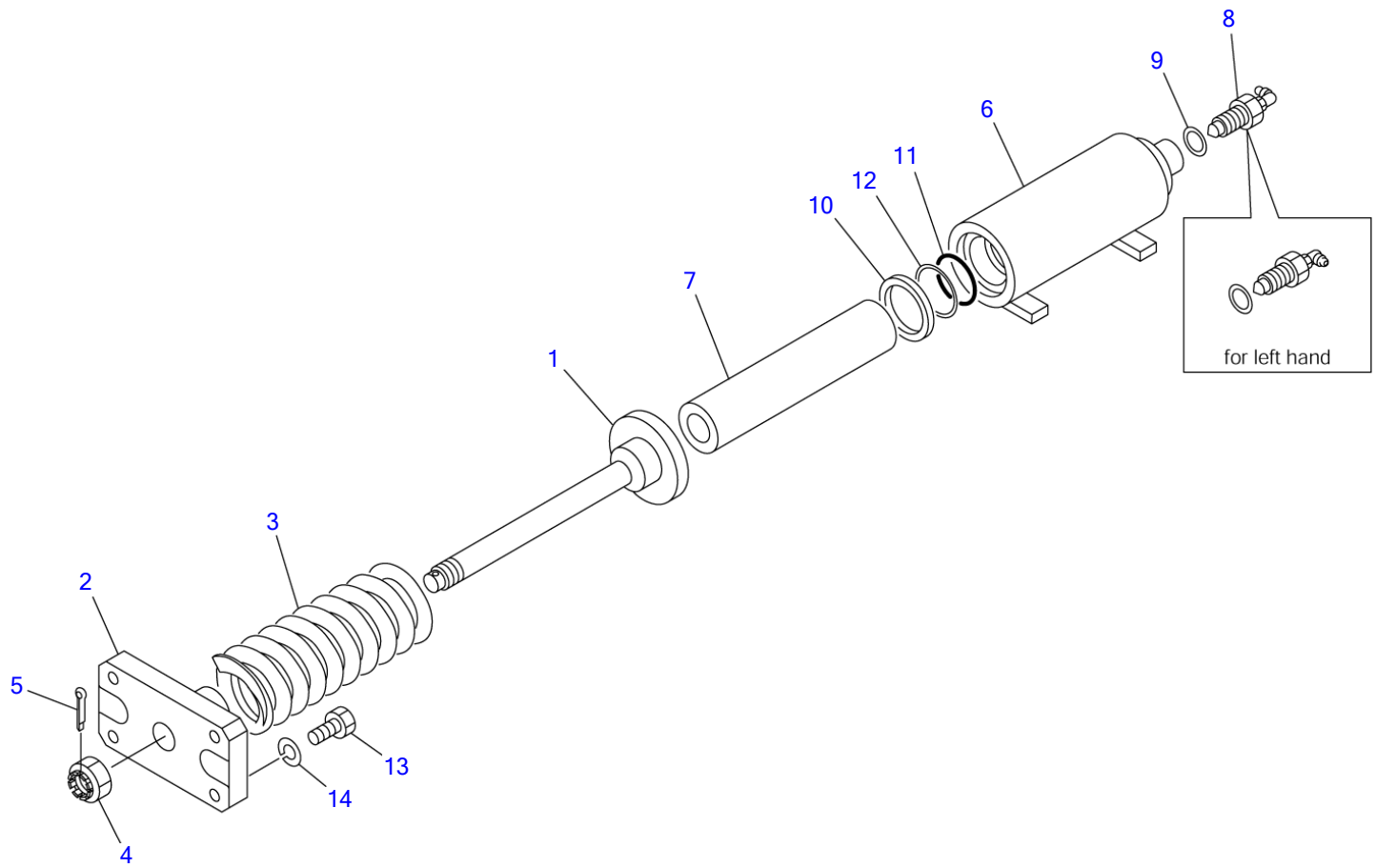


K3A050

S=FREE

Item	Part number	Description	FRONT IDLER			
			Q'ty	Chan.	Serial No.	Serv. Remarks
		IDLER ASSY, front				
0-1	0461490010	IDLER ASSY, sub	2			
1	0461401100	▪ IDLER	1			
2	1333064540	▪ BUSHING	2			
3	0461400300	▪ BLOCK	2			
4	0461400400	▪ SHAFT	1			
6	1432500640	▪ SEAL, floating	2			
7	1420100400	▪ O-RING	2			
8	1213101000	▪ PIN, spring	2			
9	1501810001	▪ PLUG	2			
	K7A090					

TB250 Book No. BK7Z000-1 S/N 125000001-
TRACK ADJUSTER

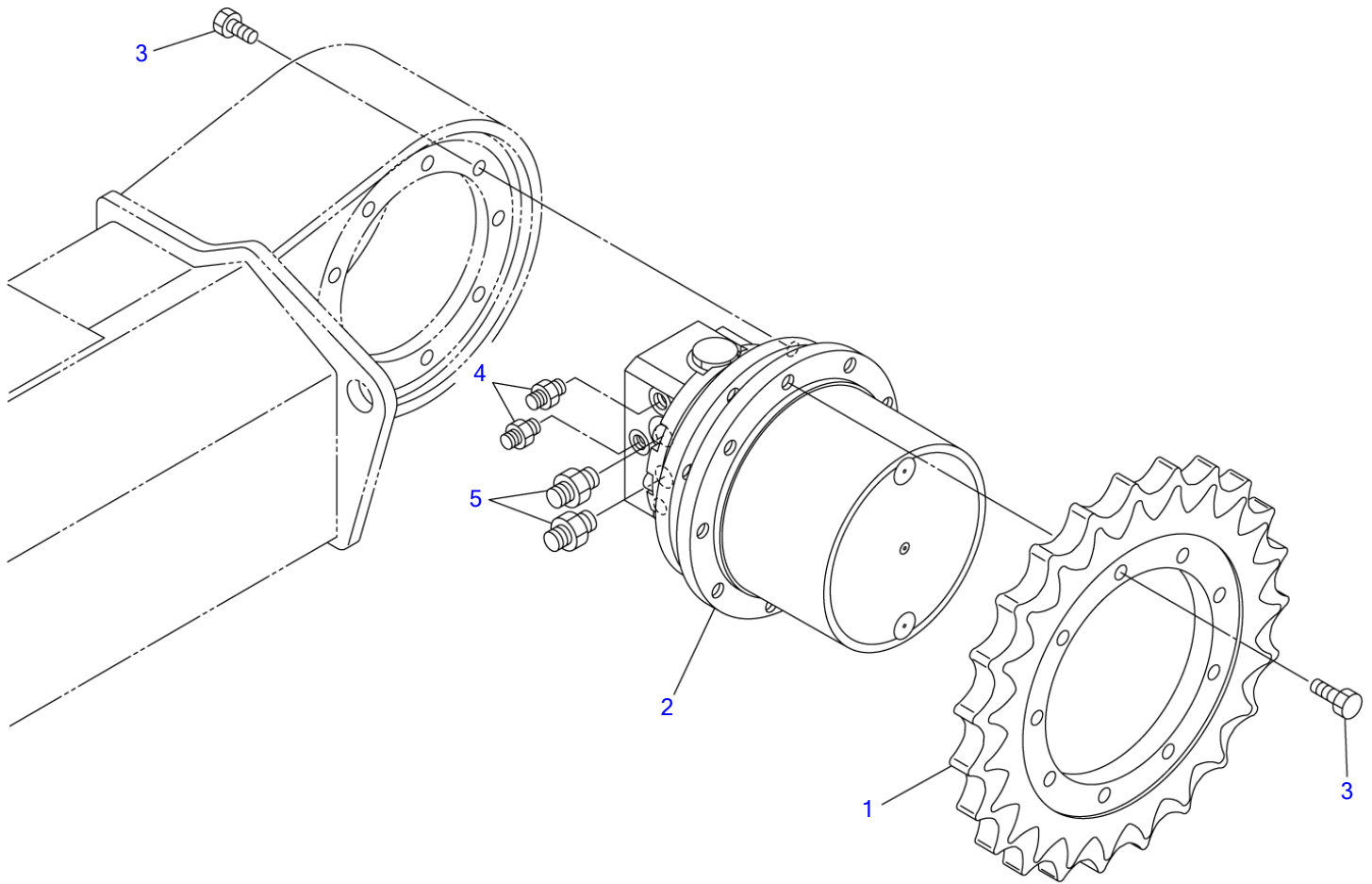


K7A040

S=FREE

TRACK ADJUSTER

Item	Part number	Description	Q'ty	Chan.	Serial No.	Serv.	Remarks
		SPRING ASSY (R.H)					
		SPRING ASSY (L.H.)					
0-1	0391509100	SPRING SUB ASSY	2				
1	0881151200	• ROD	1				
2	0391509120	• PLATE	1				
3	0007000002	• SPRING	1				
4	1132530027	• NUT	1				
5	1210000545	• PIN, split	1				
0-2	0391508200	CYLINDER ASSY, grease	2				
6	0391508210	• CYLINDER, grease	1				
7	0391508220	• PISTON	1				
8	1541301602	• VALVE ASSY, check	1				
9	1541201616	• WASHER	1				
10	1400403038	• SEAL	1				
11	1422010550	• O-RING	1				
12	1421020550	• RING, back-up	1				
13	1101041245	BOLT	8				
14	1140020012	WASHER, spring	8				
	K7a041						



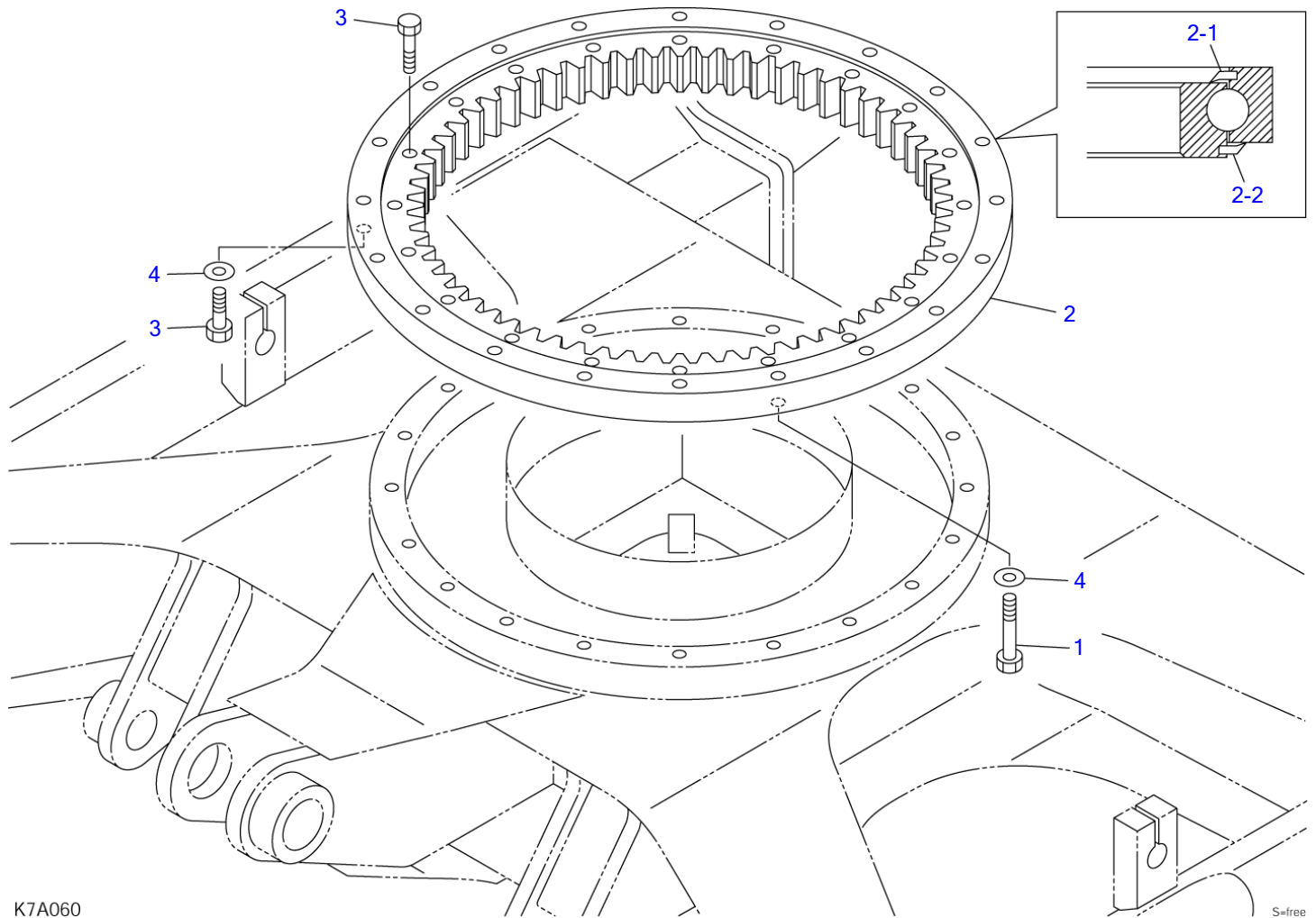
J3A010

S=FREE

TRAVEL DEVICE

Item	Part number	Description	Q'ty	Chan.	Serial No.	Serv.	Remarks
		MOTOR ASSY, travel					
1	0261603100	SPROCKET	2				
2	1903127400	MOTOR, travel	2				
3	1100041435	BOLT	42				
4	1515600200	ADAPTOR	4				
	1420010110	• O-RING	1				
5	1515600202	ADAPTOR	4				
	1420010180	• O-RING	1				
	K7A100						

TB250 Book No. BK7Z000-1 S/N 125000001-
SLEW BEARING



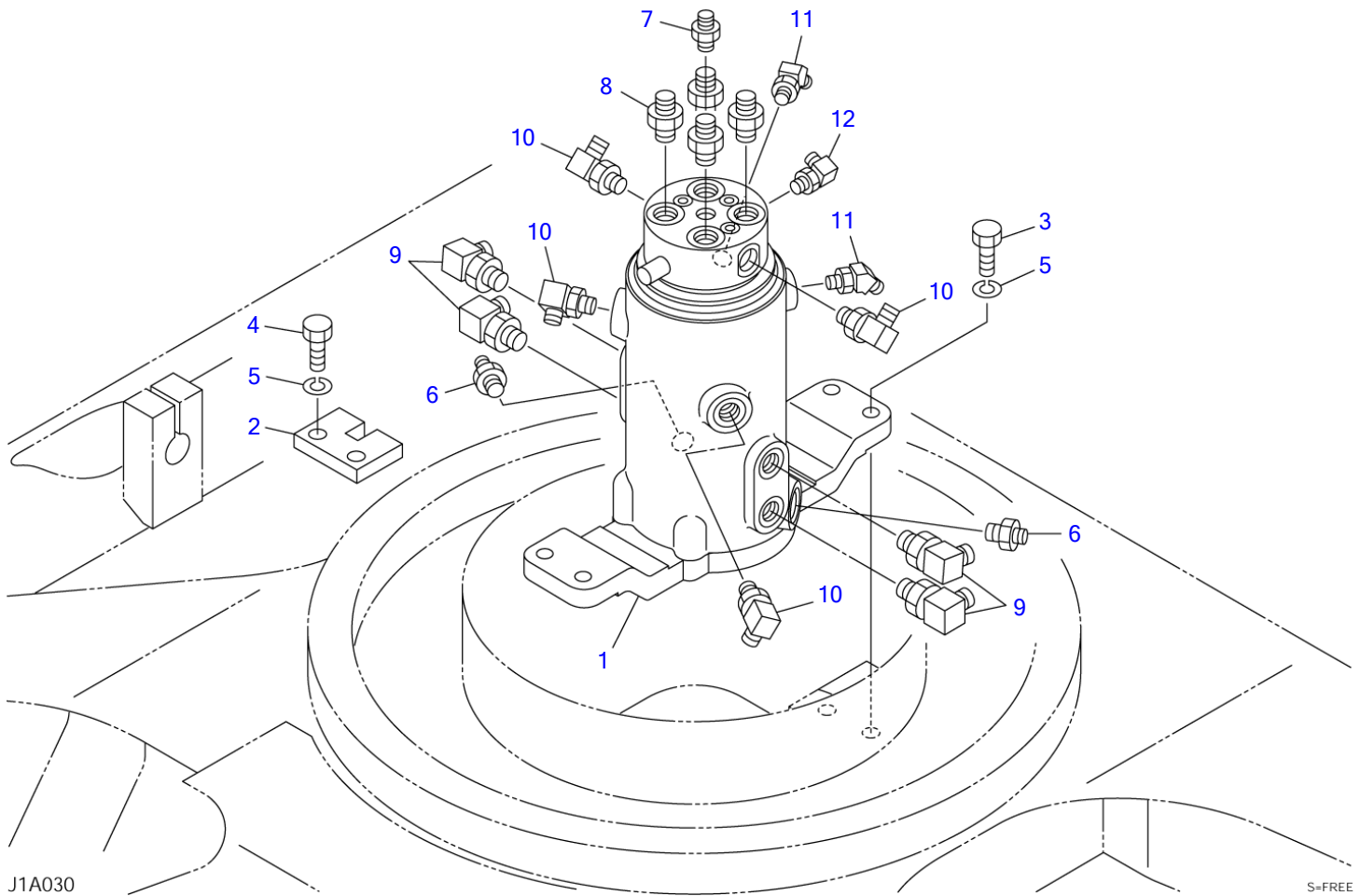
K7A060

S=free

SLEW BEARING

Item	Part number	Description	Q'ty	Chan.	Serial No.	Serv.	Remarks
		BEARING ASSY, slew					
1	0392000100	BOLT	1				
2	1913003550	BEARING	1				
2-1	1913003508	• SEAL	1				
2-2	1913003509	• SEAL	1				
3	1101051680	BOLT	39				
4	1141550016	WASHER	20				
	K7a061						

TB250 Book No. BK7Z000-1 S/N 125000001-
SWIVEL JOINT & ACCESSORIES

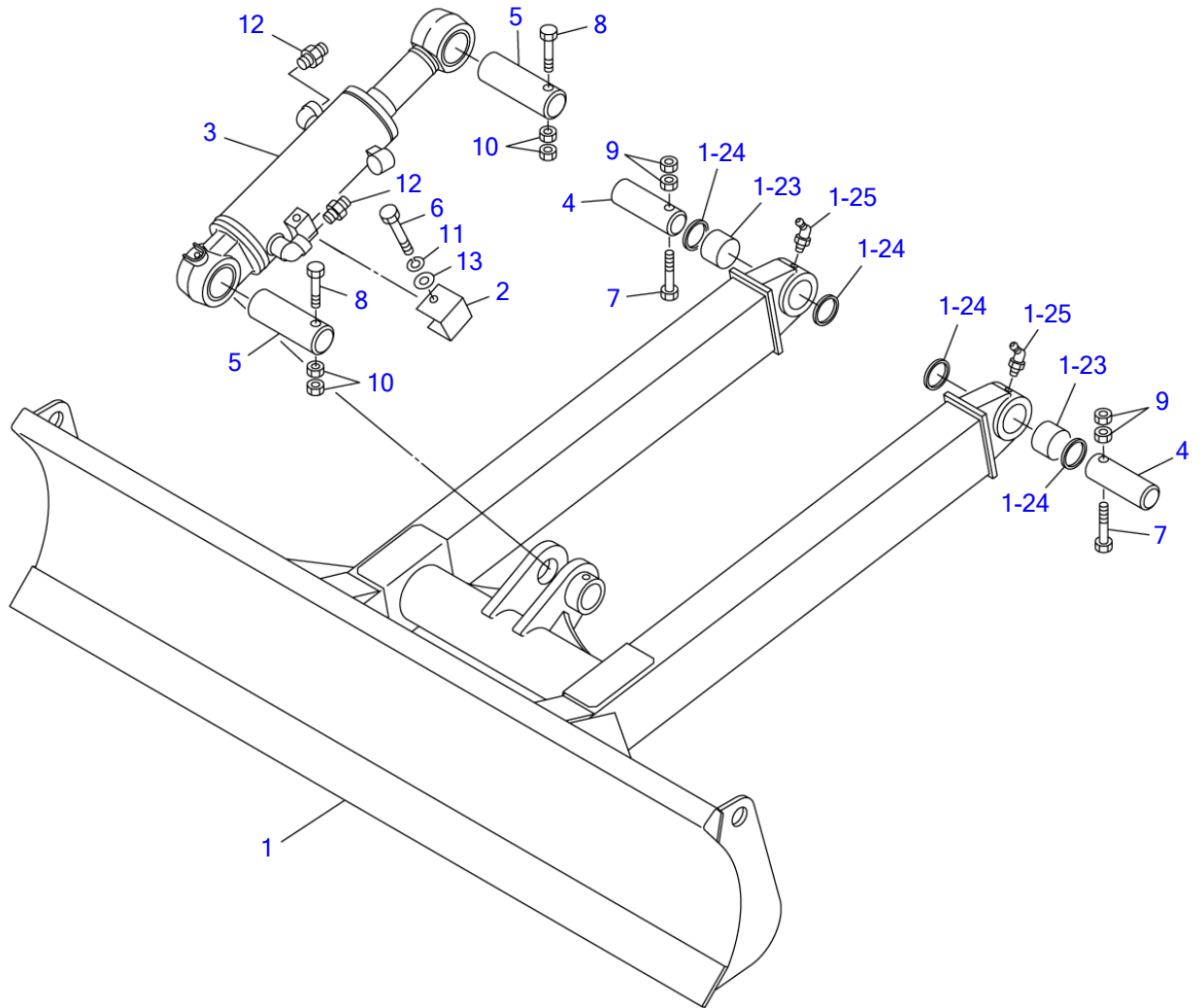


J1A030

S=FREE

SWIVEL JOINT & ACCESSORIES

Item	Part number	Description	Q'ty	Chan.	Serial No.	Serv.	Remarks
		JOINT ASSY, swivel					
1	1904006300	JOINT, swivel	1				
2	0442100100	STOPPER	1				
3	1101041245	BOLT	4				
4	1101041240	BOLT	2				
5	1140020012	WASHER, spring	6				
6	0007203057	NIPPLE	2				
7	1511050003	ADAPTOR	1				
8	1515600202	ADAPTOR	4				
	1420010180	• O-RING	1				
9	1515010042	ELBOW	4				
	1420010180	• O-RING	1				
10	1515010041	ELBOW	4				
	1420010140	• O-RING	1				
11	1515100110	ELBOW	2				
	1420010110	• O-RING	1				
12	1515012040	ELBOW	1				
	1420010110	• O-RING	1				
	K7A110						



K7A070

S=free

BUY NOW

**Then Instant Download
the Complete Manual
Thank you very much!**