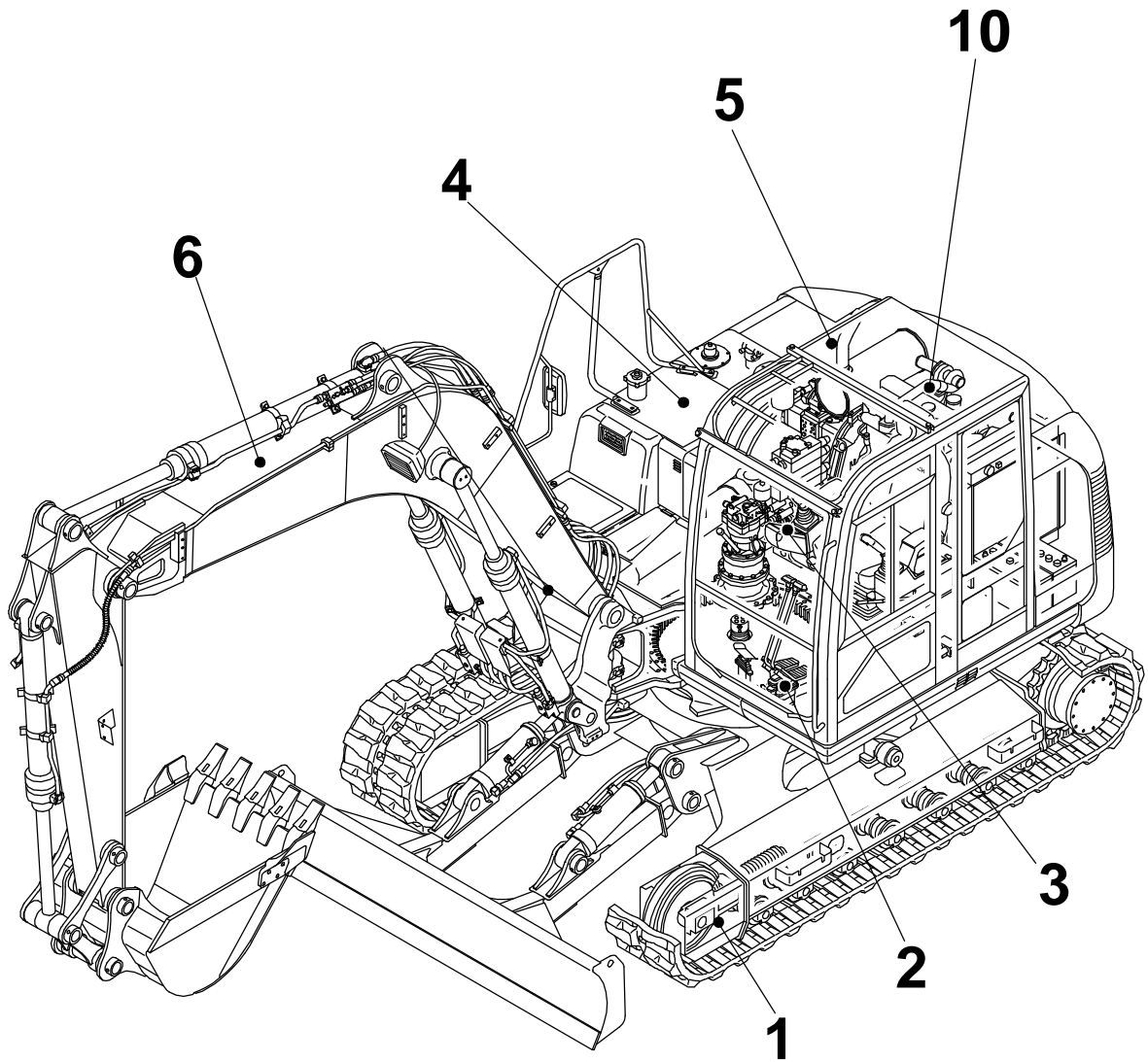


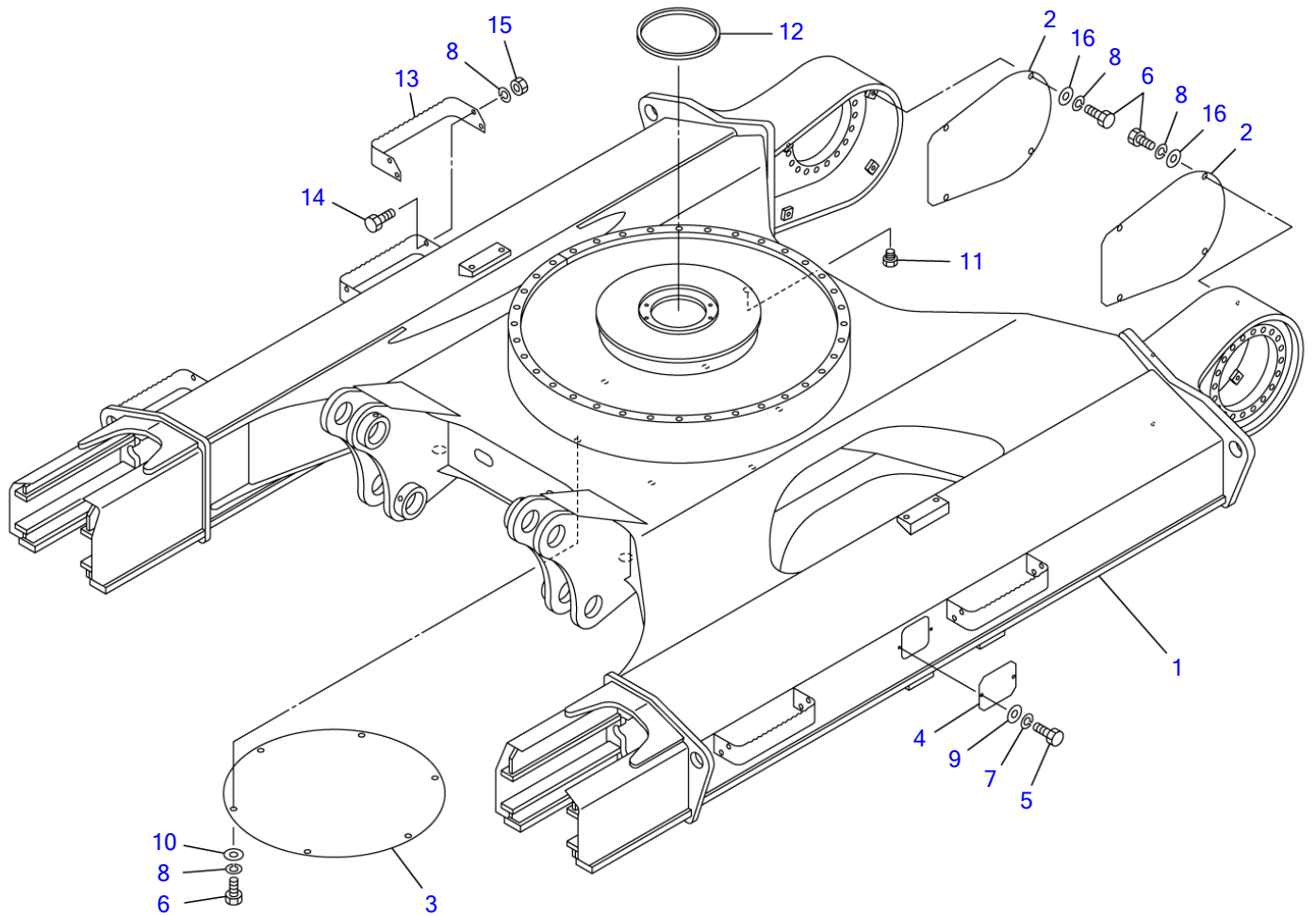
# TB1140

Book Nb.BN2Z002-1  
Serial Nb.51420001-



# TAKEUCHI

TB1140 Book No. BN2Z001 S/N 51420001-  
LOWER FRAME

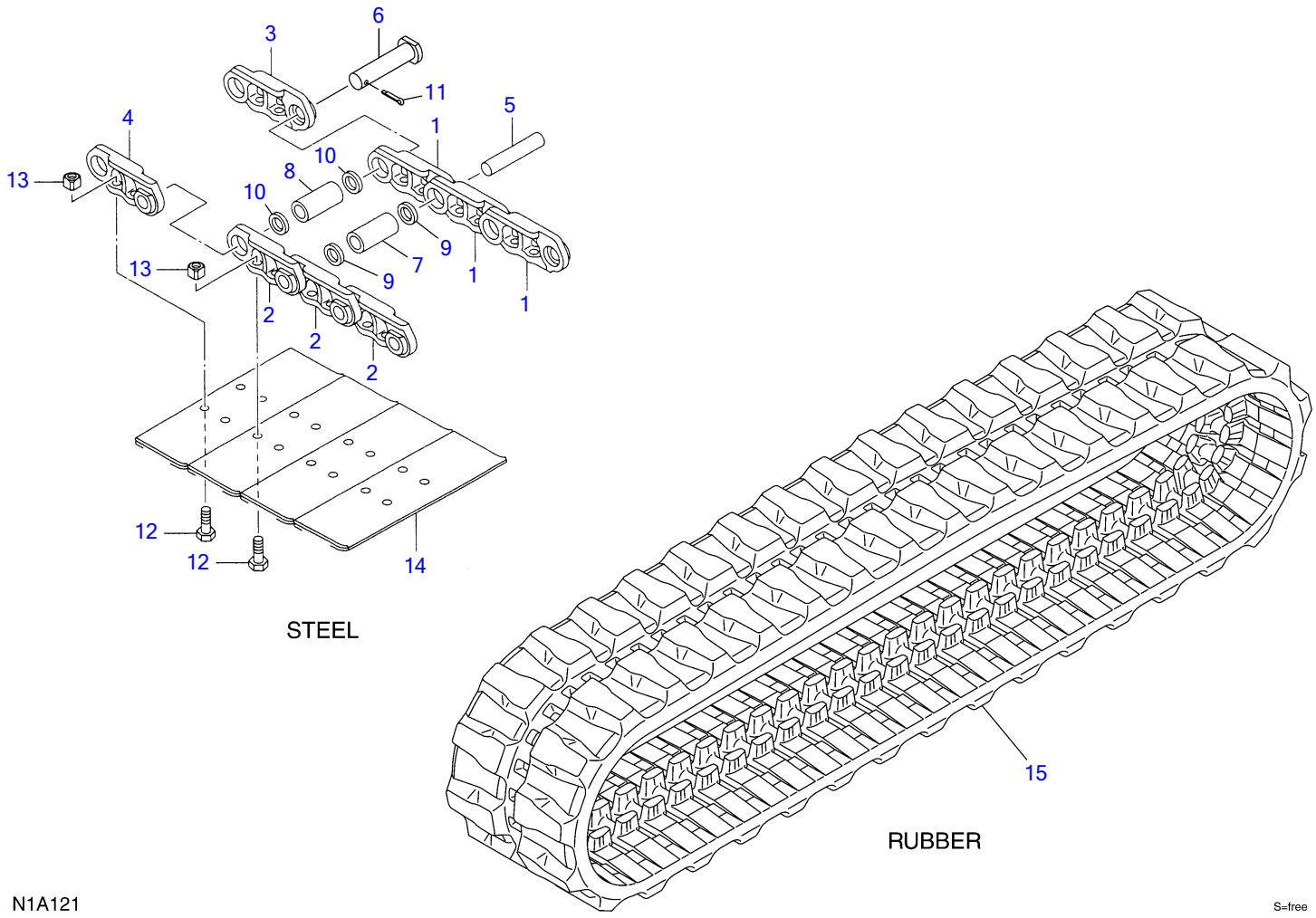


S=1/20

**LOWER FRAME**

Item	Part number	Description	Q'ty	Chan.	Serial No.	Serv.	Remarks
		FRAME ASSY, lower (500 wide)					X05710-01000-5
		FRAME ASSY, lower (600 wide)					X05710-01500-5
		FRAME ASSY, lower (700 wide)					X05710-01600-5
1	X *****	FRAME, lower	1				
2	0571001010	COVER	2				
3	0571000110	COVER	1				
4	0561017400	COVER	2				
5	1100040816	BOLT	4				
6	1100041225	BOLT	14				
7	1140020008	WASHER, spring	4				
8	1140020012	WASHER, spring	30				
9	1141110008	WASHER	4				
10	0003600024	WASHER	6				
11	1501710010	PLUG	1				
12	1654625070	TRIM	1				sold by the meter
13	0571001510	STEP	4				600 wide
	0571001610	STEP	4				700 wide
14	1100041235	BOLT	22				
15	1130040012	NUT	16				
16	1141110012	WASHER	8				
	N1a012						

TB1140 Book No. BN2Z001 S/N 51420001-  
CRAWLER BELT



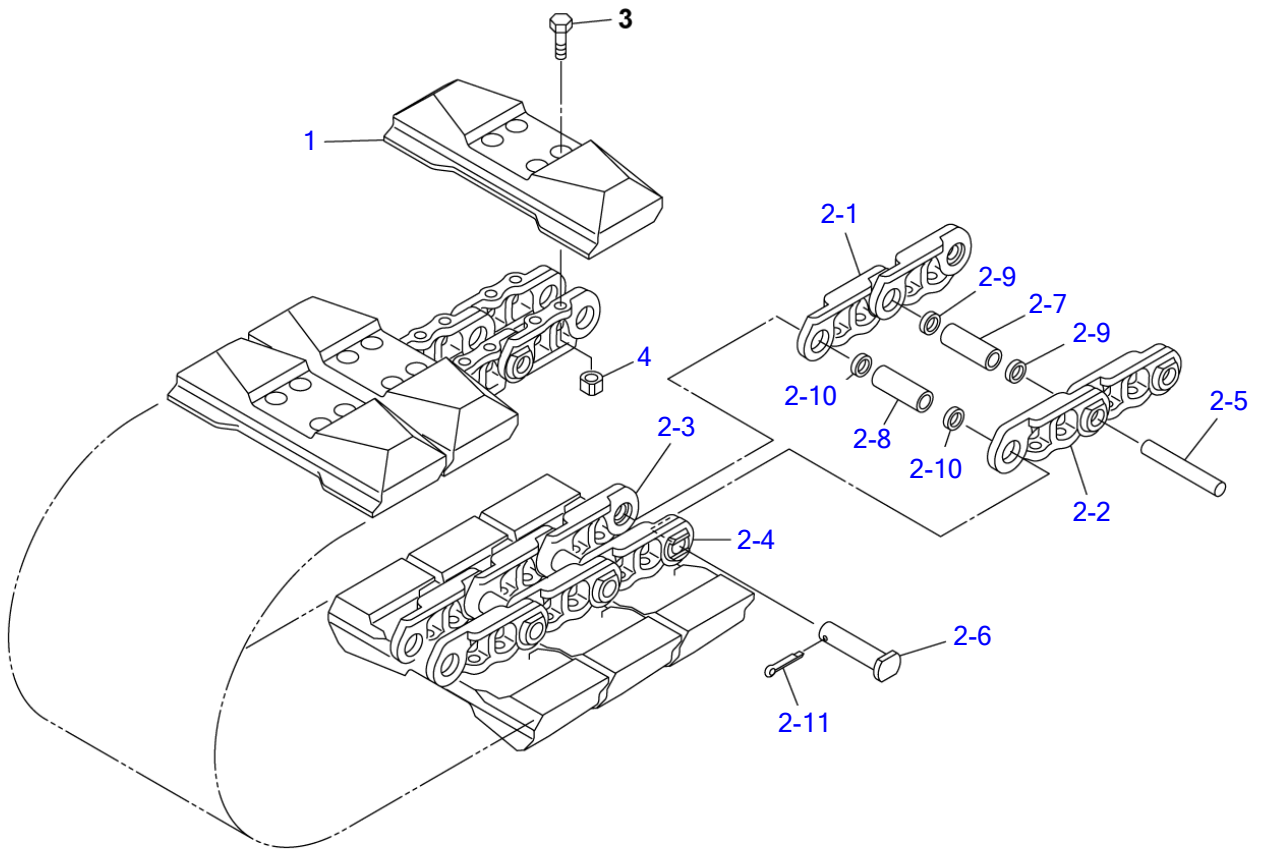
N1A121

S=free

**CRAWLER BELT**

Item	Part number	Description	Q'ty	Chan.	Serial No.	Serv.	Remarks
0	<b>1914303000</b>	BELT, steel crawler (500mm shoe)	2				X19143-03000-1
	<b>1914303100</b>	BELT, steel crawler (600mm shoe)	2				X19143-03100-1
	<b>1914303200</b>	BELT, steel crawler (700mm shoe)	2				X19143-03200-1
1	<b>1914303001</b>	▪ LINK, track (R.H.)	43				
2	<b>1914303002</b>	▪ LINK, track (L.H.)	43				
3	<b>1914303003</b>	▪ LINK, master (R.H.)	1				
4	<b>1914303004</b>	▪ LINK, master (L.H.)	1				
5	<b>1914303005</b>	▪ PIN, track	43				
6	<b>1914303006</b>	▪ PIN, track master	1				
7	<b>1914303007</b>	▪ BUSH, track	43				
8	<b>1914303008</b>	▪ BUSH, track master	1				
9	<b>1914303009</b>	▪ SEAL, dust	86				
10	<b>1914303010</b>	▪ SPACER	2				
11	<b>1914303011</b>	▪ PIN, coter	1				
12	<b>1914303012</b>	▪ BOLT	176				
13	<b>1914303013</b>	▪ NUT	176				
14	<b>1914303014</b>	▪ PLATE	44				500mm shoe
	<b>1914303114</b>	▪ PLATE	44				600mm shoe
	<b>1914303214</b>	▪ PLATE	44				700mm shoe
15	<b>1914301520</b>	BELT, rubber crawler	2				
	<b>N2a010</b>						

TB1140 Book No. BN2Z001 S/N 51420001-  
CRAWLER BELT (with rubber pads)



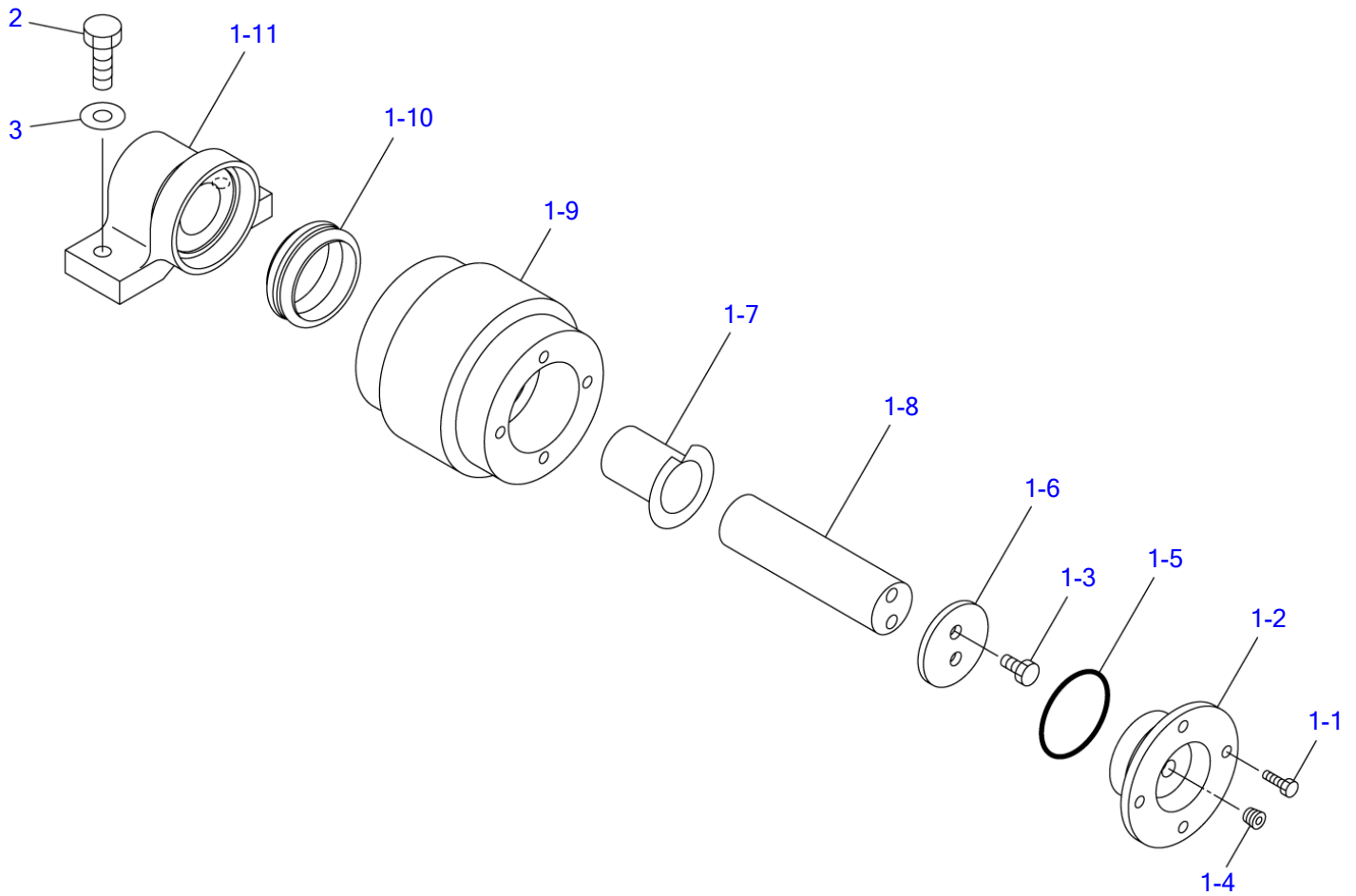
N1A021

S=1/12

**CRAWLER BELT (with rubber pads)**

Item	Part number	Description	Q'ty	Chan.	Serial No.	Serv.	Remarks
0	<b>0571100000</b>	BELT, segment rubber crawler	2				X05711-00000-0
1	<b>1914401000</b>	▪ PAD, rubber	44				
2	<b>1914303020</b>	▪ LINK ASSY	1				
2-1	<b>1914303001</b>	▪ ▪ LINK, track (R.H.)	43				
2-2	<b>1914303002</b>	▪ ▪ LINK, track (L.H.)	43				
2-3	<b>1914303003</b>	▪ ▪ LINK, master (R.H.)	1				
2-4	<b>1914303004</b>	▪ ▪ LINK, master (L.H.)	1				
2-5	<b>1914303005</b>	▪ ▪ PIN, track	43				
2-6	<b>1914303006</b>	▪ ▪ PIN, track master	1				
2-7	<b>1914303007</b>	▪ ▪ BUSH, track	43				
2-8	<b>1914303008</b>	▪ ▪ BUSH, track master	1				
2-9	<b>1914303009</b>	▪ ▪ SEAL, dust	86				
2-10	<b>1914303010</b>	▪ ▪ SPACER	2				
2-11	<b>1914303011</b>	▪ ▪ PIN, coter	1				
3	<b>1914303012</b>	▪ BOLT	176				
4	<b>1914303013</b>	▪ NUT	176				
	<b>N1a021</b>						

TB1140 Book No. BN2Z001 S/N 51420001-  
CARRIER ROLLER



N1A030

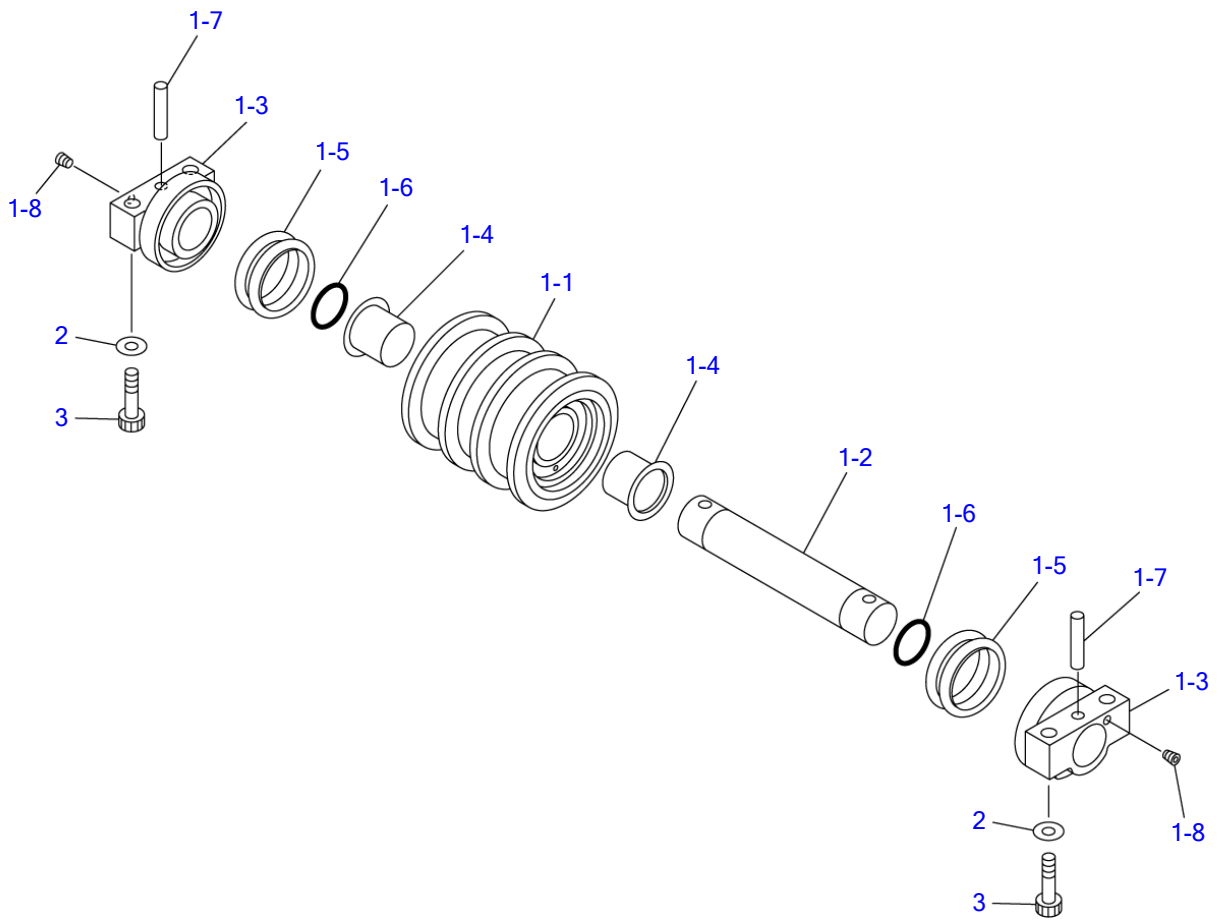
S=1/5



**CARRIER ROLLER**

Item	Part number	Description	Q'ty	Chan.	Serial No.	Serv.	Remarks
		ROLLER ASSY, carrier					X05712-00000-0
1	<b>0571200100</b>	ROLLER ASSY	2				
1-1	<b>1100040820</b>	▪ BOLT	4				
1-2	<b>0571200102</b>	▪ COVER	1				
1-3	<b>1100041016</b>	▪ BOLT	2				
1-4	<b>1501810002</b>	▪ PLUG	1				
1-5	<b>1420100650</b>	▪ O-RING	1				
1-6	<b>0571200106</b>	▪ PLATE	1				
1-7	<b>0571200107</b>	▪ BUSHING	1				
1-8	<b>0571200108</b>	▪ SHAFT	1				
1-9	<b>0571200109</b>	▪ ROLLER	1				
1-10	<b>0571200110</b>	▪ SEAL, floating	1				
1-11	<b>0571200111</b>	▪ BRACKET	1				
2	<b>1101041640</b>	BOLT	4				
3	<b>1141550016</b>	WASHER	4				
	<b>N1a031</b>						

TB1140 Book No. BN2Z001 S/N 51420001-  
TRACK ROLLER

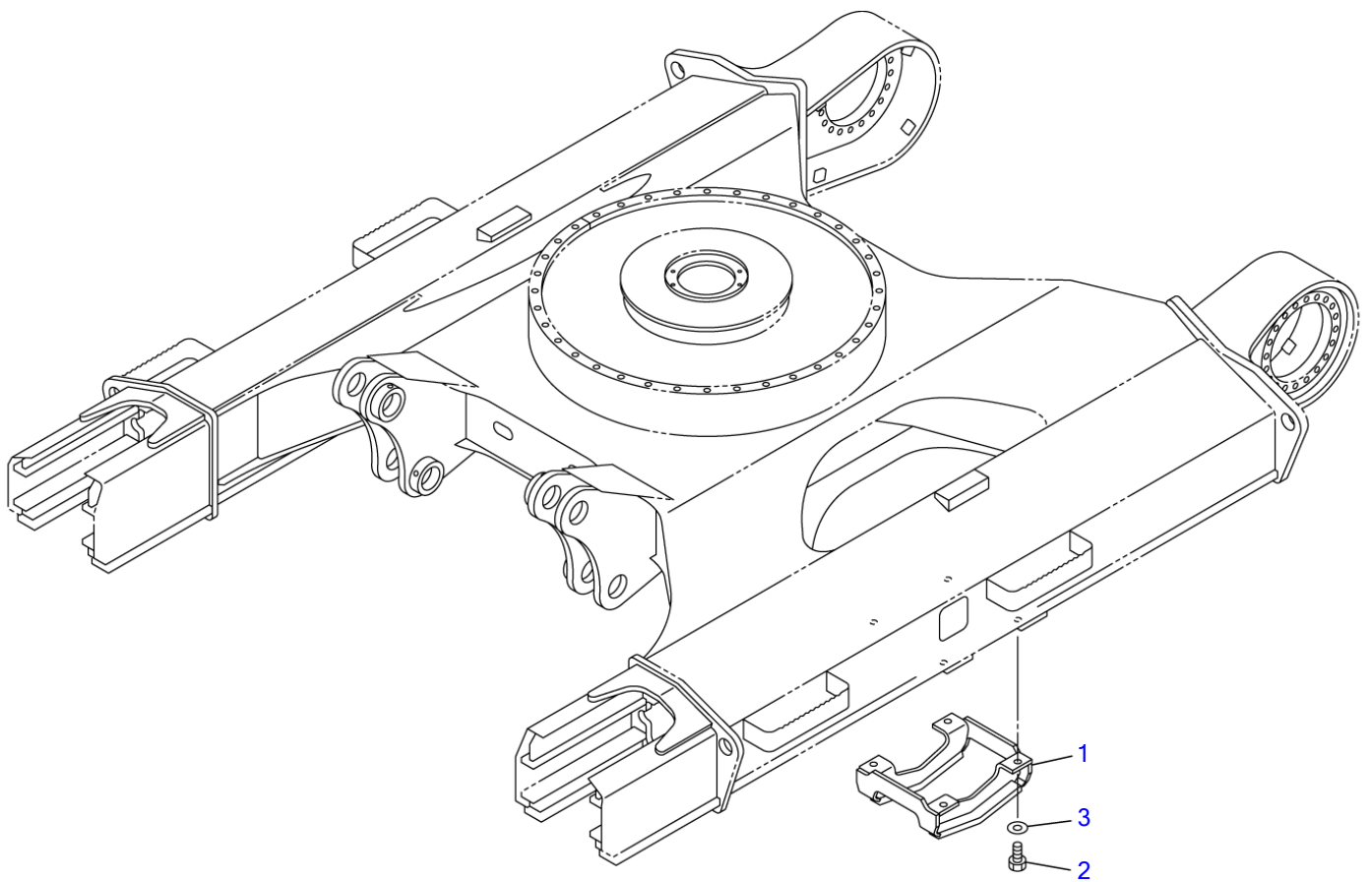


N1A040

S=1/8

**TRACK ROLLER**

Item	Part number	Description	Q'ty	Chan.	Serial No.	Serv.	Remarks
		ROLLER ASSY, track					X05713-00000-2
1	<b>0571300100</b>	ROLLER ASSY	14				
1-1	<b>0571300110</b>	▪ ROLLER	1				
1-2	<b>0571300120</b>	▪ SHAFT	1				
1-3	<b>0571300130</b>	▪ COLLAR	2				
1-4	<b>0571300140</b>	▪ BUSHING	2				
1-5	<b>1432500730</b>	▪ SEAL, floating	2				
1-6	<b>1420110450</b>	▪ O-RING	2				
1-7	<b>0571300170</b>	▪ PIN	2				
1-8	<b>1501810001</b>	▪ PLUG	2				
2	<b>1141550016</b>	WASHER	56				
3	<b>1111021670</b>	BOLT	56				
	<b>N1a043</b>						

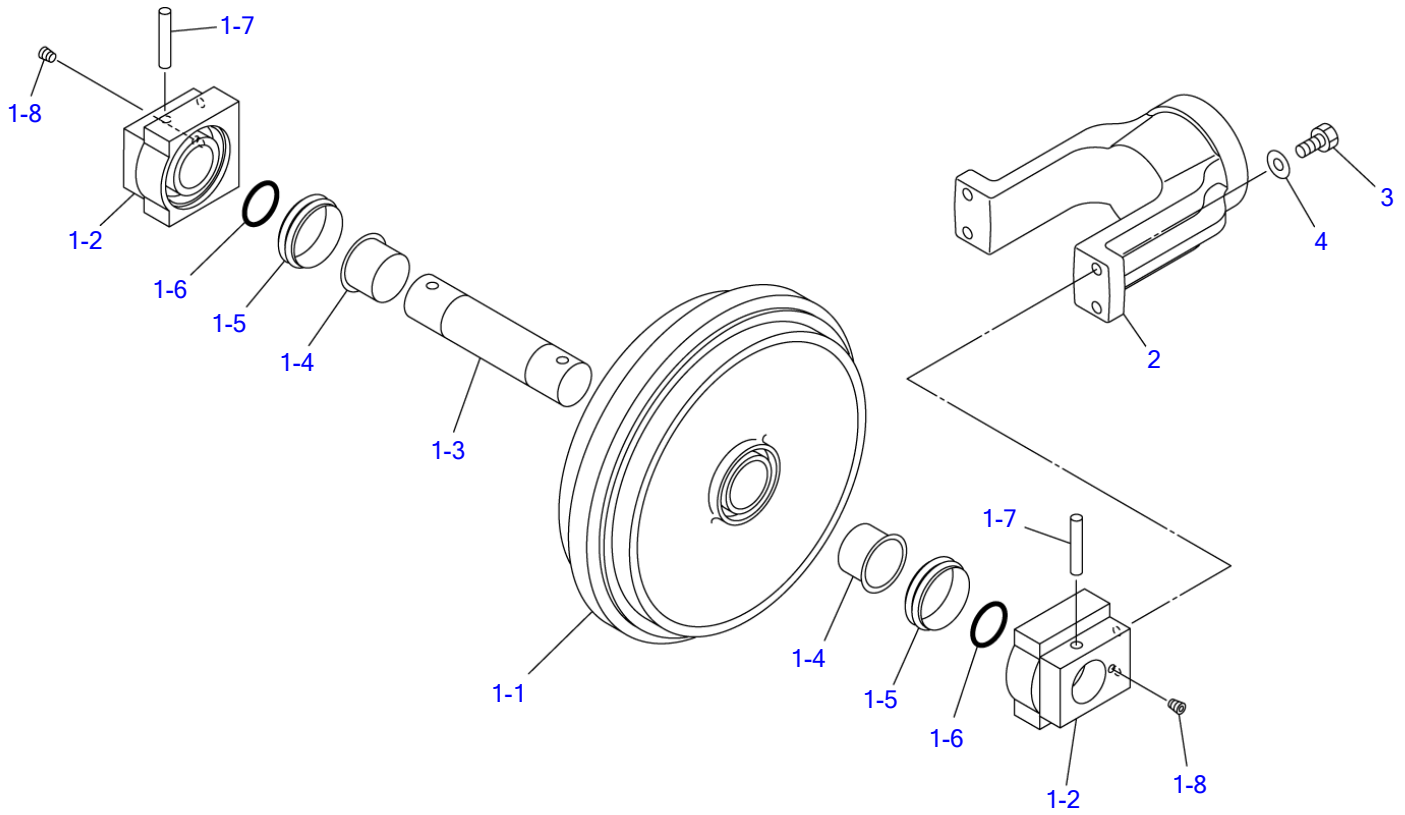


N2A020

S=1/20

TRACK GUARD							
Item	Part number	Description	Q'ty	Chan.	Serial No.	Serv.	Remarks
		GUARD ASSY, track					X05717-00000-0
1	0571700010		2			M	
2	1101041635	BOLT	8			M	
3	1141550016	WASHER	8				
	N2a020						

TB1140 Book No. BN2Z001 S/N 51420001-  
FRONT IDLER

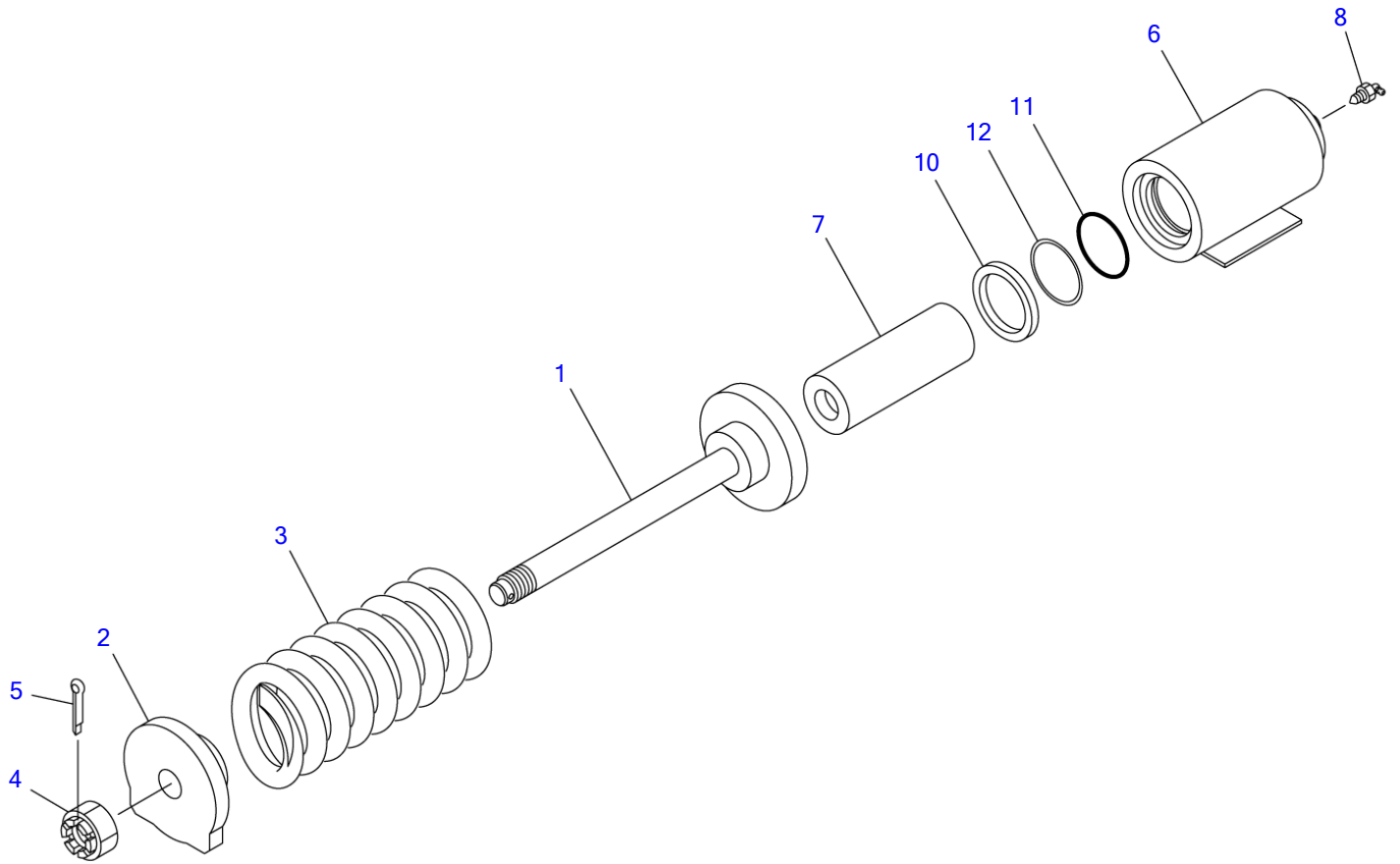


N1A050

S=1/5

Item	Part number	Description	FRONT IDLER			Remarks
			Q'ty	Chan.	Serial No.	
		IDLER ASSY, front				X05714-00000-0
1	0571400100	IDLER ASSY	2			
1-1	0571400110	▪ IDLER	1			
1-2	0571400120	▪ BRACKET	2			
1-3	0571400130	▪ SHAFT	1			
1-4	0571400140	▪ BUSHING	2			
1-5	1432500900	▪ SEAL, floating	2			
1-6	1420110600	▪ O-RING	2			
1-7	0571400170	▪ PIN	2			
1-8	1501810002	▪ PLUG	2			
2	0571400010	YOKE	2			
3	1100041645	BOLT	8			
4	1141550016	WASHER	8			
	N1a052					

TB1140 Book No. BN2Z001 S/N 51420001-  
TRACK ADJUSTER



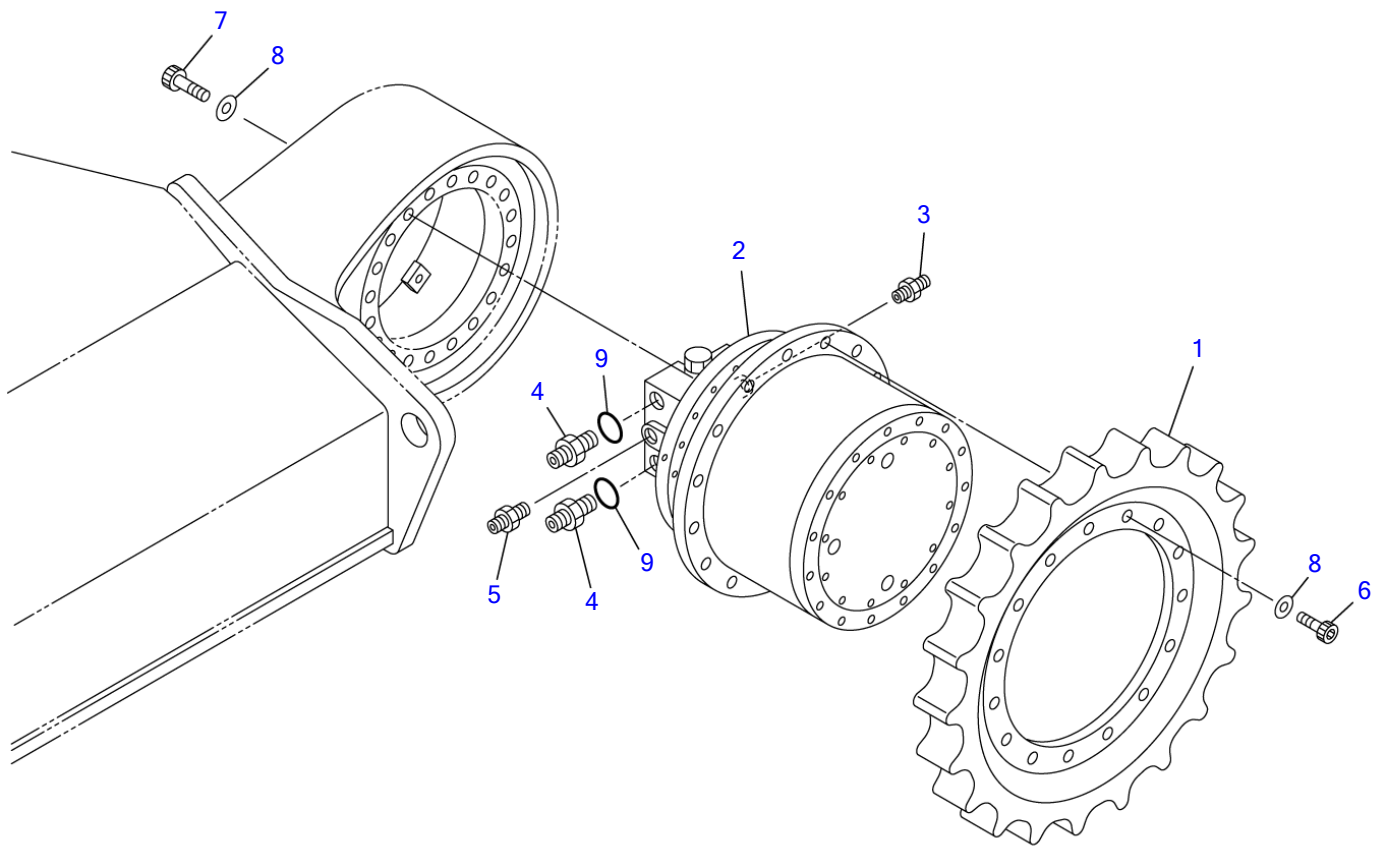
N2A030

S=1/10



**TRACK ADJUSTER**

Item	Part number	Description	Q'ty	Chan.	Serial No.	Serv.	Remarks
		ADJUSTER ASSY, track (R.H.)					X05715-01000-0
		ADJUSTER ASSY, track (L.H.)					X05715-01300-0
0-1	<b>0571500100</b>	SPRING ASSY	2				
1	<b>0571500110</b>	• ROD	1				
2	<b>0571500120</b>	• PLATE	1				
3	<b>0007000082</b>	• SPRING	1				
4	<b>1132030045</b>	• NUT	1				
5	<b>1213000865</b>	• PIN, spring	1				
0-2	<b>0571501200</b>	CYLINDER ASSY	2				
6	<b>0571501210</b>	• CYLINDER, grease	1				
7	<b>0571501220</b>	• PISTON	1				
8	<b>1541301604</b>	• VALVE ASSY, check	1				
10	<b>1400403932</b>	• SEAL, oil	1				
11	<b>1422010900</b>	• O-RING	1				
12	<b>1421020900</b>	• RING, back-up	1				
	<b>N2a030</b>						



N1A070

S=1/10

**TRAVEL DEVICE**

Item	Part number	Description	Q'ty	Chan.	Serial No.	Serv.	Remarks
		MOTOR ASSY, travel					X05716-00000-3
1	<b>0571600010</b>	SPROCKET	2				
2	<b>1903126000</b>	MOTOR, travel	2				
3	<b>1515600200</b>	ADAPTOR	2				
	<b>1420010110</b>	• O-RING	1				
4	<b>1511061306</b>	ADAPTOR	4				
	<b>1420010240</b>	• O-RING	1				
5	<b>1515600577</b>	ADAPTOR	2				
	<b>1420010180</b>	• O-RING	1				
6	<b>1110021645</b>	SCREW, cap	30				
7	<b>1110021665</b>	SCREW, cap	40				
8	<b>1141550016</b>	WASHER	70				
9	<b>1420310014</b>	O-RING	4				
	<b>N1a071</b>						

**BUY NOW**

**Then Instant Download  
the Complete Manual  
Thank you very much!**