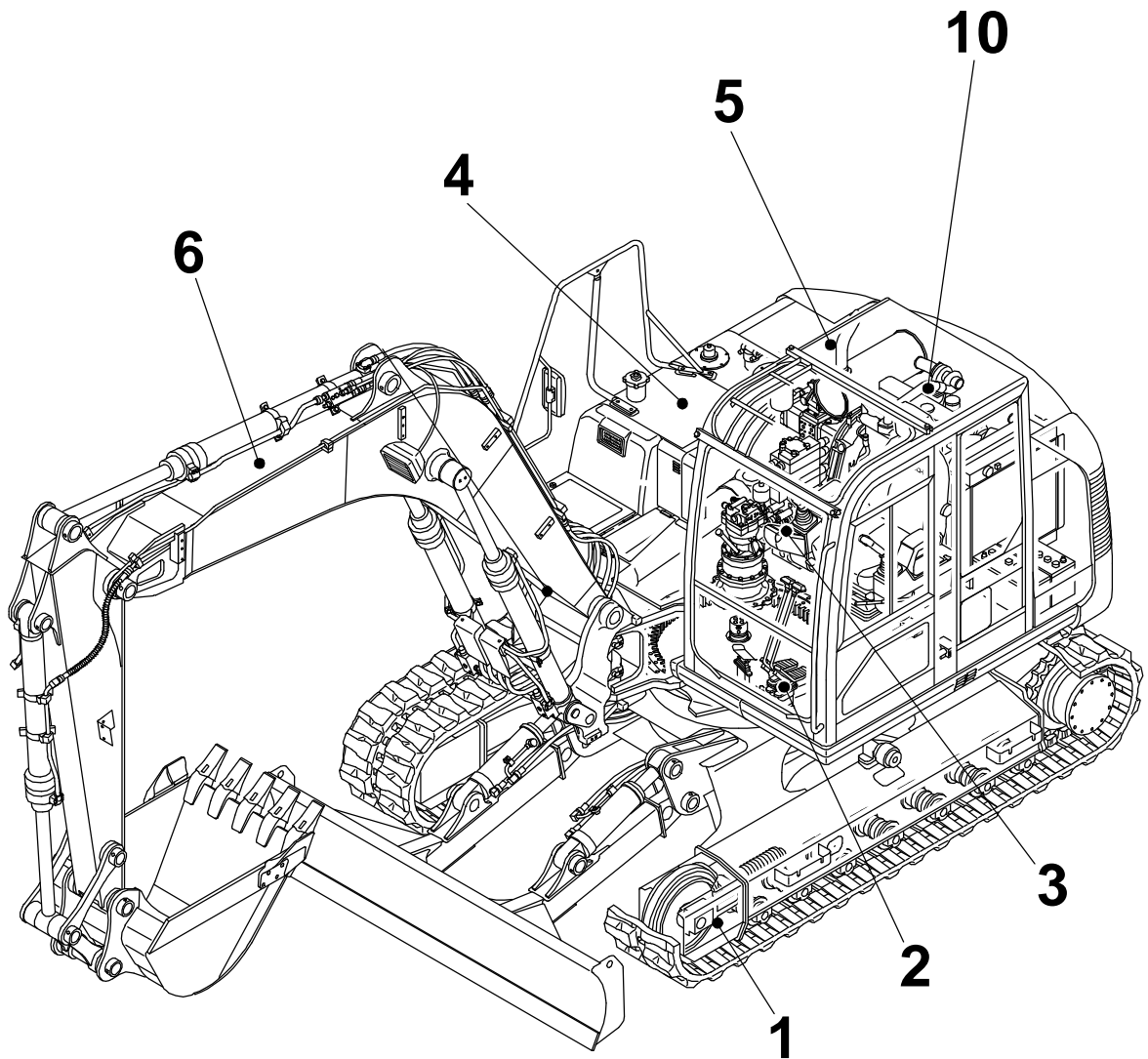


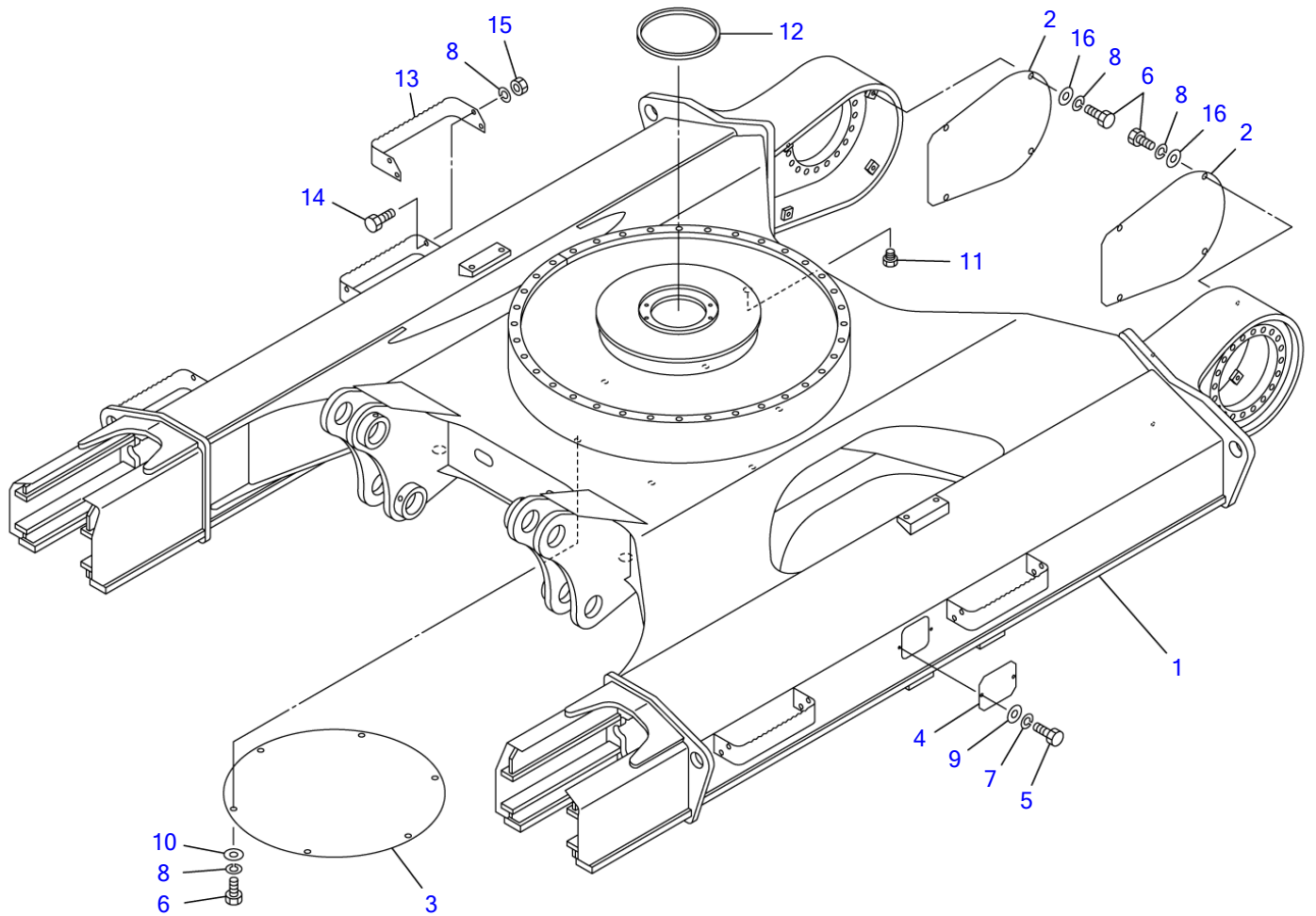
TB1140

Book No. BN1Z003
Serial No. 51410002-



TAKEUCHI

TB1140 Book No. BN1Z002 S/N 51410002-
LOWER FRAME

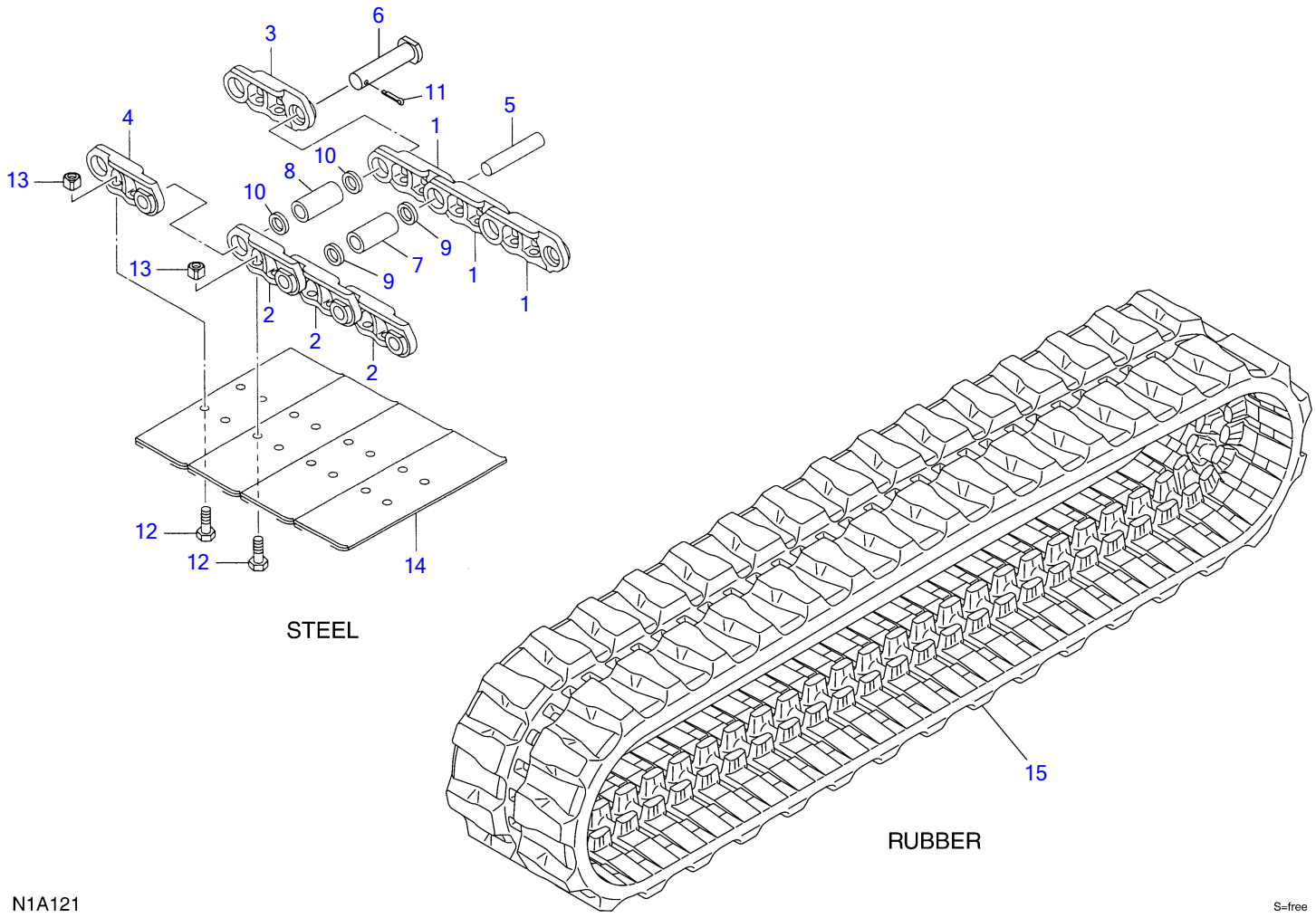


S=1/20

LOWER FRAME

Item	Part number	Description	Q'ty	Chan.	Serial No.	Serv.	Remarks
		FRAME ASSY, lower (500 wide)					X05710-01000-5
		FRAME ASSY, lower (600 wide)					X05710-01500-5
		FRAME ASSY, lower (700 wide)					X05710-01600-5
1	X *****	FRAME, lower	1				
2	0571001010	COVER	2				
3	0571000110	COVER	1				
4	0561017400	COVER	2				
5	1100040816	BOLT	4				
6	1100041225	BOLT	8				
7	1140020008	WASHER, spring	4				
8	1140020012	WASHER, spring	30				
9	1141110008	WASHER	4				
10	0003600024	WASHER	6				
11	1501710010	PLUG	1				
12	1654625070	TRIM	1				sold by the meter
13	0571001510	STEP	4				600 wide
	0571001610	STEP	4				700 wide
14	1100041235	BOLT	22				
15	1130040012	NUT	16				
16	1141110012	WASHER	8				
	N1a012						

TB1140 Book No. BN1Z002 S/N 51410002-
CRAWLER BELT



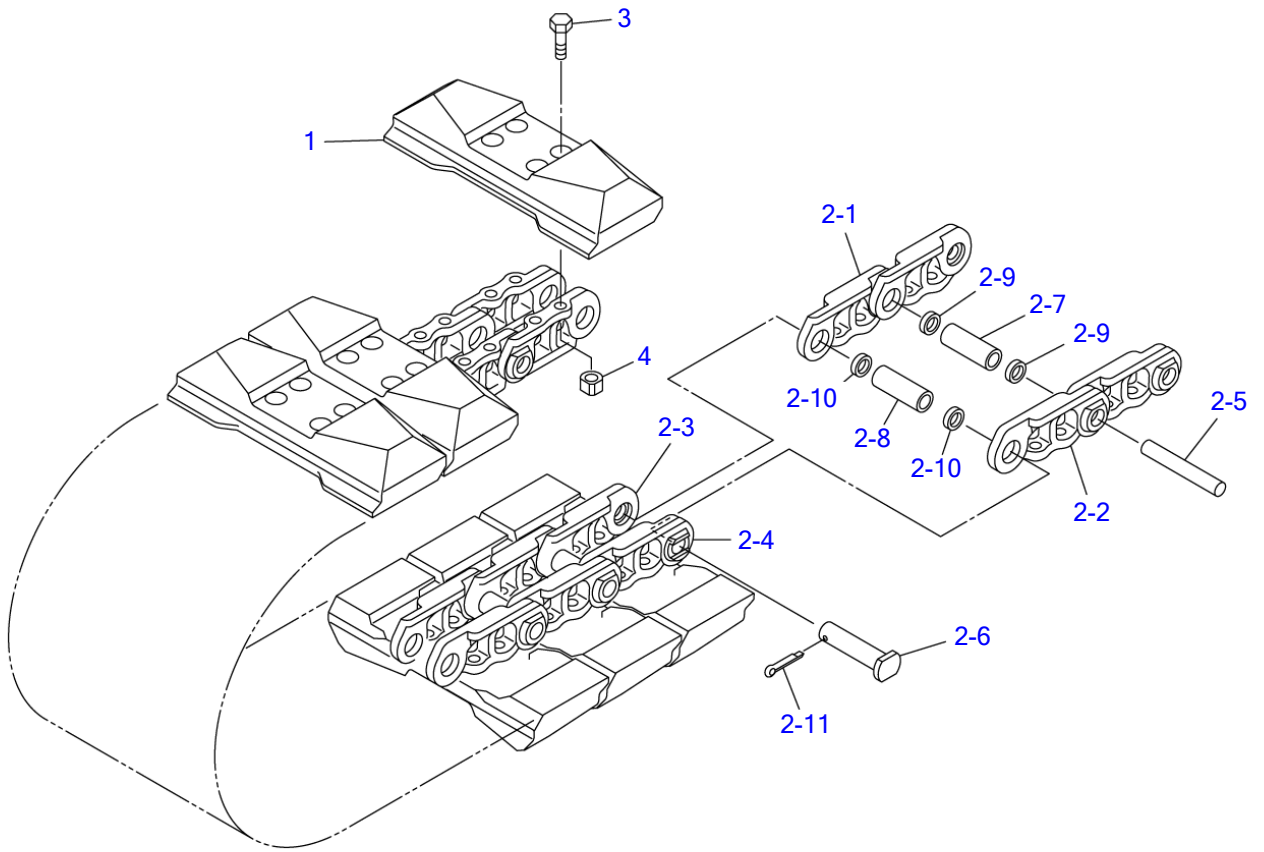
N1A121

S=free

CRAWLER BELT

Item	Part number	Description	Q'ty	Chan.	Serial No.	Serv.	Remarks
0	1914303000	BELT, steel crawler (500mm shoe)	2				X19143-03000-1
	1914303100	BELT, steel crawler (600mm shoe)	2				X19143-03100-1
	1914303200	BELT, steel crawler (700mm shoe)	2				X19143-03200-1
1	1914303001	• LINK, track (R.H.)	43				
2	1914303002	• LINK, track (L.H.)	43				
3	1914303003	• LINK, master (R.H.)	1				
4	1914303004	• LINK, master (L.H.)	1				
5	1914303005	• PIN, track	43				
6	1914303006	• PIN, track master	1				
7	1914303007	• BUSH, track	43				
8	1914303008	• BUSH, track master	1				
9	1914303009	• SEAL, dust	86				
10	1914303010	• SPACER	2				
11	1914303011	• PIN, coter	1				
12	1914303012	• BOLT	176				
13	1914303013	• NUT	176				
14	1914303014	• PLATE	44				500mm shoe
	1914303114	• PLATE	44				600mm shoe
	1914303214	• PLATE	44				700mm shoe
15	1914301200	BELT, rubber crawler	2	(L)	51410002~5141#		
	1914301520	BELT, rubber crawler	2	(H)	5141#~	M	No. 24032
	N1a122						

TB1140 Book No. BN1Z002 S/N 51410002-
CRAWLER BELT (with rubber pads)



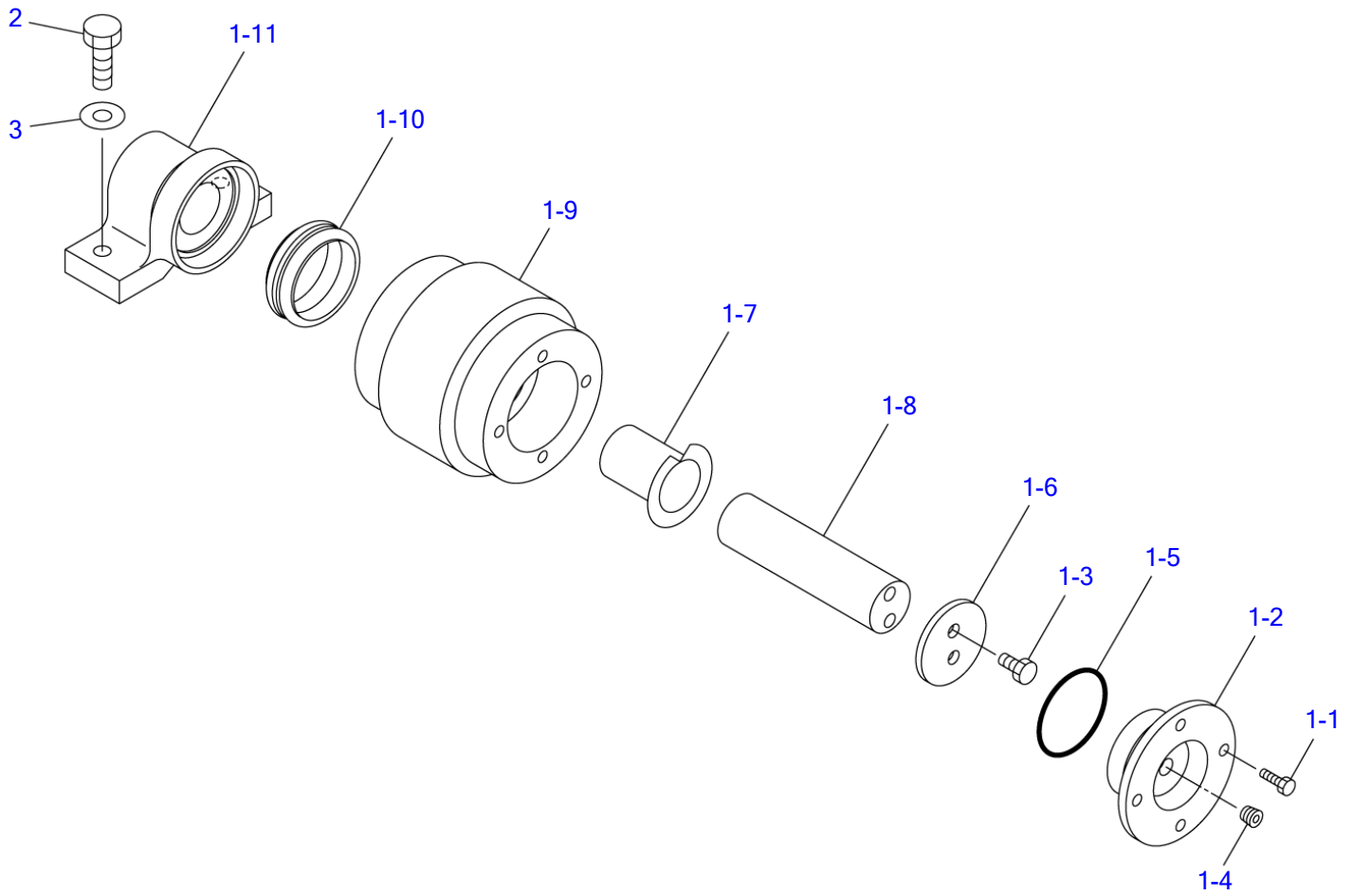
N1A021

S=1/12

CRAWLER BELT (with rubber pads)

Item	Part number	Description	Q'ty	Chan.	Serial No.	Serv.	Remarks
0	0571100000	BELT, segment rubber crawler	2				X05711-00000-0
1	1914401000	▪ PAD, rubber	44				
2	1914303020	▪ LINK ASSY	1				
2-1	1914303001	▪ ▪ LINK, track (R.H.)	43				
2-2	1914303002	▪ ▪ LINK, track (L.H.)	43				
2-3	1914303003	▪ ▪ LINK, master (R.H.)	1				
2-4	1914303004	▪ ▪ LINK, master (L.H.)	1				
2-5	1914303005	▪ ▪ PIN, track	43				
2-6	1914303006	▪ ▪ PIN, track master	1				
2-7	1914303007	▪ ▪ BUSH, track	43				
2-8	1914303008	▪ ▪ BUSH, track master	1				
2-9	1914303009	▪ ▪ SEAL, dust	86				
2-10	1914303010	▪ ▪ SPACER	2				
2-11	1914303011	▪ ▪ PIN, coter	1				
3	1914303012	▪ BOLT	176				
4	1914303013	▪ NUT	176				
	N1a021						

TB1140 Book No. BN1Z002 S/N 51410002-
CARRIER ROLLER



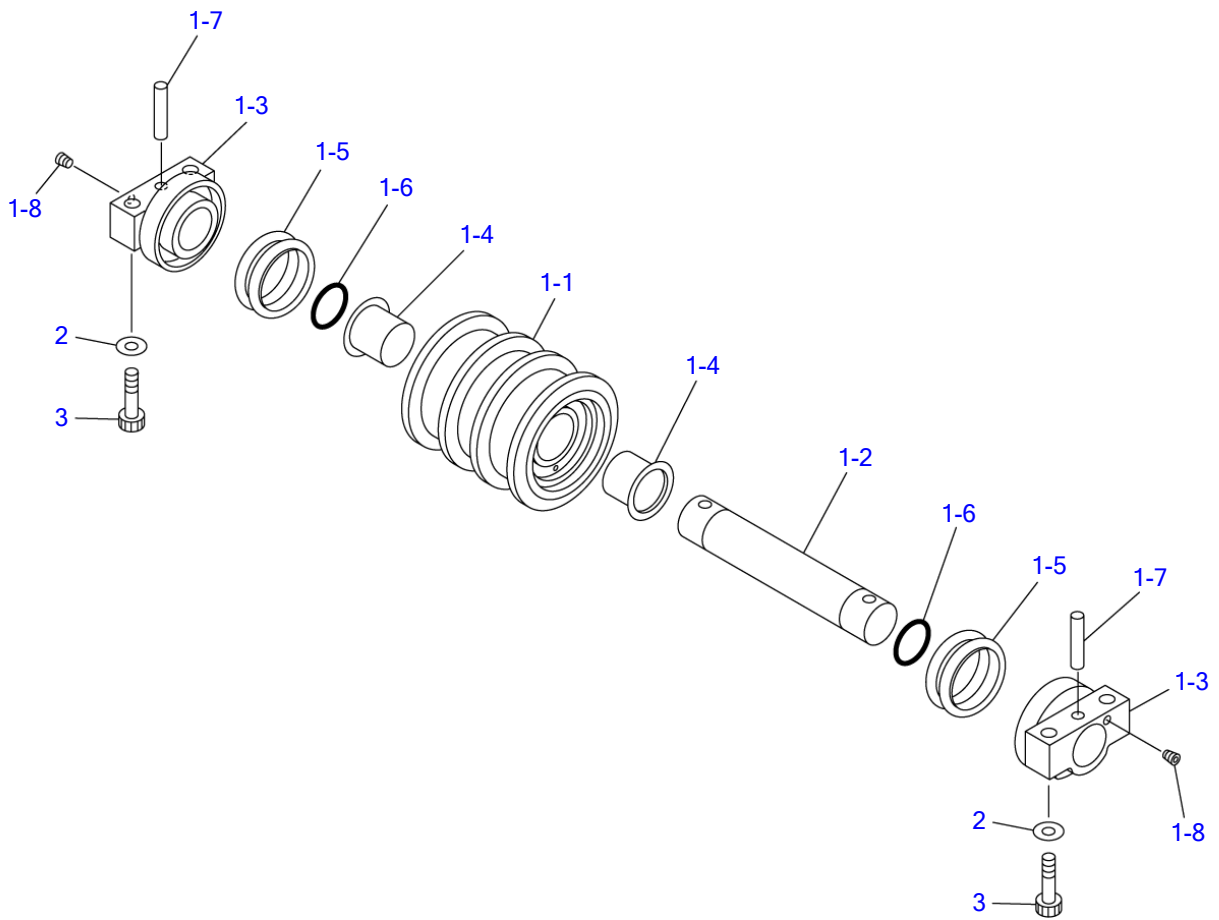
N1A030

S=1/5

CARRIER ROLLER

Item	Part number	Description	Q'ty	Chan.	Serial No.	Serv.	Remarks
		ROLLER ASSY, carrier					X05712-00000-0
1	0571200100	ROLLER ASSY	2				
1-1	1100040820	▪ BOLT	4				
1-2	0571200102	▪ COVER	1				
1-3	1100041016	▪ BOLT	2				
1-4	1501810002	▪ PLUG	1				
1-5	1420100650	▪ O-RING	1				
1-6	0571200106	▪ PLATE	1				
1-7	0571200107	▪ BUSHING	1				
1-8	0571200108	▪ SHAFT	1				
1-9	0571200109	▪ ROLLER	1				
1-10	0571200110	▪ SEAL, floating	1				
1-11	0571200111	▪ BRACKET	1				
2	1101041640	BOLT	4				
3	1141550016	WASHER	4				
	N1a031						

TB1140 Book No. BN1Z002 S/N 51410002-
TRACK ROLLER

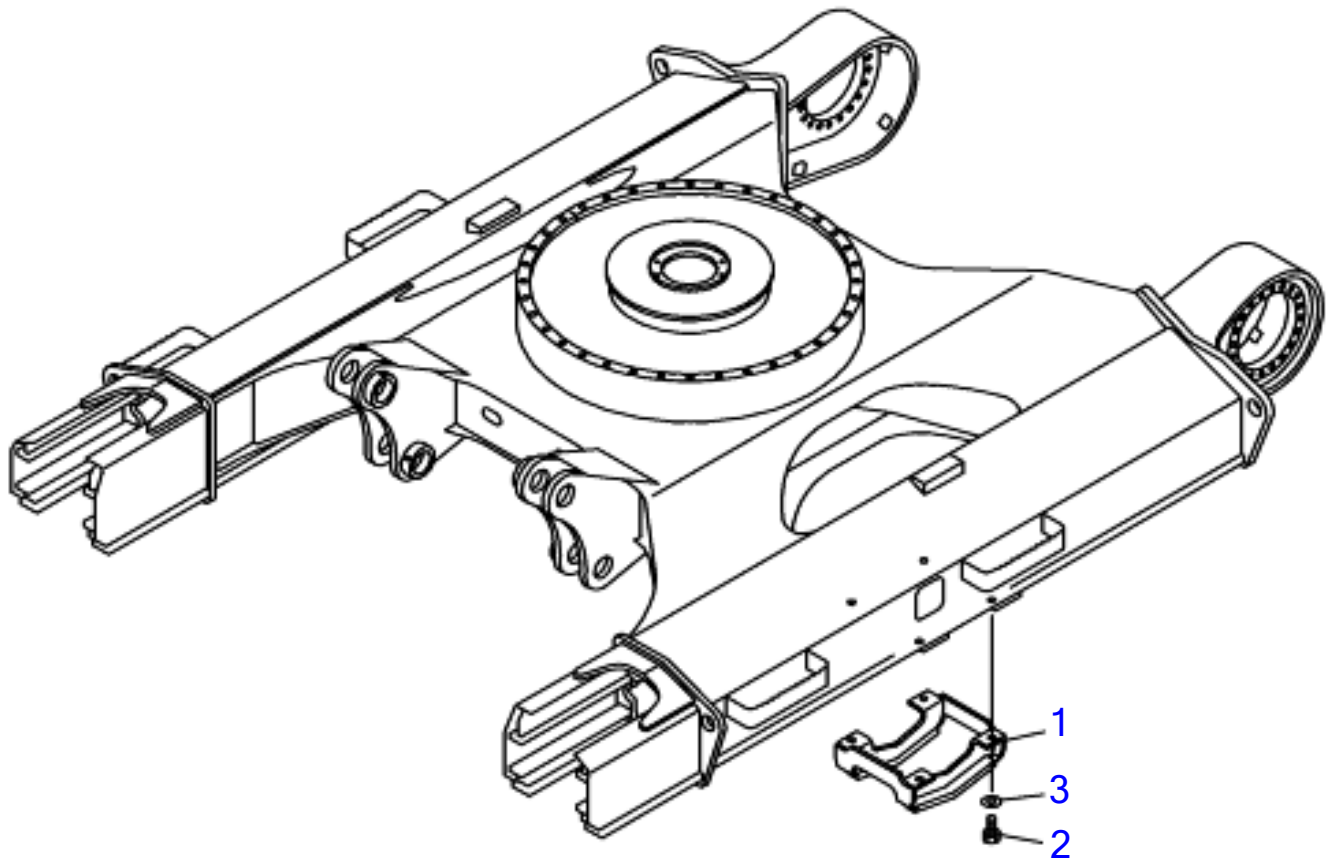


N1A040

S=1/8

TRACK ROLLER

Item	Part number	Description	Q'ty	Chan.	Serial No.	Serv.	Remarks
		ROLLER ASSY, track					X05713-00000-2
1	0571300100	ROLLER ASSY	14				
1-1	0571300110	▪ ROLLER	1				
1-2	0571300120	▪ SHAFT	1				
1-3	0571300130	▪ COLLAR	2				
1-4	0571300140	▪ BUSHING	2				
1-5	1432500730	▪ SEAL, floating	2				
1-6	1420110450	▪ O-RING	2				
1-7	0571300170	▪ PIN	2				
1-8	1501810001	▪ PLUG	2				
2	1141550016	WASHER	56				
3	1111021670	BOLT	56				
	N1a043						



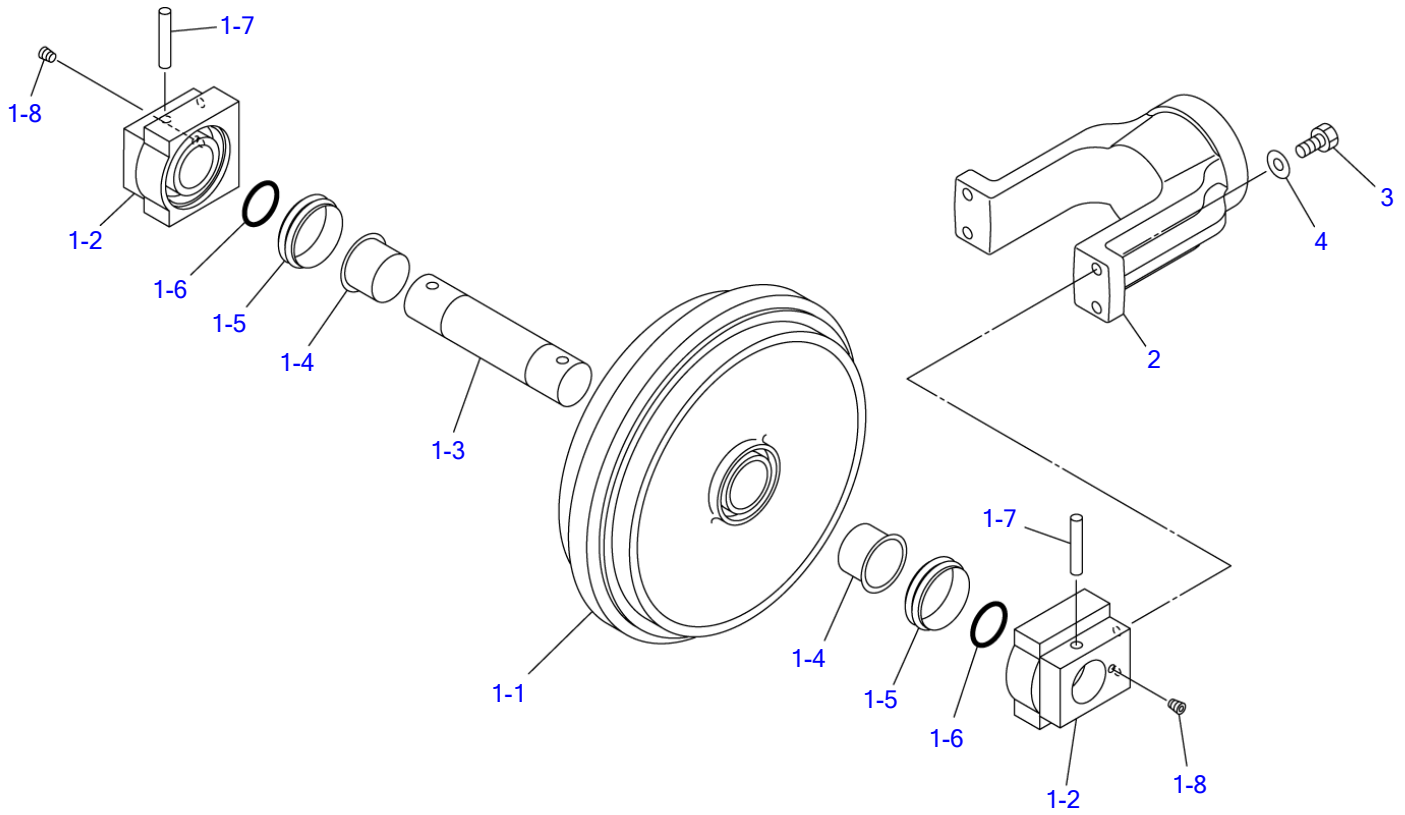
N2A020

2/100

TRACK GUARD

Item	Part number	Description	Q'ty	Chan.	Serial No.	Serv.	Remarks
		TRACK GUARD ASSY					
1	0571700010	GUARD	2				
2	1101041635	BOLT	8				
3	1141550016	WASHER	8				
	N2A020						

TB1140 Book No. BN1Z002 S/N 51410002-
FRONT IDLER

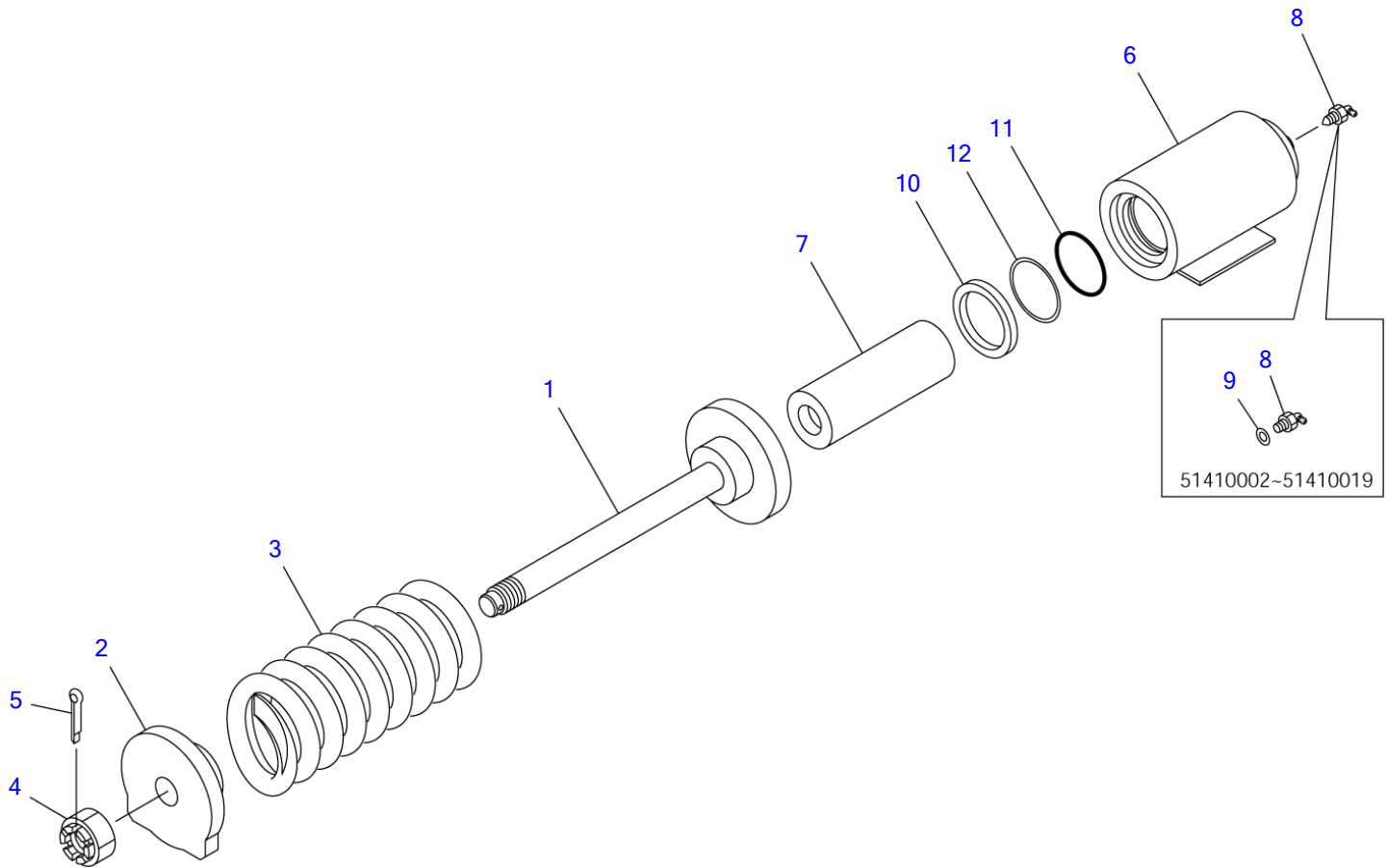


N1A050

S=1/5

Item	Part number	Description	FRONT IDLER			Remarks
			Q'ty	Chan.	Serial No.	
		IDLER ASSY, front				
1	0571400100	IDLER ASSY	2			X05714-00000-0
1-1	0571400110	▪ IDLER	1			
1-2	0571400120	▪ BRACKET	2			
1-3	0571400130	▪ SHAFT	1			
1-4	0571400140	▪ BUSHING	2			
1-5	1432500900	▪ SEAL, floating	2			
1-6	1420110600	▪ O-RING	2			
1-7	0571400170	▪ PIN	2			
1-8	1501810002	▪ PLUG	2			
2	0571400010	YOKE	2			
3	1100041645	BOLT	8			
4	1141550016	WASHER	8			
	N1a052					

TB1140 Book No. BN1Z002 S/N 51410002-
TRACK ADJUSTER

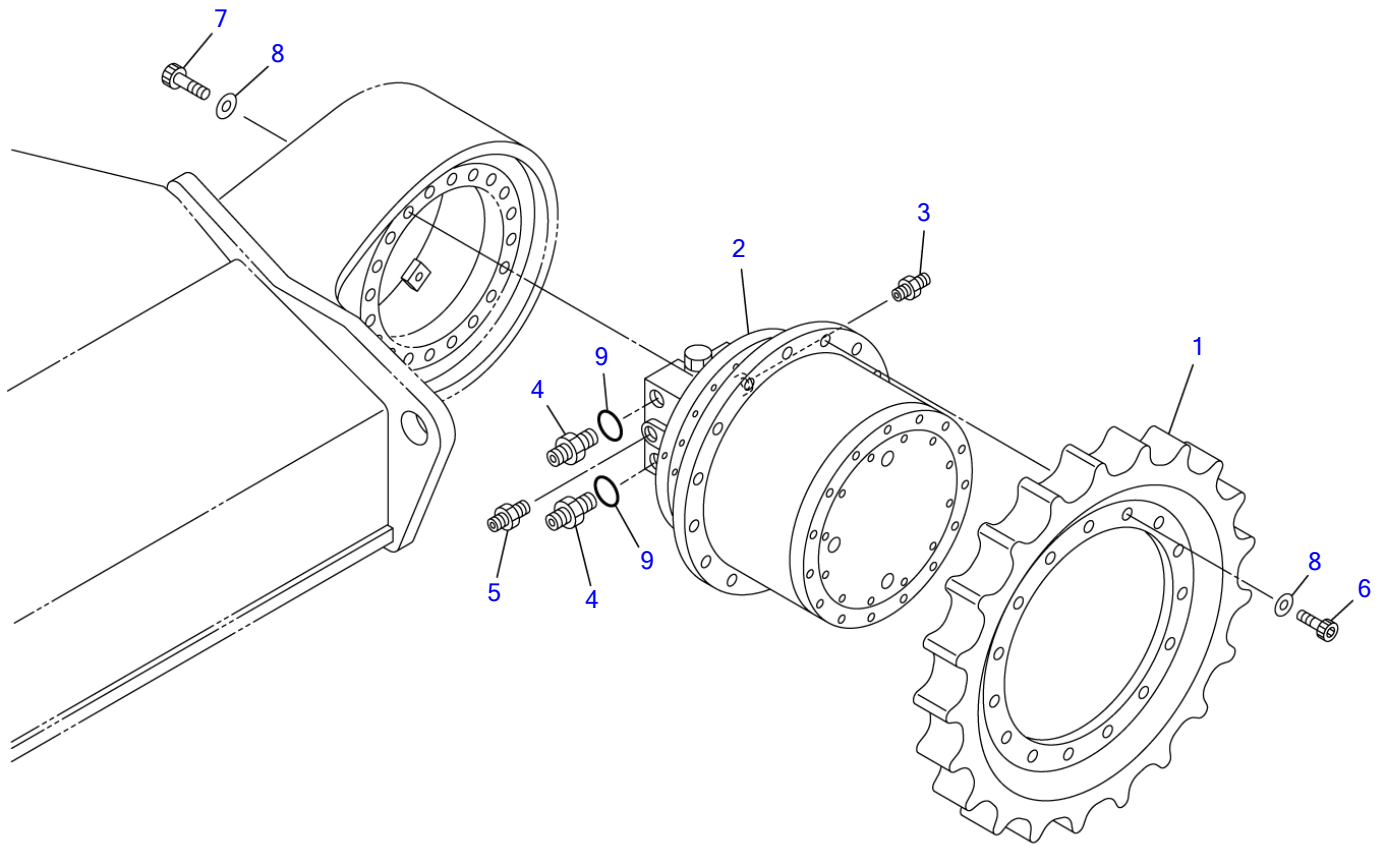


N1A061

S-1/10

TRACK ADJUSTER

Item	Part number	Description	Q'ty	Chan.	Serial No.	Serv.	Remarks
		ADJUSTER ASSY, track (R.H.)					X05715-01000-0
		ADJUSTER ASSY, track (L.H.)					X05715-01300-0
0-1	0571500100	SPRING ASSY	2				
1	0571500110	• ROD	1				
2	0571500120	• PLATE	1				
3	0007000082	• SPRING	1				
4	1132030045	• NUT	1				
5	1213000865	• PIN, spring	1				
0-2	0571500200	CYLINDER ASSY	2		51410002~51410019		
	0571501200	CYLINDER ASSY	2	(H)	51410020~	M	
6	0571500210	• CYLINDER, grease	1		51410002~51410019		
	0571501210	• CYLINDER, grease	1		51410020~	M	
7	0571500220	• PISTON	1		51410002~51410019		
	0571501220	• PISTON	1		51410020~	M	
8	1541301602	• VALVE ASSY, check	1		51410002~51410019		
	1541301604	• VALVE ASSY, check	1		51410020~	M	
9	1541201616	• WASHER	1		51410002~51410019		
10	1400403932	• SEAL, oil	1				
11	1422010900	• O-RING	1				
12	1421020900	• RING, back-up	1				
	N1a062						



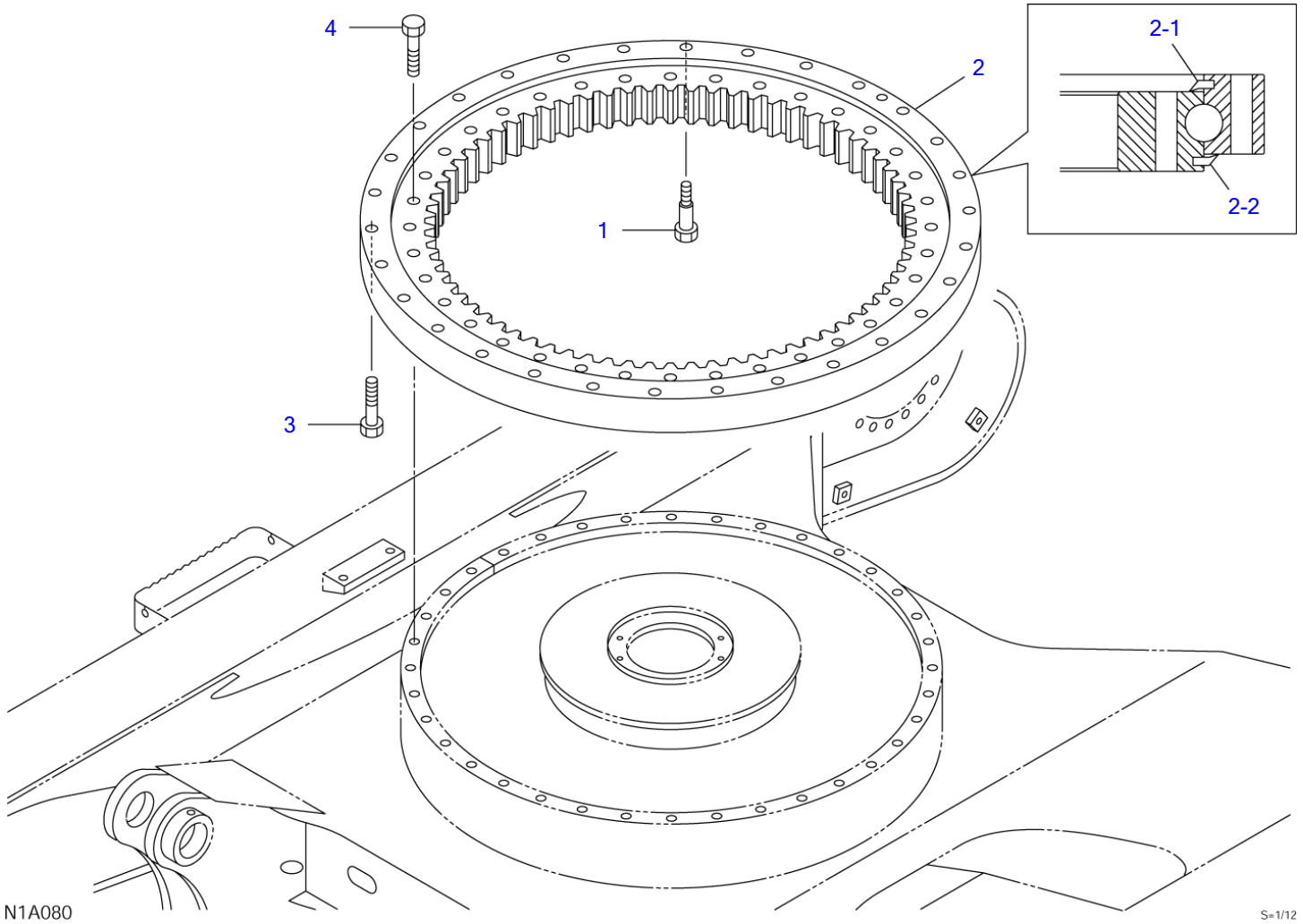
N1A070

S=1/10

TRAVEL DEVICE

Item	Part number	Description	Q'ty	Chan.	Serial No.	Serv.	Remarks
		MOTOR ASSY, travel					X05716-00000-3
1	0571600010	SPROCKET	2				
2	1903126000	MOTOR, travel	2				
3	1515600200	ADAPTOR	2				
	1420010110	• O-RING	1				
4	1511061306	ADAPTOR	4				
	1420010240	• O-RING	1				
5	1515600577	ADAPTOR	2				
	1420010180	• O-RING	1				
6	1110021645	SCREW, cap	30				
7	1110021665	SCREW, cap	40				
8	1141550016	WASHER	70				
9	1420310014	O-RING	4				
	N1a071						

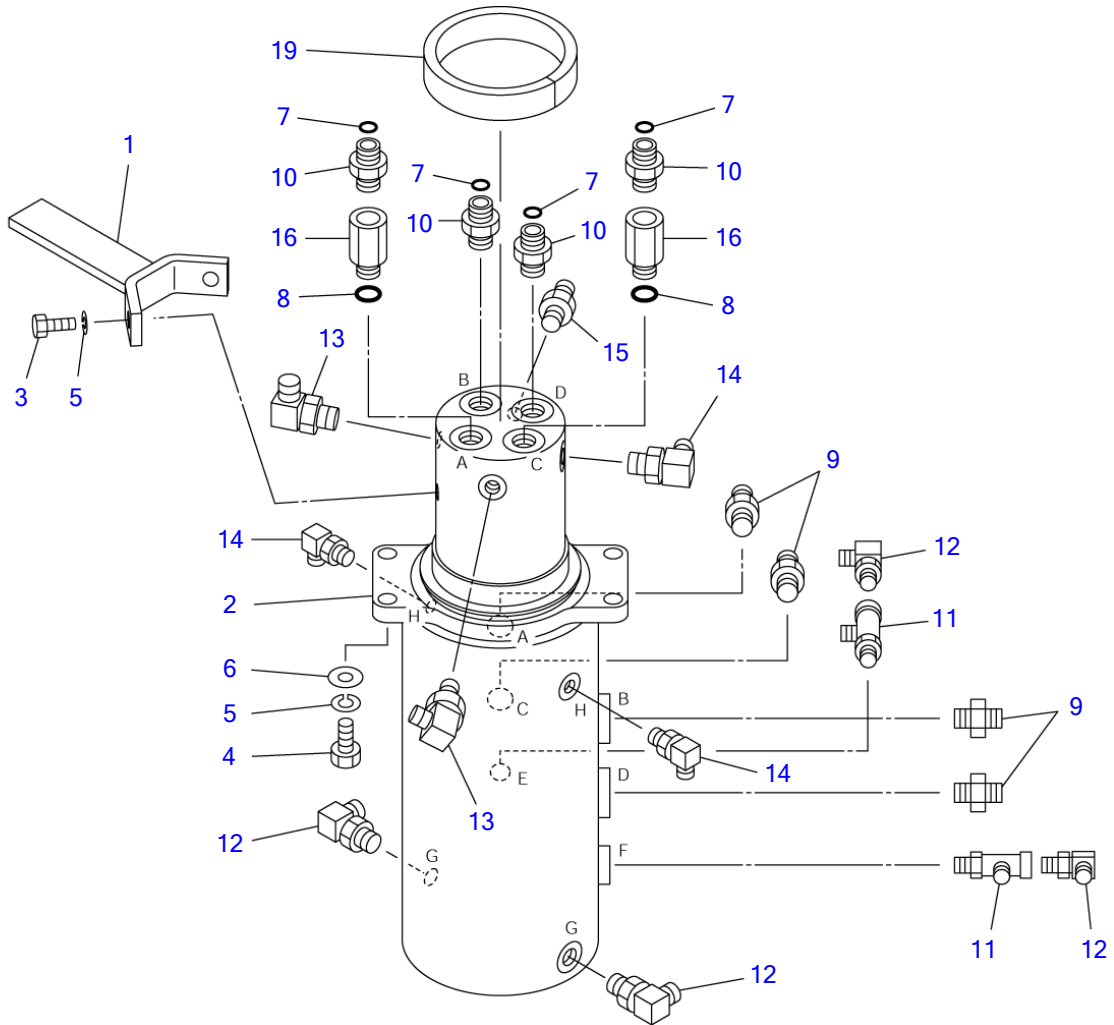
TB1140 Book No. BN1Z002 S/N 51410002-
SLEW BEARING



SLEW BEARING

Item	Part number	Description	Q'ty	Chan.	Serial No.	Serv.	Remarks
		BEARING ASSY, slew					X05720-00100-2
1	0572000120	BOLT	1				
2	1913005050	BEARING ASSY	1				
2-1	1913005058	• SEAL	1				
2-2	1913005059	• SEAL	1				
3	1100041895	BOLT	29				
4	1100141800	BOLT	36				
	N1a081						

TB1140 Book No. BN1Z002 S/N 51410002-
SWIVEL JOINT & ACCESSORIES

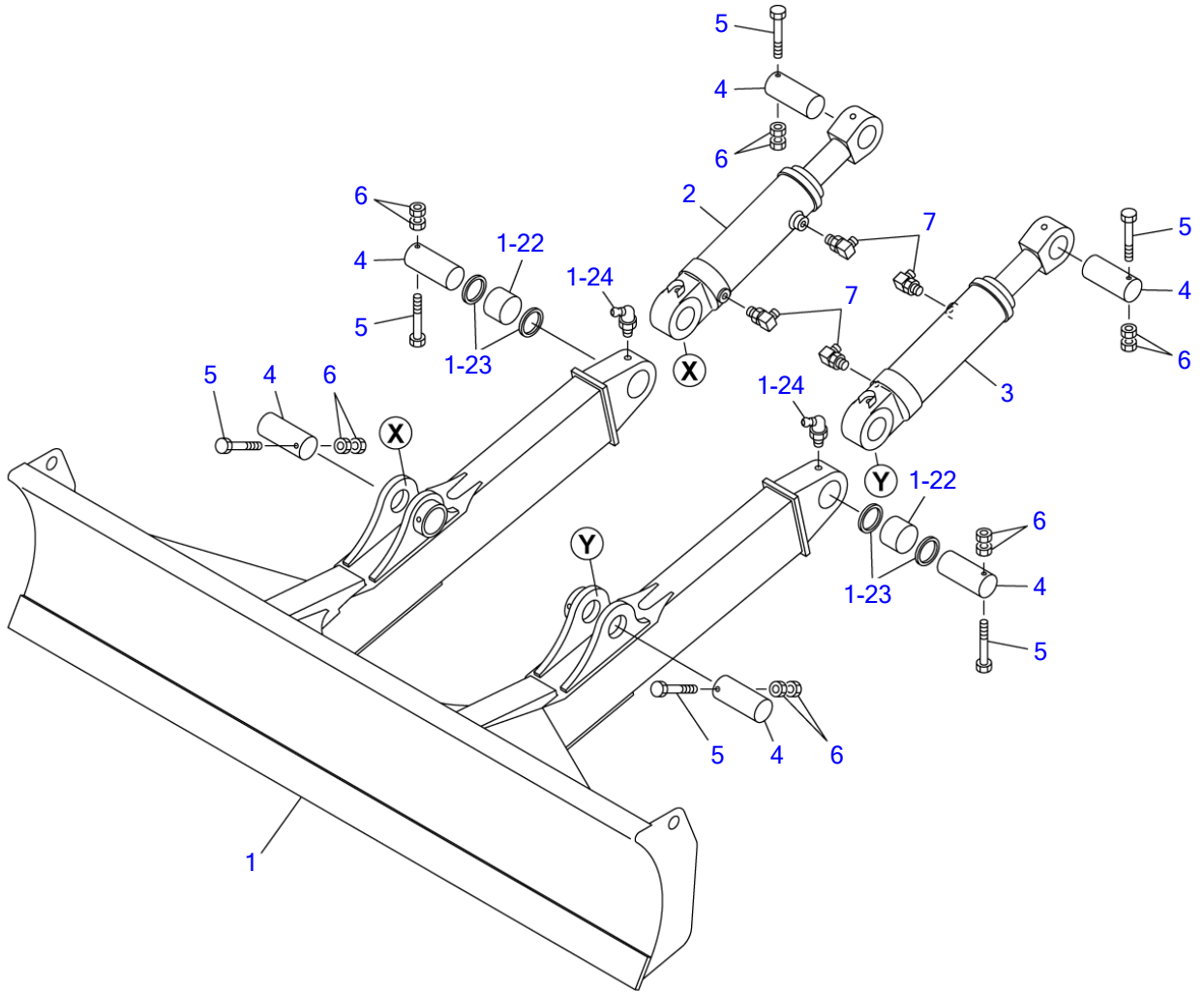


N1A090

S=1/6

SWIVEL JOINT & ACCESSORIES

Item	Part number	Description	Q'ty	Chan.	Serial No.	Serv.	Remarks
		JOINT ASSY, swivel					X05721-00200-2
1	0572100220	COLLAR	1				
2	1904008500	JOINT, swivel	1				
3	1100041225	BOLT	2				
4	1101041235	BOLT	4				
5	1140020012	WASHER, spring	6				
6	1141110012	WASHER	4				
7	1420310016	O-RING	4				
8	1420010180	O-RING	2				
9	1511061304	ADAPTOR	4				
	1420010180	• O-RING	1				
10	1511061604	ADAPTOR	4				
	1420010180	• O-RING	1				
11	1512340011	ELBOW	2				
	1420010140	• O-RING	1				
12	1515010041	ELBOW	4				
	1420010140	• O-RING	1				
13	1515010131	ELBOW	2				
	1420010140	• O-RING	1				
14	1515012040	ELBOW	3				
	1420010110	• O-RING	1				
15	1515600201	ADAPTOR	1				
	1420010140	• O-RING	1				
16	0007213011	BUSHING	2				
	1420010180	* O-RING	1				
19	1654353035	SPONGE	1				M sold by the meter
	N1a092						

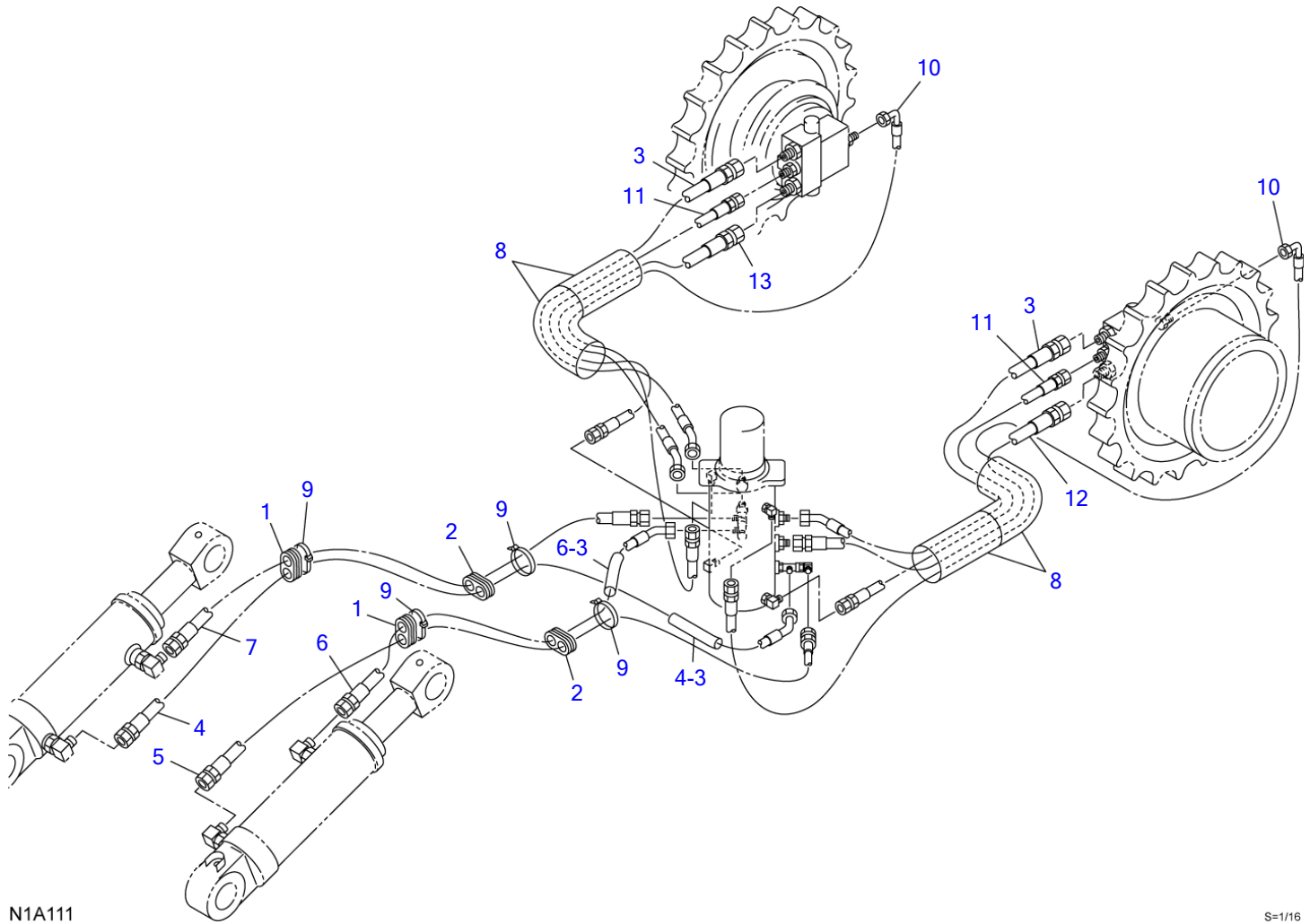


N1A100

S=1/20

DOZER BLADE

Item	Part number	Description	Q'ty	Chan.	Serial No.	Serv.	Remarks
		BLADE ASSY, dozer (500W)					X05763-02000-1
		BLADE ASSY, dozer (600W)					X05763-02500-1
		BLADE ASSY, dozer (700W)					X05763-03000-1
1	0576302300	BLADE, dozer (500W)	1				
	0576302600	BLADE, dozer (600W)	1				
	0576303100	BLADE, dozer (700W)	1				
1-22	0002400056	• BUSHING	2				
1-23	1432200070	• SEAL, dust	4				
1-24	1560001900	• FITTING, grease	2				
2	1900098600	CYLINDER, dozer blade (R.H.)	1				
3	1900098700	CYLINDER, dozer blade (L.H.)	1				
4	0001609165	PIN	6				
5	1103141225	BOLT	6				
6	1130240012	NUT	12				
7	1515010041	ELBOW	4				
	1420010140	• O-RING	1				
	N1a100						



N1A111

S=1/16

BUY NOW

**Then Instant Download
the Complete Manual
Thank you very much!**