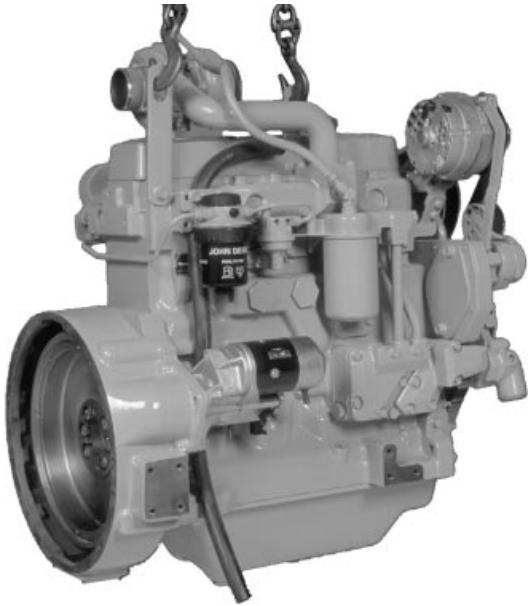


POWERTECH® 4.5 L Engine



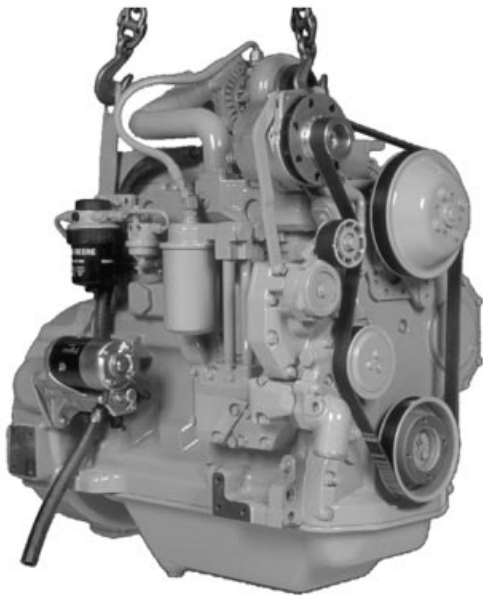
3/4 Right Rear View

RG7636 -UN-23NOV97



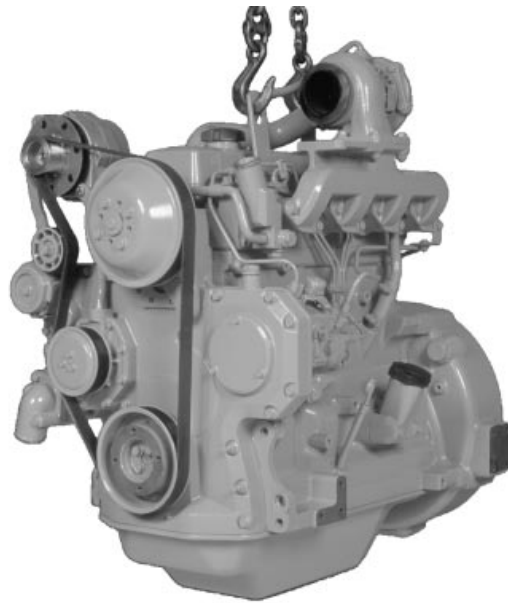
3/4 Left Rear View

RG7638 -UN-23NOV97



3/4 Right Front View

RG7639 -UN-23NOV97



3/4 Left Front View

RG7637 -UN-23NOV97

POWERTECH is a registered trademark of Deere & Company

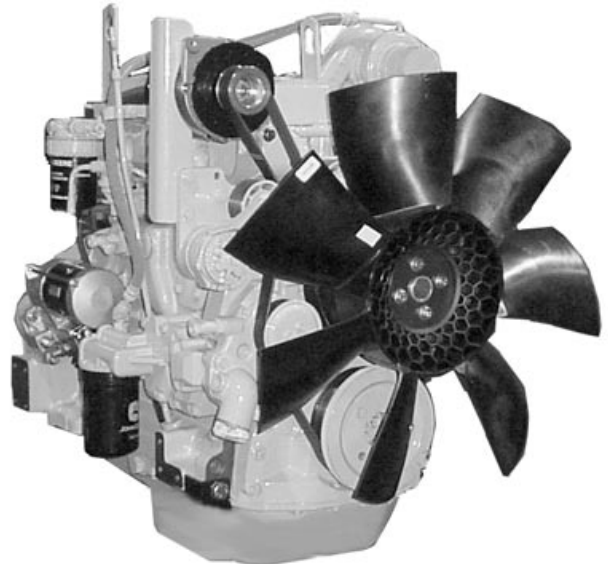
DPSG,OUO1004,129 -19-15MAY98-1/2

POWERTECH® 4.5 L Engine—Tier II



3/4 Left Rear View

RG11931 -JUN-06NOV01



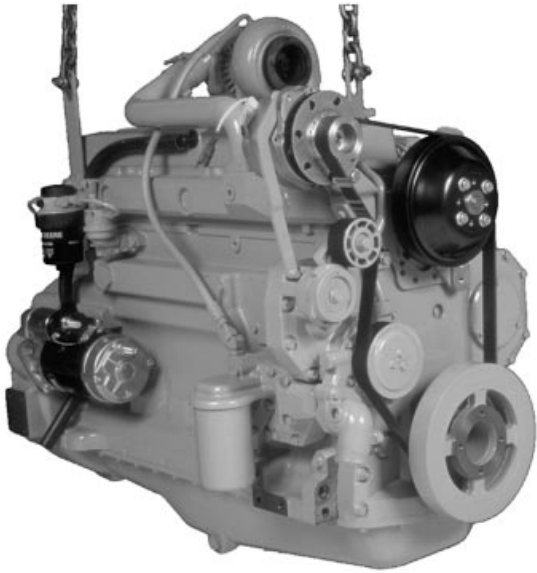
3/4 Right Front View

RG11932 -JUN-06NOV01

POWERTECH is a registered trademark of Deere & Company

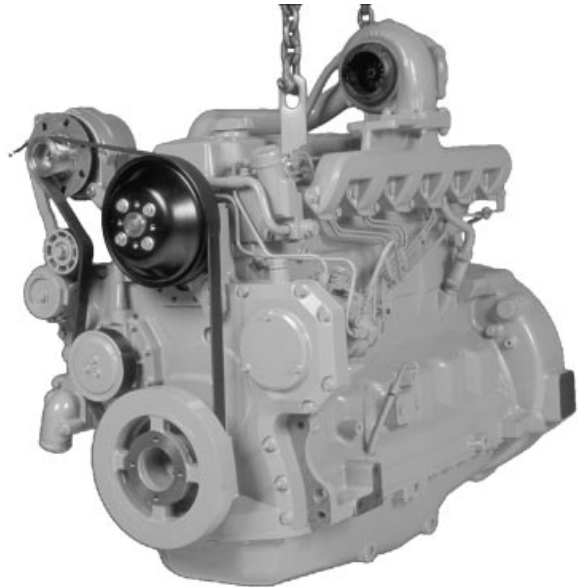
DPSG,OUO1004,129 -19-15MAY98-2/2

POWERTECH® 6.8 L Engine



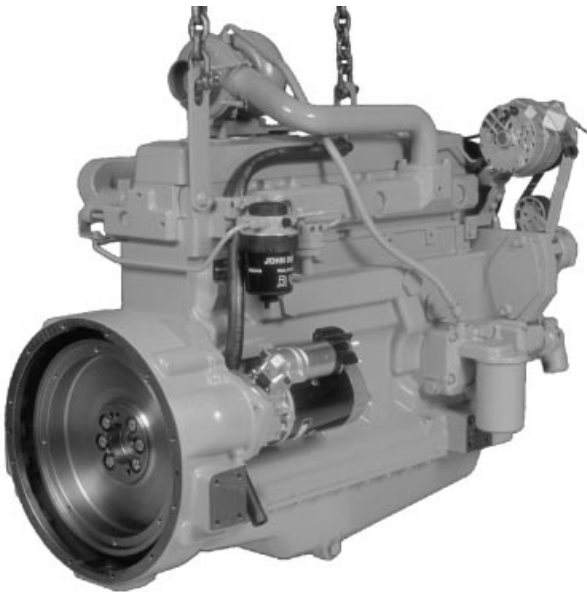
3/4 Right Front View

RG7641 -UN-23NOV97



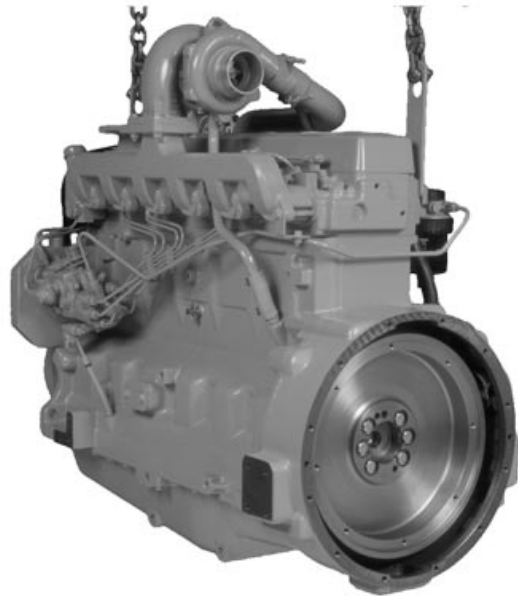
3/4 Left Front View

RG7640 -UN-23NOV97



3/4 Right Rear View

RG7643 -UN-23NOV97



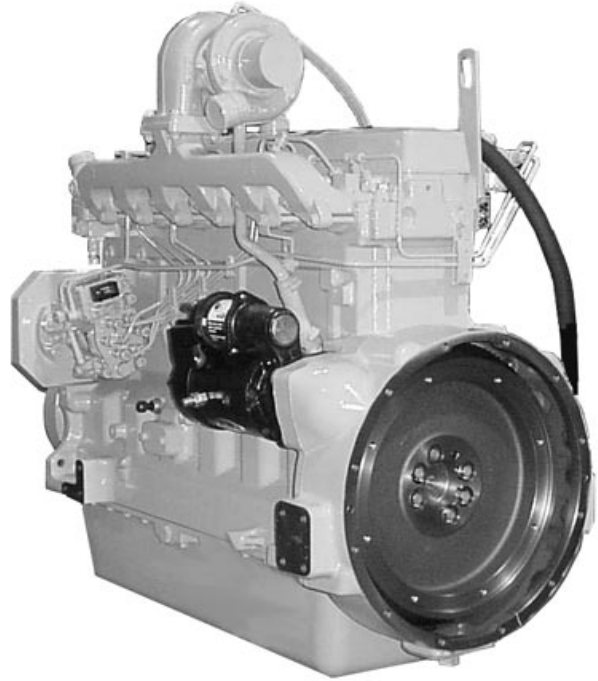
3/4 Left Rear View

RG7642 -UN-23NOV97

POWERTECH is a registered trademark of Deere & Company

DPSG,OUO1004,130 -19-15MAY98-1/2

POWERTECH® 6.8 L Engine—Tier II



3/4 Left Rear View

RG-11933 -UN-24OCT01



3/4 Right Front View

RG-11934 -UN-24OCT01

POWERTECH is a registered trademark of Deere & Company

DPSG,OUO1004,130 -19-15MAY98-2/2

Contents

SECTION 01—General Information

- Group 000—Safety
- Group 001—Engine Identification
- Group 002—Fuels, Lubricants and Coolants

01

SECTION 02—Repair and Adjustments

- Group 010—Engine Rebuild
- Group 020—Cylinder Head and Valves
- Group 030—Cylinder Block, Liners, Pistons and Rods
- Group 040—Crankshaft, Main Bearings and Flywheel
- Group 050—Camshaft, Balancer Shafts and Timing Gear Train
- Group 060—Lubrication System
- Group 070—Cooling System
- Group 080—Air Intake and Exhaust System
- Group 090—Fuel System
- Group 100—Starting and Charging Systems

02

03

04

SECTION 03—Theory of Operation

- Group 120—Base Engine Operation

05

SECTION 04—Diagnostics

- Group 150—Observable Diagnostics and Tests

SECTION 05—Tools and Other Materials

- Group 170—Repair Tools and Other Materials
- Group 180—Diagnostic Service Tools
- Group 190—Dealer Fabricated Service Tools

06

SECTION 06—Specifications

- Group 200—Repair and General OEM Specifications
- Group 210—Diagnostic Specifications

INDX

Section 01

General Information

Contents

	Page
Group 000—Safety	01-000-1
Group 001—Engine Identification	
Engine Model Designation	01-001-1
Engine Serial Number Plate Information	01-001-3
OEM Engine Option Code Label	01-001-4
Information Relative to Emissions	
Regulations	01-001-5
Engine Application Charts	01-001-6
Group 002—Fuels, Lubricants and Coolants	
Diesel Fuel	01-002-1
Bio-Diesel Fuel	01-002-2
Lubricity of Diesel Fuel	01-002-3
Dieselscan Fuel Analysis	01-002-3
Diesel Engine Break-In Oil	01-002-4
Diesel Engine Oil—Non-Certified and Tier I	
Certified Engines	01-002-5
Diesel Engine Oil—Tier II Engines	01-002-6
OILSCAN®, OILSCAN Plus®, COOLSCAN™ and COOLSCAN PLUS™	01-002-7
Grease	01-002-8
Diesel Engine Coolant	01-002-9
Diesel Engine Coolants, Supplemental	
Additive Information	01-002-10
Testing Diesel Engine Coolant	01-002-11
Supplemental Coolant Additives	01-002-12
Operating in Warm Temperature Climates	01-002-12
Flush and Service Cooling System	01-002-13
Disposing of Coolant	01-002-14



Suggest:

If the above button click is invalid.

Please download this document

first, and then click the above link

to download the complete manual.

Thank you so much for reading