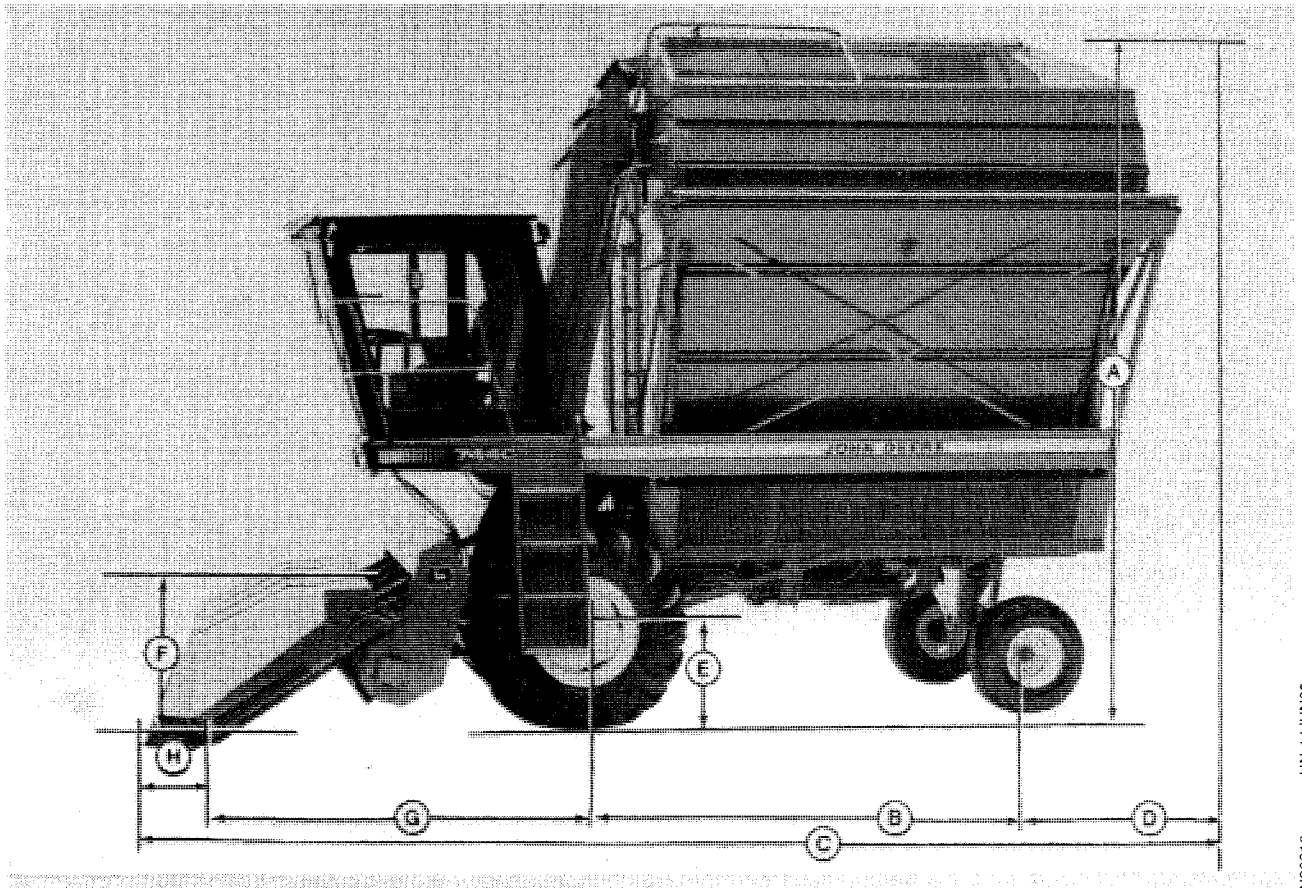
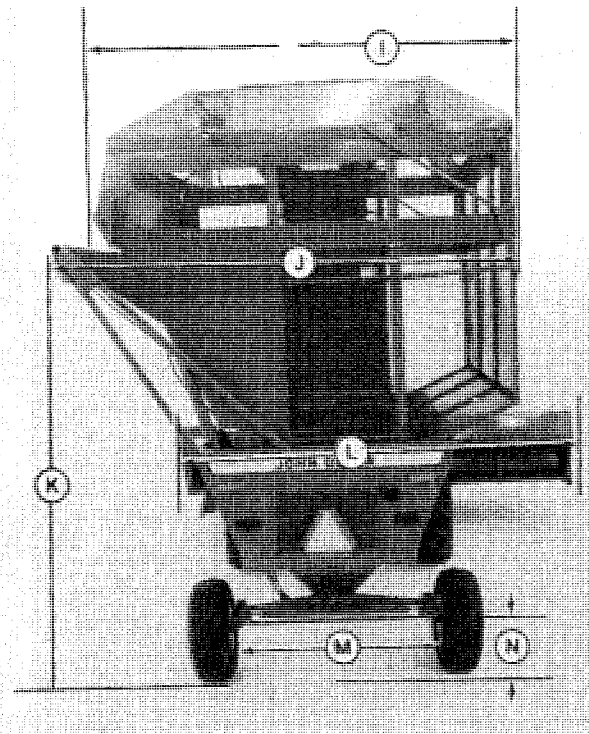


**DIMENSIONS - 7440**



- A—4699 mm (185 in.)
- B—3150 mm (124 in.)
- C—6655 mm (262 in.)
- D—788 mm (31 in.)
- E—648 mm (25-1/2 in.)
- F—902 mm (35-1/2 in.)
- G—2235 mm (88 in.)
- H—483 mm (19 in.)
- I—3332 mm (131-3/16 in.)
- J—3404 mm (134 in.)
- K—3429 mm (135 in.)
- L—3404 mm (134 in.)
- Without Extension;  
3988 mm (157 in.)
- Short Cross Auger Extension;  
4801 mm (189 in.)
- Long Cross Auger Extension
- M—1702 mm (67 in.)
- N—357 mm (14 in.)



N36812 -JUN-14JUN89

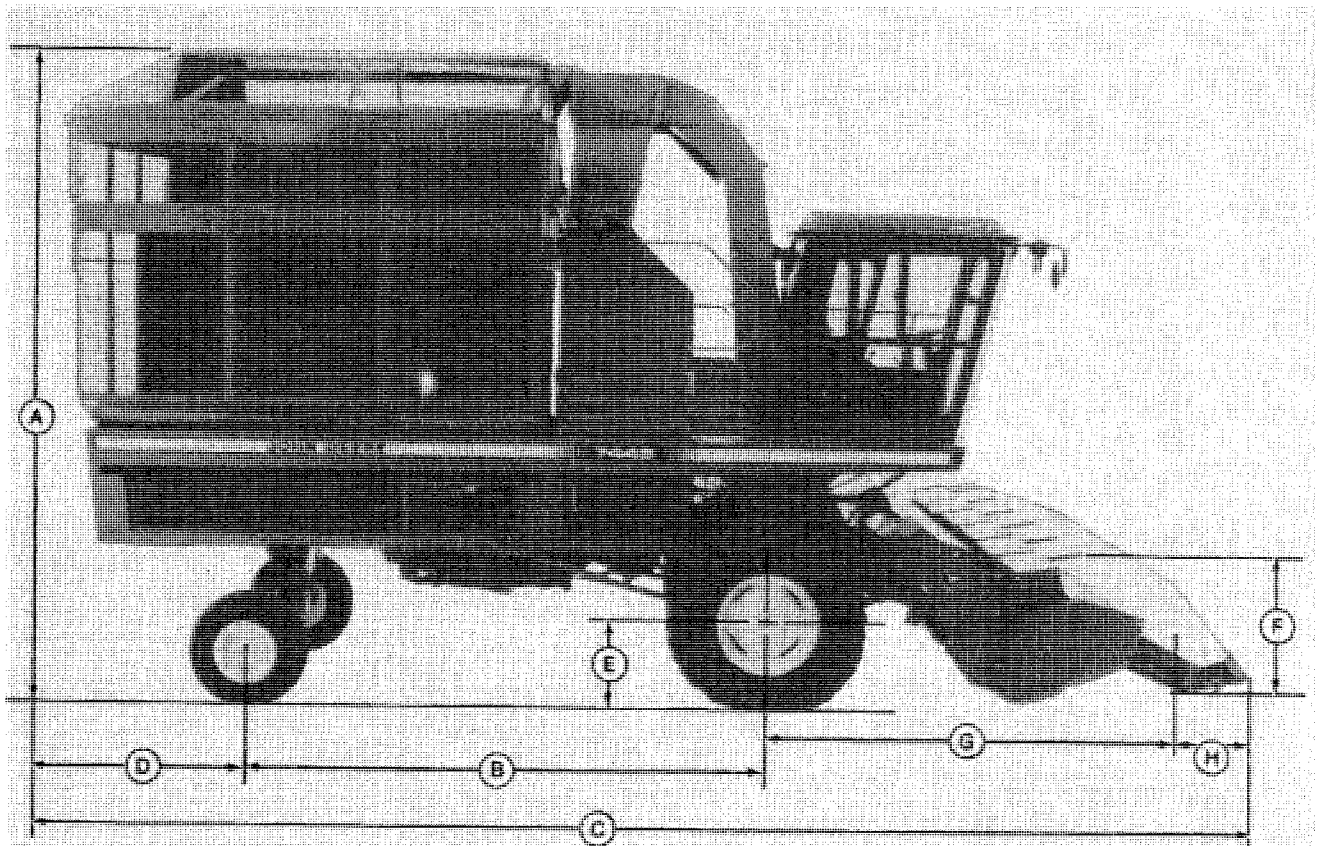
N8256G1 -JUN-04OCT88

NXR,1282,1010,D-19-24MAR94

10  
10  
7

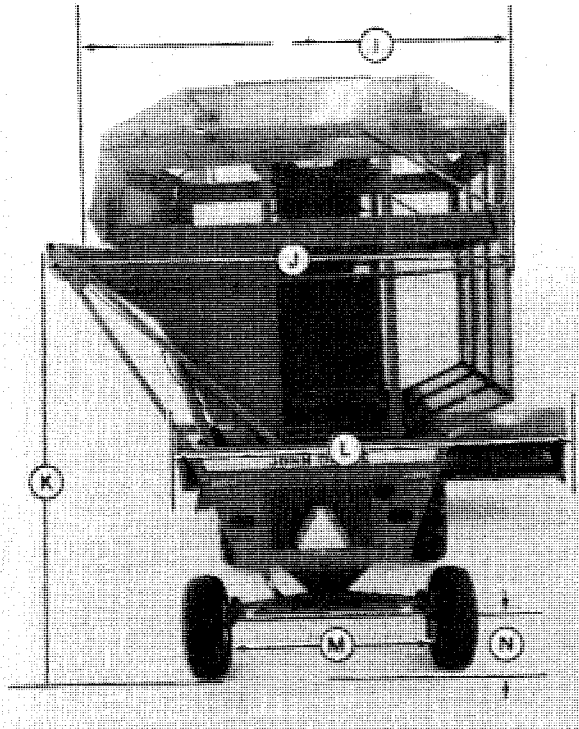
**DIMENSIONS - 7445**

10  
10  
8



N85190F2 -UN-29SEP88

- A—4699 mm (185 in.)
- B—3658 mm (144 in.)
- C—7671 mm (302 in.)
- D—1295 mm (51 in.)
- E—648 mm (25-1/2 in.)
- F—902 mm (35-1/2 in.)
- G—2235 mm (88 in.)
- H—483 mm (19 in.)
- I—3332 mm (131-3/16 in.)
- J—3404 mm (134 in.)
- K—3429 mm (135 in.)
- L—3505 mm (138 in.)
- Without Extension;
- 4013 mm (158 in.)
- Short Cross Auger Extension;
- 4826 mm (190 in.)
- Long Cross Auger Extension
- M—1702 mm (67 in.) (P.I.N. -4000)
- 1854 mm (73 in.) (P.I.N. 4001- )
- N—400 mm (15-3/4 in.) (P.I.N. -4000)
- 490 mm (19-5/16 in.) (P.I.N. 4001- )



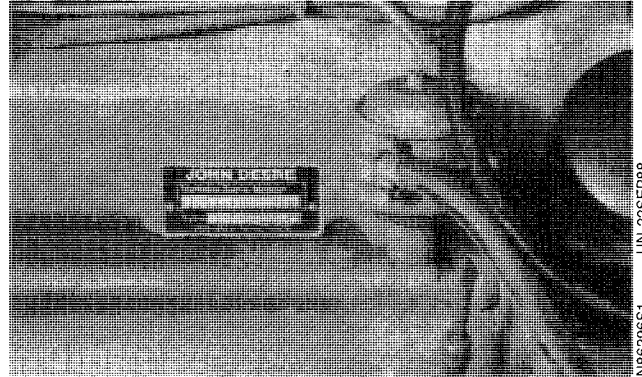
UN-04OCT88

NXR,1282,1010,E-19-24MAY94

## SERIAL NUMBERS

Use serial numbers in all correspondence with the factory on the following items.

The engine serial number is located on the left-hand side of engine block.



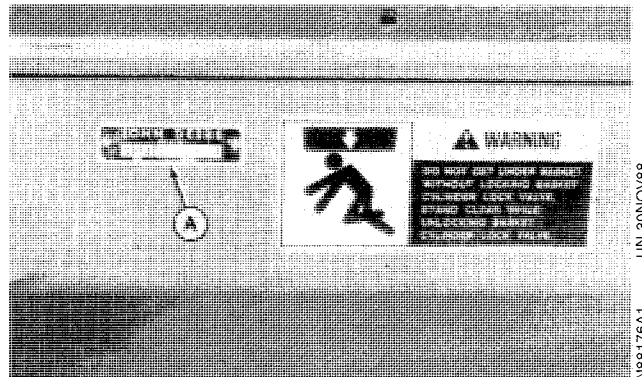
NXN,1005,BW -19-08APR92

On 7440 and 7445 Strippers (P.I.N. -6000), the machine product identification number (A) is located above the left-hand drive wheel on platform support.



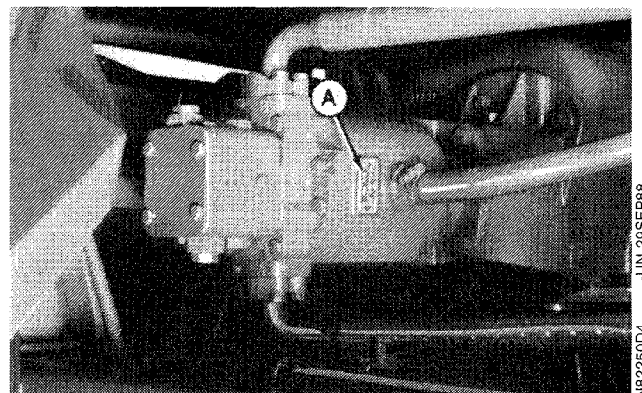
NX1282,1010,D -19-11MAR94

On 7445 Strippers (P.I.N. 6001- ), the machine product identification number (A) is located on the left-hand side frame.



NX1282,1010,E -19-11MAR94

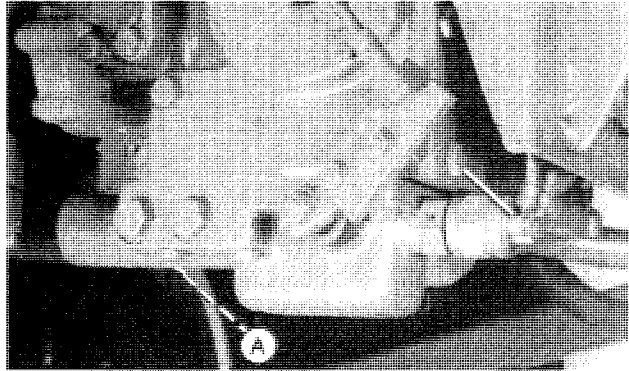
The EATON hydrostatic motor serial number (A) is located on rear of motor.



NX1282,1010,F -19-11MAR94

General Specifications/Serial Numbers

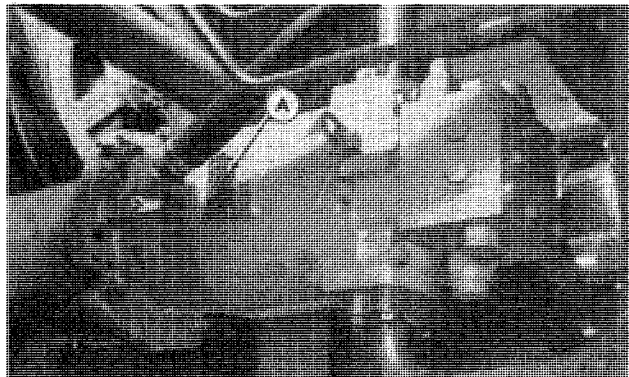
The EATON hydrostatic pump serial number (A) is located on bottom of the pump.



NX1282,1010,G -19-11MAR94

N82250C4 -UN-29SEP88

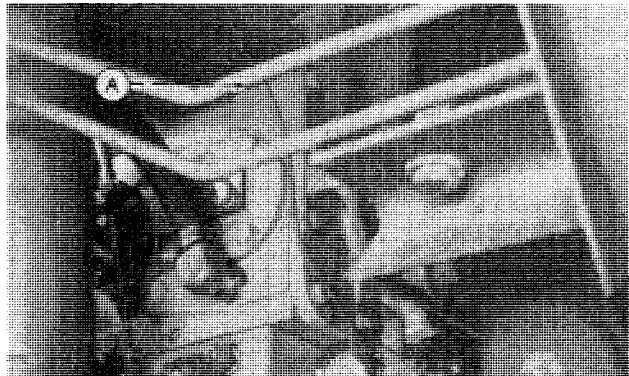
The SUNDSTRAND hydrostatic motor serial number (A) is located on front side of motor.



NX1282,1010,H -19-11MAR94

N86297J1 -UN-22SEP88

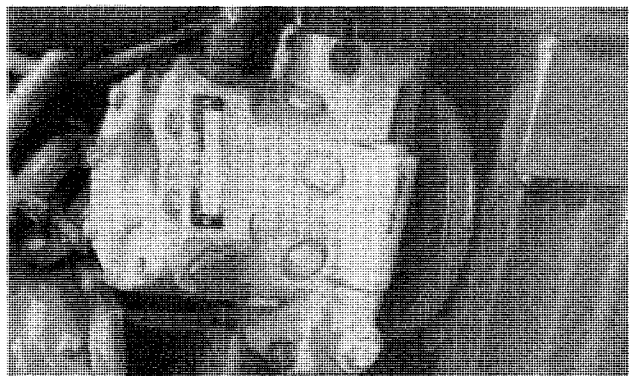
The SUNDSTRAND hydrostatic pump serial number (A) is located on top of pump.



NX1282,1010,I -19-11MAR94

N86297K1 -UN-22SEP88

The hydraulic pump serial number is located on the left-hand side of pump.



NXR,1282,1010,J-19-14MAY92

N86300B1 -UN-27SEP88

10  
10  
10



**Suggest:**

**If the above button click is invalid.**

**Please download this document**

**first, and then click the above link**

**to download the complete manual.**

**Thank you so much for reading**