

Product: ARTICULATED TRUCK

Model: 730 ARTICULATED TRUCK 3T3

Configuration: 730 Articulated Truck 3T300001-UP (MACHINE) POWERED BY C13 Engine

Disassembly and Assembly C13 Engine for Caterpillar Built Machines

Media Number -UENR0131-06

Publication Date -01/05/2015

Date Updated -27/06/2018

i05331988

Camshaft - Remove and Install

SMCS - 1210-010

Removal Procedure

Table 1

| Required Tools | | | |
|----------------|-------------|-----------------------|-----|
| Tool | Part Number | Part Description | Qty |
| A | 1U-7638 | Magnetic Holding Tool | 18 |
| B | 201-4211 | Camshaft Pilot | 1 |
| | 201-4212 | Camshaft Pilot | 1 |

Start By:

- a. Remove the rocker arms and shafts.
 - b. Remove the front cover.
 - c. Remove the camshaft position sensor.
 1. Turn the crankshaft to top center compression stroke for the No. 1 piston. Install the timing bolt in the flywheel.
-

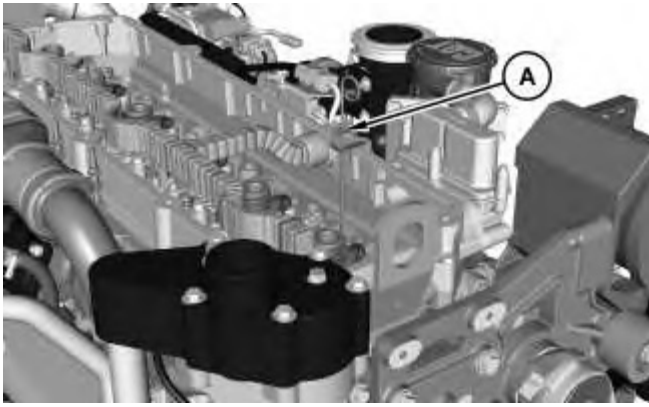


Illustration 1

g01878122

2. Install Tooling (A) in order to support the lifter. Repeat for all the remaining lifters.

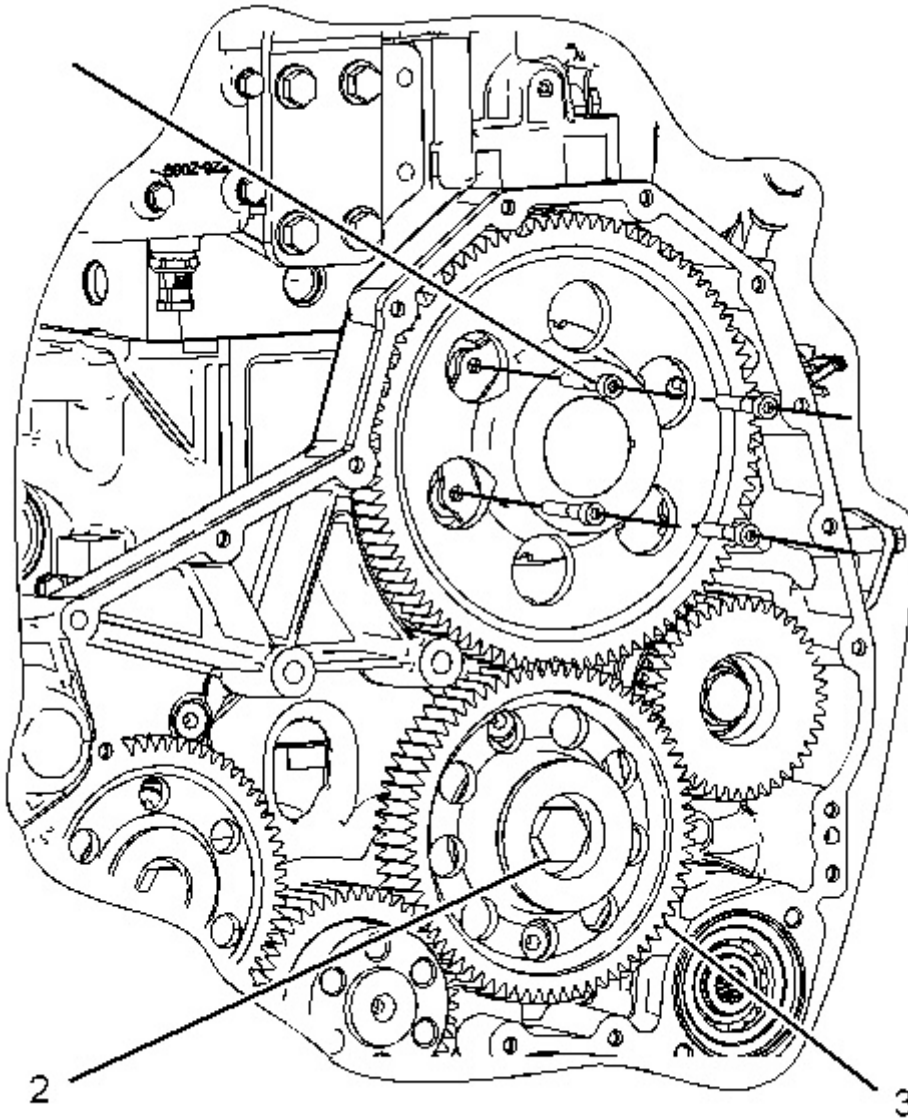


Illustration 2

g03377797

3. Remove bolts (1). Remove bolt (2) and idler gear (3) for assembly purposes.

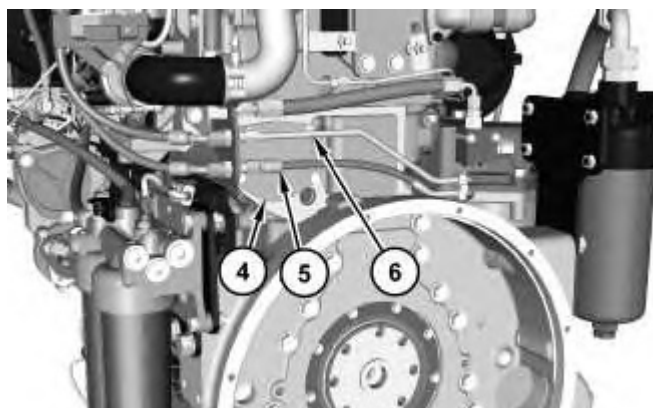


Illustration 3

g03377807

4. Remove tube assembly (6) and hose assembly (5). Remove cover (4).

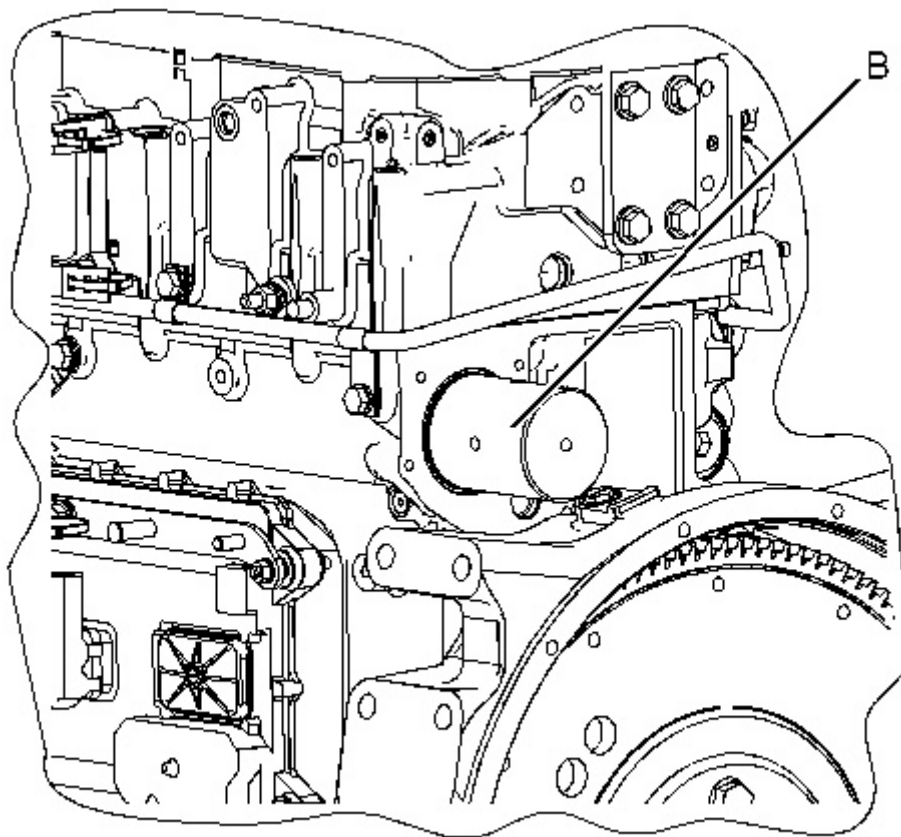


Illustration 4

g01325027

5. Install Tooling (B) onto the camshaft.

**Thank you very much
for your reading.**

**Please click here to buy
After you pay.**

**Then, you can
download the complete
manual instantly.
No waiting.**