

Product: BACKHOE LOADER

Model: 424D BACKHOE LOADER BKR

Configuration: 424D Backhoe Loader BKR00001-00528 (MACHINE) POWERED BY 3054 Engine

Disassembly and Assembly 416D, 420D, 424D, 428D, 430D, 432D, 438D and 442D Backhoe Loaders Power Train

Media Number -REN3578-12

Publication Date -01/04/2010

Date Updated -13/04/2010

i01381641

Transmission (Direct Drive) - Assemble

SMCS - 3030-016-DD; 3066-016

Assembly Procedure

Table 1

Required Tools			
Tool	Part Number	Part Description	Qty
A	137-8102	Spring Compressor	1
B	1P-1859	Snap Ring Pliers	1
C	4C-3652	Spring Compressor	1
D	6V-2157	Link Bracket	1
E	8T-5096	Indicator	1
F	1U-5750	Engine Stand	1

Note: The transmission will be assembled in major components. The major components will then be assembled.

Note: Cleanliness is an important factor. Before assembly, all parts should be thoroughly cleaned in cleaning fluid. Allow the parts to air dry. Wiping cloths or rags should not be used to dry parts. Lint may be deposited on the parts which may cause later trouble. Inspect all parts. If any parts are worn or damaged, use new parts for replacement.

Note: Apply a light film of clean transmission oil to all components before assembly.

Transmission case

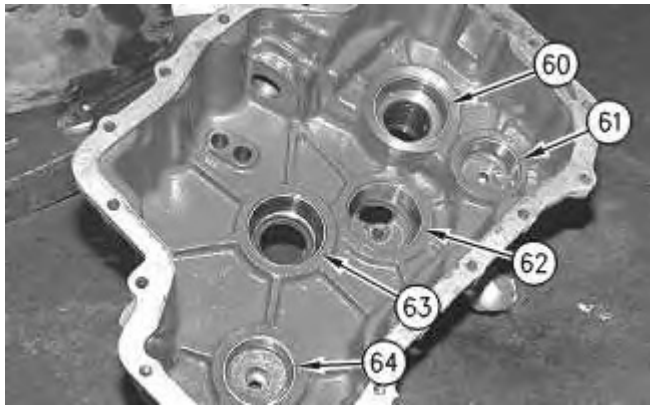


Illustration 1

g00729262

Note: Install the shims behind each bearing cup that was recorded on the disassembly procedure.

1. Install bearing cups (60), (61), (62), (63), and (64) .

(Direct Drive) Input Shaft

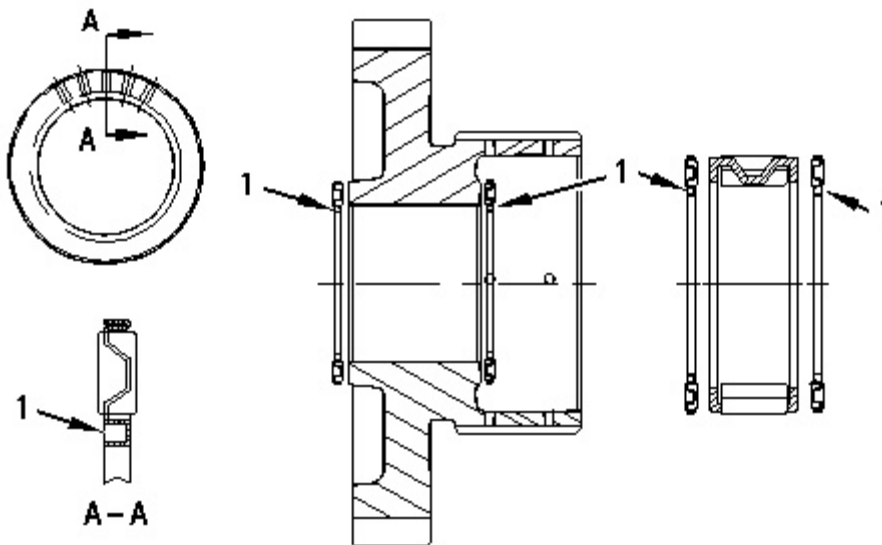


Illustration 2

g00731364

1. Install the needle thrust bearings on the shafts. The open end of cups (1) must point away from the bearings or gears that are contacted.
-

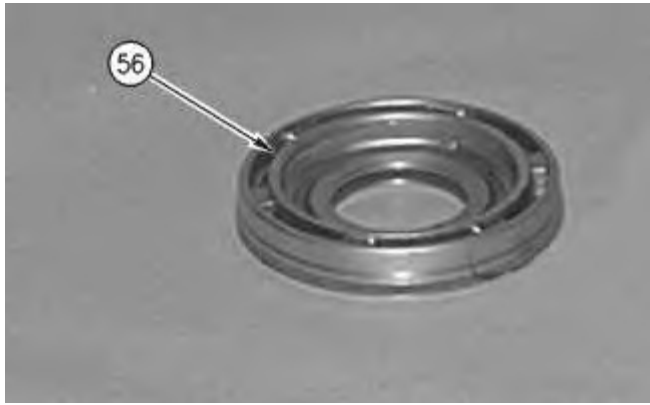


Illustration 3

g00729745

2. Install the seals on piston (56) .

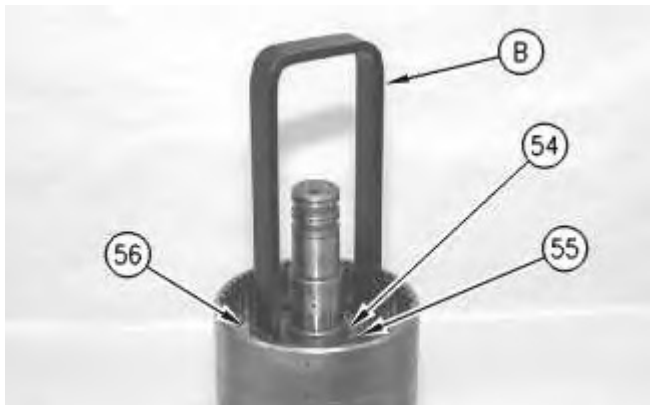


Illustration 4

g00729752

3. Install piston (56). Install the retainer and spring (55). Use tooling (A) and a suitable press in order to compress spring (55). Use tooling (B) in order to install snap ring (54) .

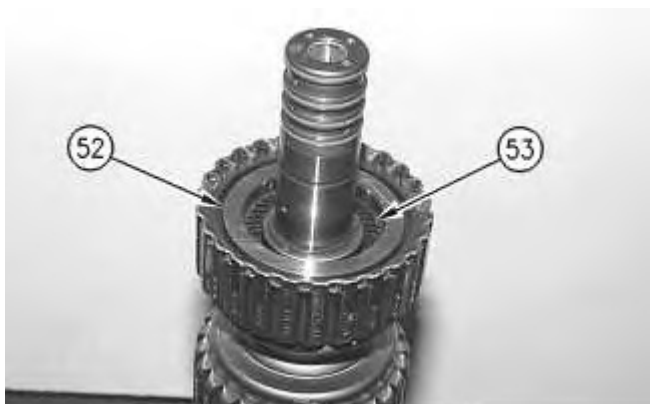


Illustration 5

g00729210

**Thank you very much
for your reading.**

**Please click here to buy
After you pay.**

**Then, you can
download the complete
manual instantly.
No waiting.**