

Product: MOTOR GRADER

Model: 160M 2 MOTOR GRADER R9L

Configuration: 160M Series 2 MOTOR GRADER R9L00001-UP (MACHINE) POWERED BY C9 ENGINE

Disassembly and Assembly

12M Series 2, 140M Series 2 and 160M Series 2 Motor Graders Power Train

Media Number -KENR8899-03

Publication Date -01/05/2017

Date Updated -18/05/2017

i06013976

Rear Axle, Differential and Final Drive - Disassemble

SMCS - 3258-015; 3278-015; 3282-015-RE; 4050-015; 4068-015

Disassembly Procedure

Table 1

Required Tools			
Tool	Part Number	Part Description	Qty
A	439-3940	Link Bracket	4
B	140-7742	Sleeve	2
C	386-6031	Lever Puller Hoist	1
D	154-6182	Forcing Bolt	3
E	439-3939	Link Bracket	2
F	8B-7551	Bearing Puller Gp	1
	1P-5546	Crossarm	1
	3H-0465	Push-Puller Plate	2
	5F-7366	Forcing Screw	1
G	292-4949	Socket Wrench As	1
H	154-6183	Forcing Bolt	3
J	1U-6405	Three Jaw Puller	1

Start By:

- A. Remove the rear axle.

NOTICE

Keep all parts clean from contaminants.

Contaminants may cause rapid wear and shortened component life.

Note: Inspect the O-ring seals. Replace the O-ring seals that are worn or damaged.

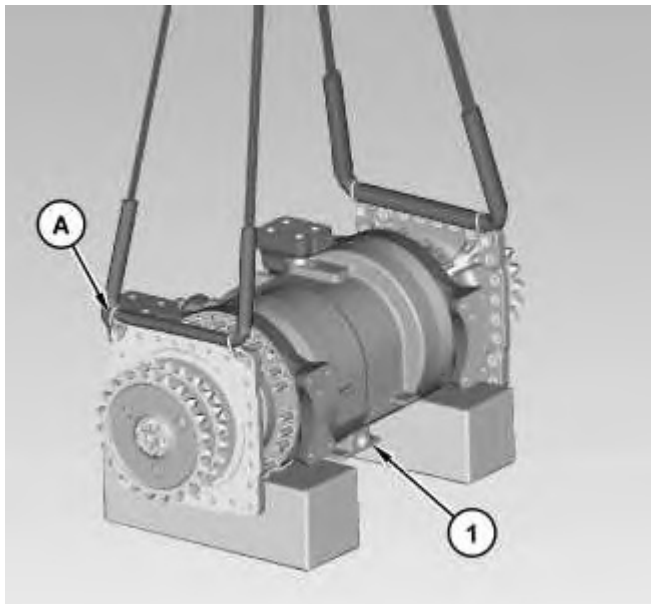


Illustration 1

g01413868

1. Use Tooling (A) , Tooling (B) , and two suitable lifting devices in order to position rear axle (1) onto suitable blocking. The weight of rear axle (1) is approximately 1089 kg (2400 lb).

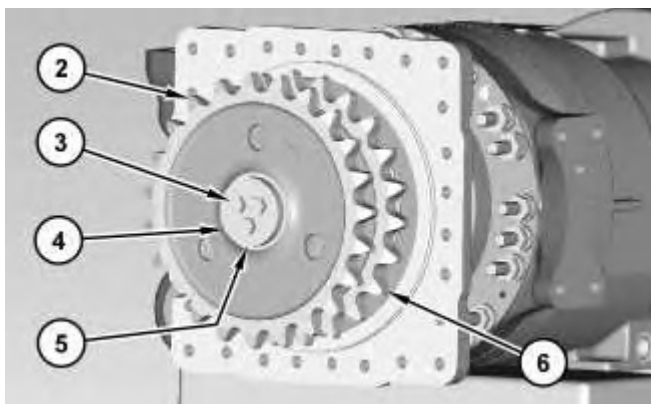


Illustration 2

g01418559

2. Remove bolts (3) , retainer (4) , shims (5) , sprocket (2) , and sprocket (6) .

Note: Note the quantity and the order of shims (5) .

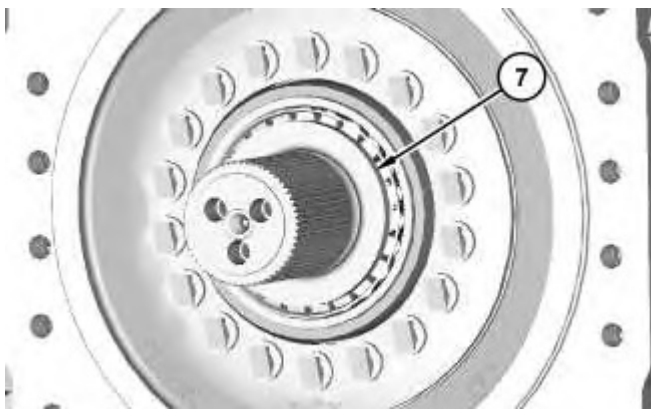


Illustration 3

g01414357

3. Remove bearing cone (7) .

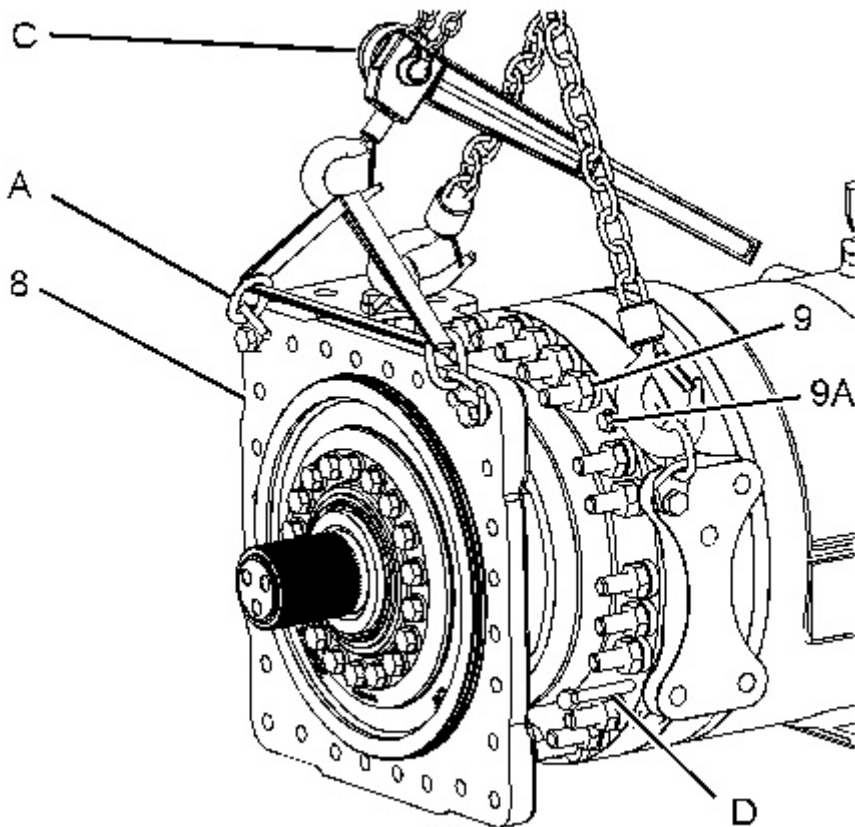


Illustration 4

g01412778

**Thank you very much
for your reading.**

**Please click here to buy
After you pay.**

**Then, you can
download the complete
manual instantly.
No waiting.**