

Product: EXCAVATOR

Model: 320D LRR EXCAVATOR DHE

Configuration: 320D LRR Excavator DHE00001-UP (MACHINE) POWERED BY C6.4 Engine

Disassembly and Assembly C6.4 Engine for Caterpillar Built Machines

Media Number -KENR8106-09

Publication Date -01/10/2017

Date Updated -18/10/2017

i02741773

Engine Oil Pump - Remove

SMCS - 1304-011

Removal Procedure

Table 1

Required Tools			
Tool	Part Number	Part Description	Qty
A	1P-2320	Combination Puller	1
B	1P-0510	Driver Group	1

Start By:

- Remove the front housing. Refer to Disassembly and Assembly, "Housing (Front) - Remove".

NOTICE

Keep all parts clean from contaminants.

Contaminants may cause rapid wear and shortened component life.

NOTICE

Care must be taken to ensure that fluids are contained during performance of inspection, maintenance, testing, adjusting, and repair of the product. Be prepared to collect the fluid with suitable containers

before opening any compartment or disassembling any component containing fluids.

Refer to Special Publication, NENG2500, "Dealer Service Tool Catalog" for tools and supplies suitable to collect and contain fluids on Cat products.

Dispose of all fluids according to local regulations and mandates.

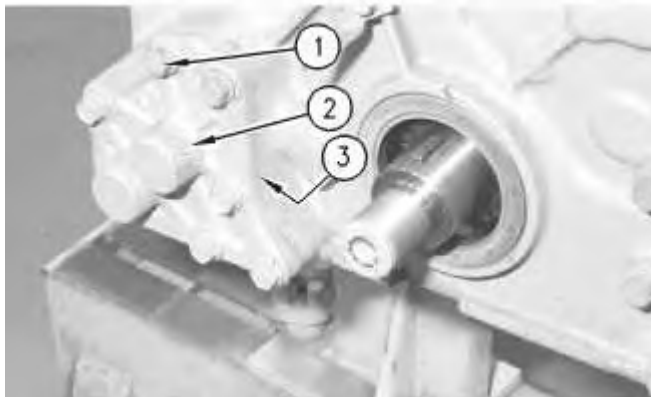


Illustration 1

g00607826

Note: Illustration 1 does not show that the front housing is removed from the cylinder block.

1. Remove bolts (1) from the cover (2).
2. Remove cover (2) for the engine oil pump from the front housing. Remove gasket (3) (not shown).

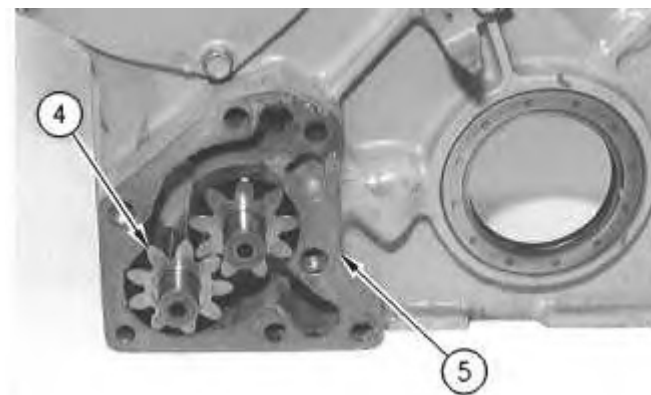


Illustration 2

g00607770

3. Remove driven gear (4) for the oil pump. Pull the gear straight out of the front housing (5) (slip fit).
-

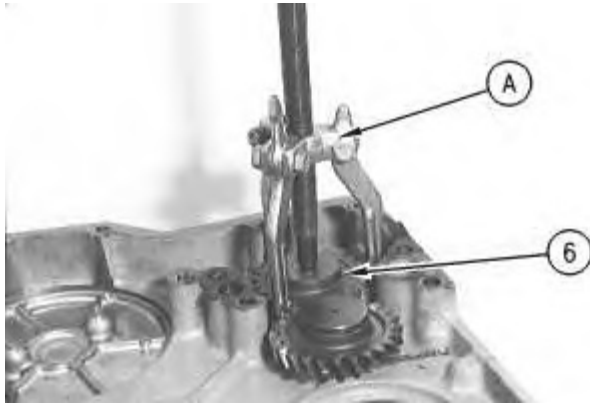


Illustration 3

g00607857

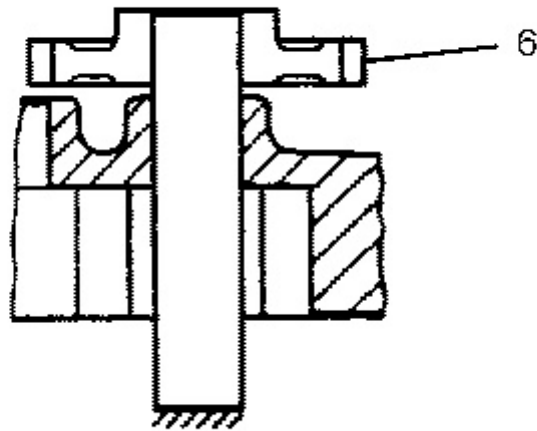


Illustration 4

g01375400

4. Use Tooling (A) in order to remove oil pump gear (6) from the front housing.

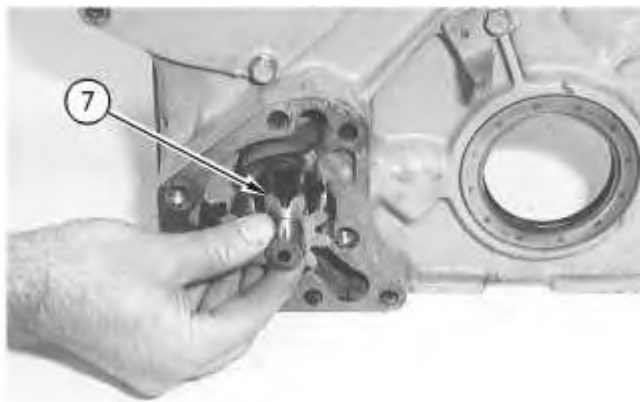


Illustration 5

g00607885

5. Remove drive gear (7) from the front housing.

**Thank you very much
for your reading.**

**Please click here to buy
After you pay.**

**Then, you can
download the complete
manual instantly.
No waiting.**