

2. Install swashplate (43).
3. Install shaft (37).
4. Install plug (36).
5. Install dowel (28).

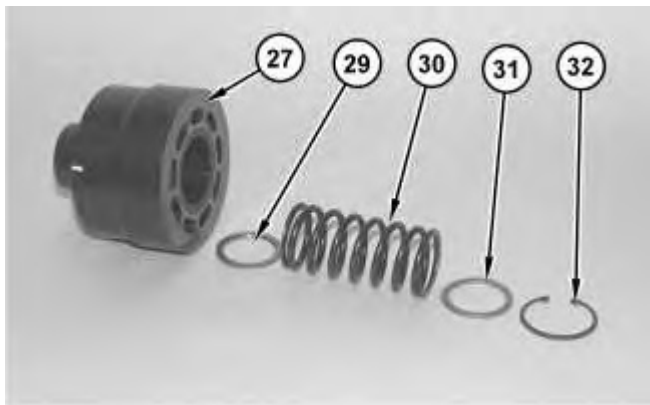


Illustration 3

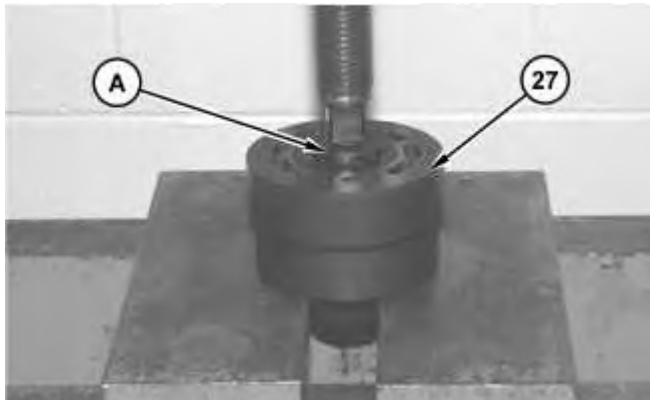


Illustration 4

 **WARNING**

**Improper assembly of parts that are spring loaded can cause bodily injury.**

**To prevent possible injury, follow the established assembly procedure and wear protective equipment.**

---

6. Install washer (31), spring (30), and washer (29).

7. Use Tooling (A), Tooling (B), and a suitable press to install retaining ring (32) onto barrel (27).

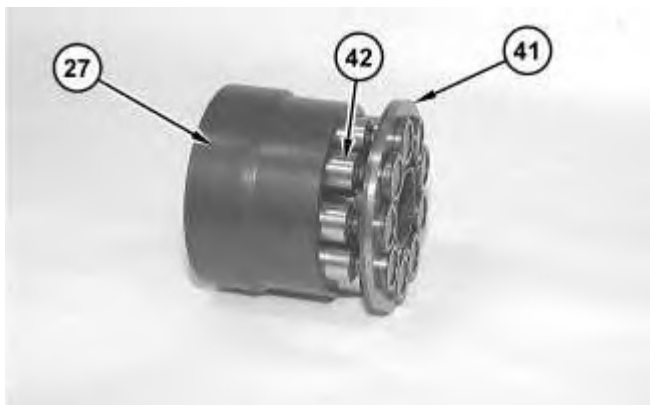


Illustration 5

g01333324

8. Install pistons (42) into retainer (41) and barrel (27).



Illustration 6

g01333336

9. Install barrel (27).

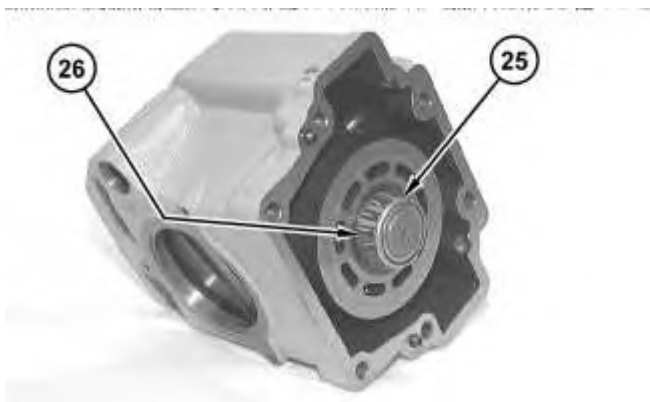


Illustration 7

g01333337

10. Install shim (26) and bearing cone (25).

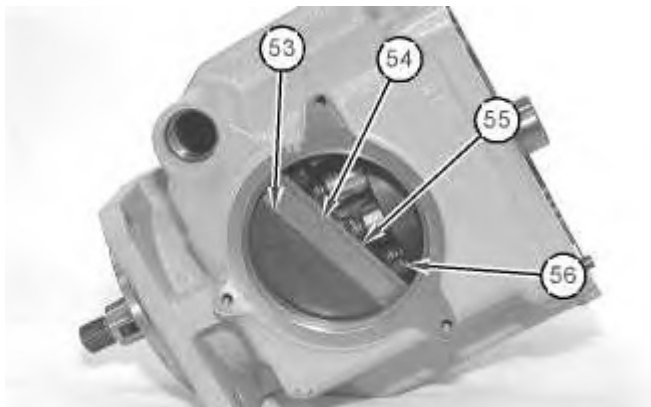


Illustration 8

g01076392

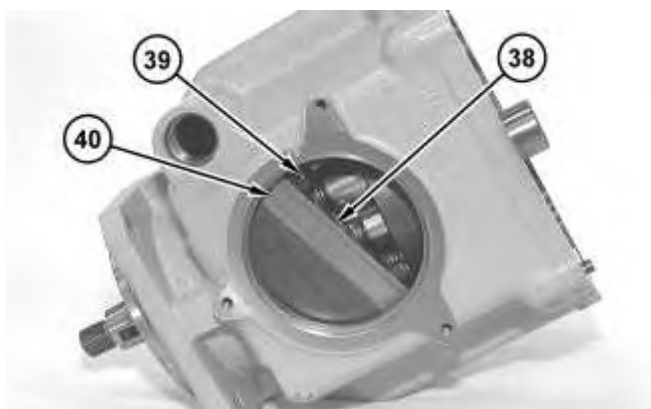


Illustration 9

g01333338

11. Position plates (40) and plates (38).

12. Install bolts (39).

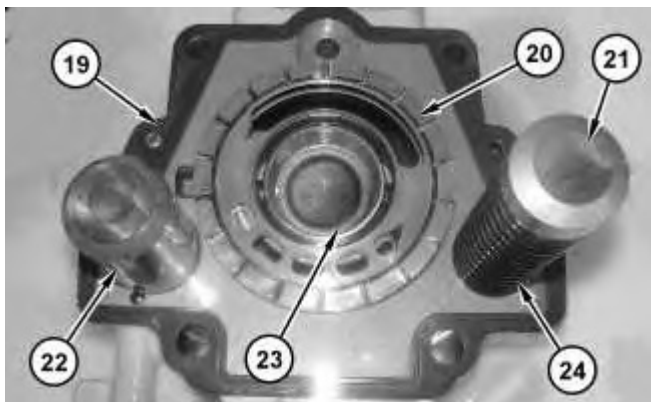


Illustration 10

g01329908

13. Install piston (22), piston (21), spring (24), gasket (19), port plate (20), and bearing cup (23).

---

**Thank you very much  
for your reading.**

**Please click here to buy  
After you pay.**

**Then, you can  
download the complete  
manual instantly.  
No waiting.**