

38. Remove retaining ring (67). Remove bearing race (68). Remove O-ring seals (69). Remove thrust ring (70).

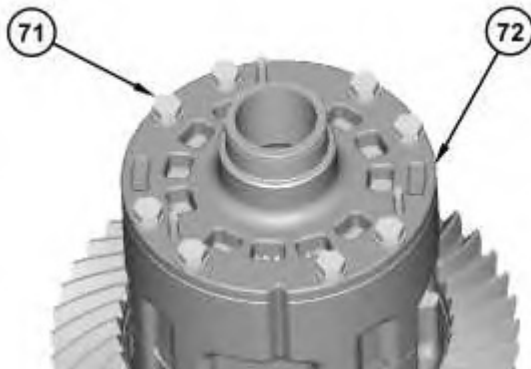


Illustration 37

g01353760

Typical Example



**Personal injury can result from being struck by parts propelled by a released spring force.**

**Make sure to wear all necessary protective equipment.**

**Follow the recommended procedure and use all recommended tooling to release the spring force.**

- 
39. Remove bolts (71). Remove case (72).

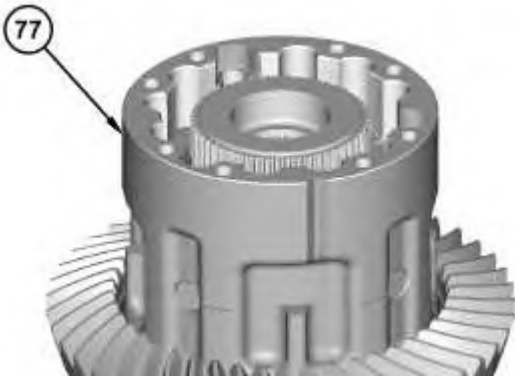


Illustration 38

g01353766

40. Remove thrust washer (73). Remove plates (74) and discs (75). Remove springs (76).

**Note:** Note the quantity and the order of plates (74) and discs (75).

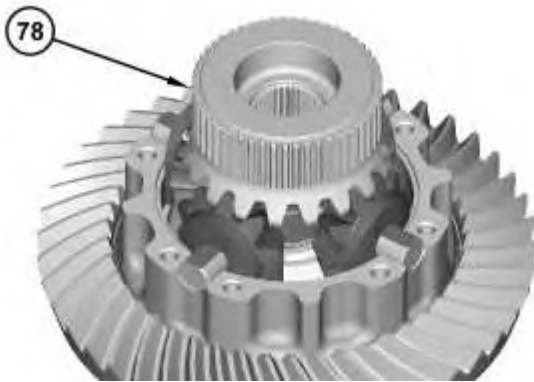


---

Illustration 39

g01353940

41. Use two people in order to remove housing (77). The weight of housing (77) is approximately 23 kg (50 lb).



---

Illustration 40

g01353944

42. Remove differential gear (78).

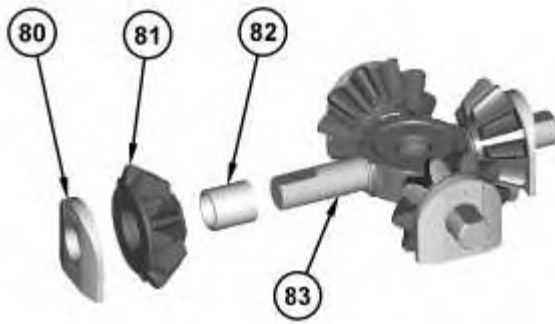


---

Illustration 41

g01353945

43. Remove spider assembly (79).
-

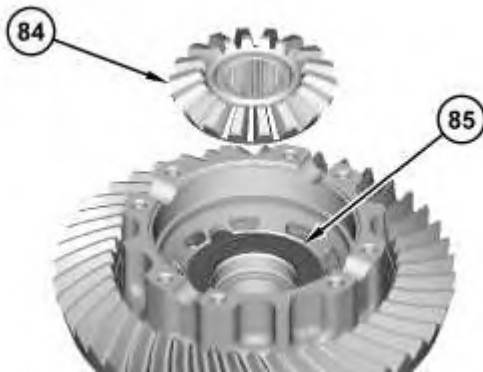


---

Illustration 42

g01353954

44. Remove thrust washer (80), pinion gear (81), and bearing sleeve (82) from spider (83). Repeat this step for the remaining pinion gears (81).
- 

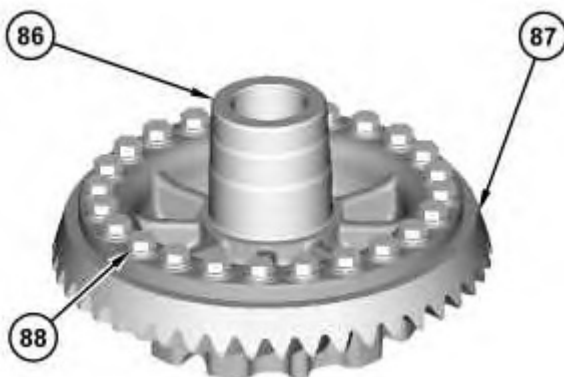


---

Illustration 43

g01353965

45. Remove differential gear (84). Remove thrust washer (85).
- 



---

Illustration 44

g01353970

46. Use two people in order to turn over housing (86) and bevel gear (87). Remove bolts (88). The weight of housing (86) and bevel gear (87) is approximately 40 kg (88 lb). Remove bolts (88). Use two people in order to remove housing (86) from bevel gear (87). The

**Thank you very much  
for your reading.**

**Please click here to buy  
After you pay.**

**Then, you can  
download the complete  
manual instantly.  
No waiting.**