

Model: 420F2 BACKHOE LOADER LYB

Configuration: 420F2 Center Pivot Backhoe Loader LYB00001-UP (MACHINE) POWERED BY C4.4 Engine

## Disassembly and Assembly

### 415F2, 416F2, 420F2 IT, 420F2 ST, 430F2 IT and 430F2 ST Backhoe Loaders Power Train

Media Number -UENR5021-03

Publication Date -01/05/2015

Date Updated -05/06/2018

i06145783

## Transmission (Direct Drive) - Disassemble

SMCS - 3030-015-DD; 3066-015

### Disassembly Procedure

Table 1

Required Tools			
Tool	Part Number	Part Description	Qty
A	395-1590	Lifting Eye Assembly	2
B	422-5471	Lifting Eye Assembly	1
C	4C-3652	Spring Compressor	1
D	1P-1859	Retaining Ring Pliers	1
E	8H-0663	Bearing Puller Gp	1
F	8B-7551	Bearing Puller Gp	1
G	1U-6400	Three Jaw Puller	1
H	137-8102	Spring Compressor	1

#### Start By:

- a. Remove the transmission.
-

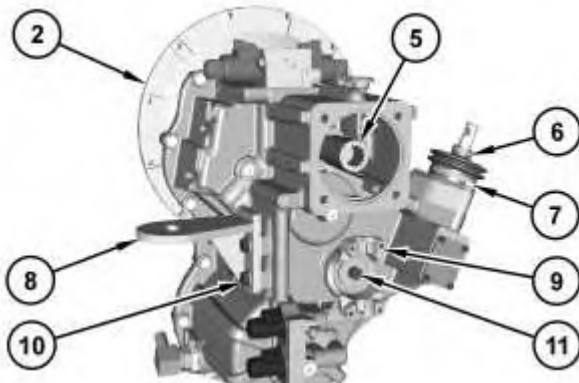


---

Illustration 1

g03827943

1. Use two people to remove torque converter (1). The weight of torque converter (1) is approximately 23 kg (51 lb). Remove torque converter (1) from transmission (2).
2. Remove bolt (4), the washer, and yoke (3) from transmission (2).



---

Illustration 2

g03828843

3. Remove shaft (5) from transmission (2).
  4. Remove bolts (7) and gear shift (6) from transmission (2).
  5. Remove bolts (10) and support assemblies (8) from transmission (2).
  6. Remove bolt (11), the washer, and yoke (9) from transmission (2).
-

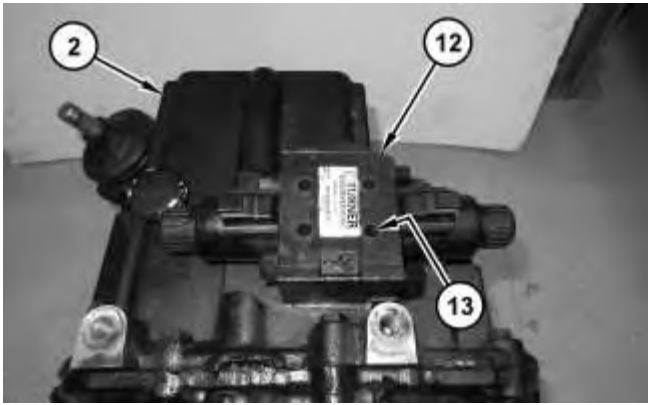


Illustration 3

g03828844

7. Remove bolts (13) and solenoid valve (12) from transmission (2).

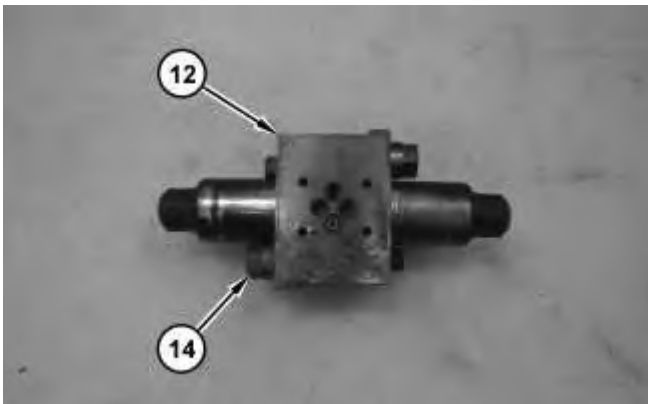


Illustration 4

g03828845

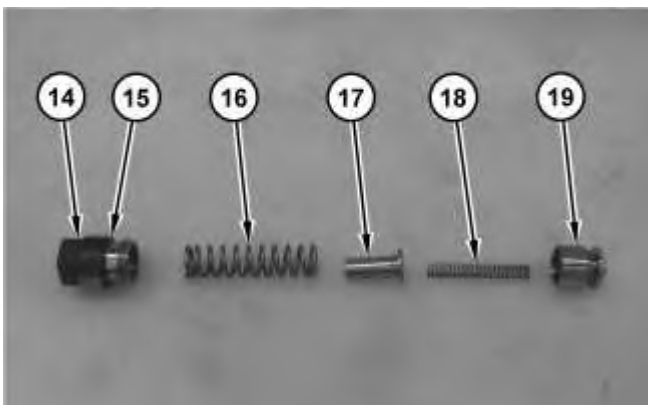


Illustration 5

g03828846



**Personal injury can result from being struck by parts propelled by a released spring force.**

**Thank you very much  
for your reading.**

**Please click here to buy  
After you pay.**

**Then, you can  
download the complete  
manual instantly.  
No waiting.**