

Product: SKID STEER LOADER  
Model: 242D SKID STEER LOADER DML  
Configuration: 242D Skid Steer Loader DML00001-UP (MACHINE)

## Disassembly and Assembly C2.6 and C3.3B Engines for Caterpillar Built Machines

Media Number -UENR0137-11

Publication Date -01/08/2015

Date Updated -12/07/2018

i05242439

# Fuel Injection Pump and Governor - Disassemble

SMCS - 1286-015

## Disassembly Procedure

Table 1

| Required Tools |             |                            |     |
|----------------|-------------|----------------------------|-----|
| Tool           | Part Number | Part Description           | Qty |
| A              | 390-1150    | Injection Pump Gear Puller | 1   |
|                | 154-6360    | Bolt                       | 1   |
| B              | 8H-0663     | Bearing Puller             | 1   |

### Start By:

- a. Remove fuel injection pump and governor.

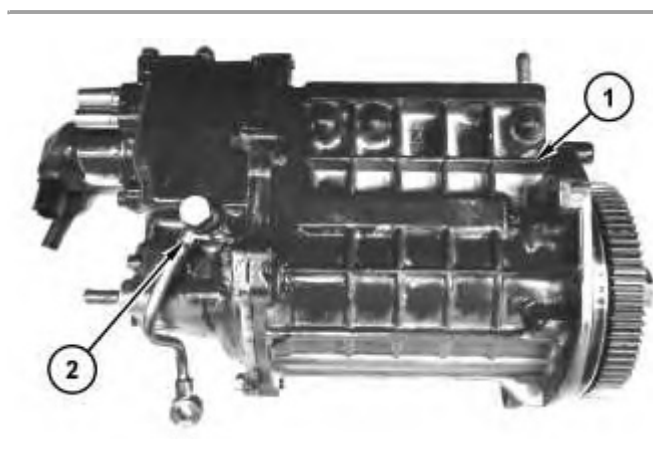
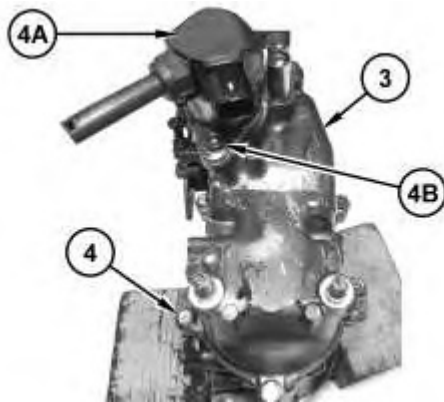


Illustration 1

g02805638

1. Inspect fuel injection pump and governor (1).
2. Remove tube (2).

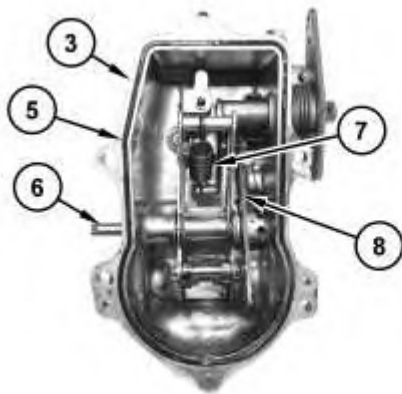


---

Illustration 2

g02805639

3. Use suitable blocking and position the fuel injection pump and governor. Remove bolts (4) and remove governor housing assembly (3).
4. Remove two bolts (4B) and remove stop solenoid (4A). Replace o-ring if necessary.

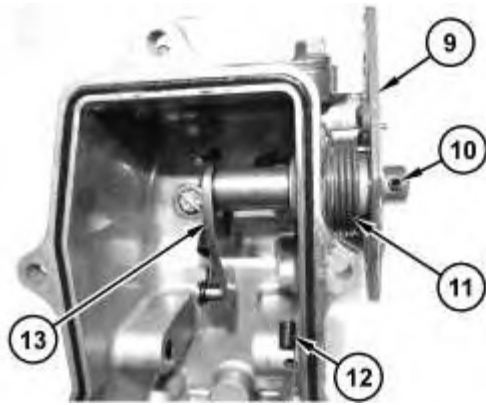


---

Illustration 3

g02805640

5. Remove and inspect O-ring seal (5) from governor housing assembly (3). If necessary, replace O-ring seal (5) with new.
  6. Remove shaft (6) and spring (7) from governor housing assembly (3). Remove governor lever (8).
-

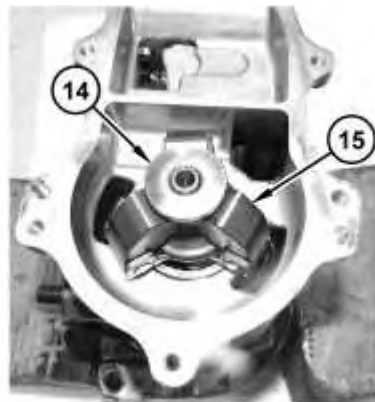


---

Illustration 4

g02805641

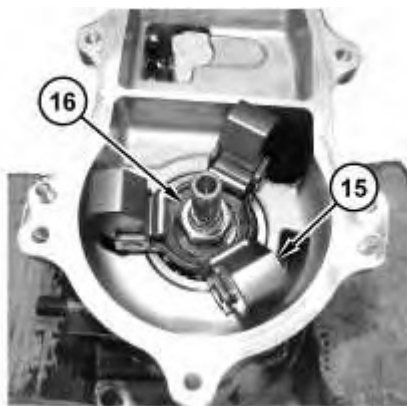
7. Remove pin (10) from governor lever assembly (12).
  8. Remove speed control lever (9) and spring (11) from governor lever assembly (12).
  9. Remove spring (13) and remove governor lever assembly (12) with the O-ring seals.
- 



---

Illustration 5

g02805656



---

Illustration 6

g02805658

10. Remove governor sleeve (13) and nut (16). Remove governor weights (15).
-

**Thank you very much  
for your reading.**

**Please click here to buy  
After you pay.**

**Then, you can  
download the complete  
manual instantly.  
No waiting.**