

**GENERAL INFORMATION  
CONTENTS**

TRACTOR IDENTIFICATION ..... A-2  
    Model/Serial Numbers ..... A-2  
SPECIFICATIONS ..... A-5  
GENERAL PRECAUTIONS  
    FOR DISASSEMBLY AND RE-INSTALLATION ..... A-12  
    Before Operation ..... A-12  
    Precautions To Be Followed When Installing Standardized Parts ..... A-12  
STANDARD TORQUE CHART ..... A-15  
SEALANT & ADHESIVES ..... A-16  
CONVERSION TABLES ..... A-17

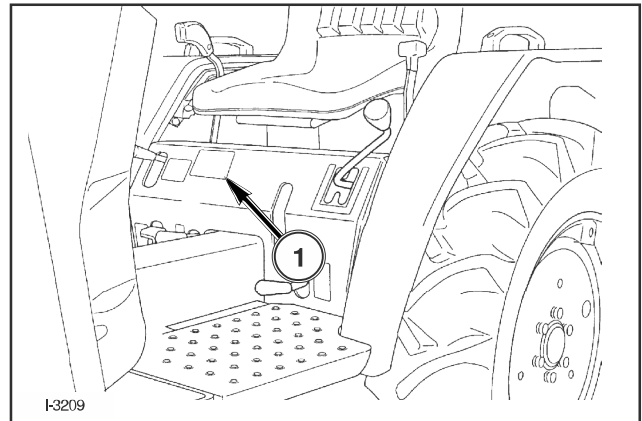
## **GENERAL INFORMATION**

### **TRACTOR IDENTIFICATION**

#### **Model/Serial Numbers**

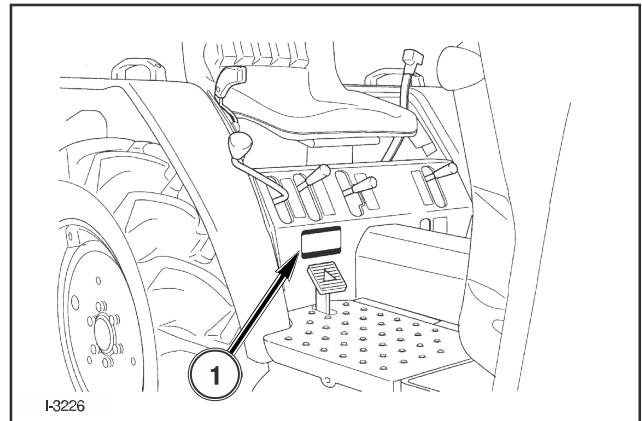
Each Tractor is identified by means of Tractor model and serial numbers. As a further identification, engine and chassis are provided with identification numbers.

**FIG. 1:** Standard transmission Tractor identification plate, 1, located below operator's seat on right-hand side of vertical floor panel.



**FIG. 1**

**FIG. 2:** The hydrostatic transmission Tractor identification plate, 1, located below drivers seat, close to floor.



**FIG. 2**

FIGS. 3, 4 & 5: Identification plate, for each model, contains model numbers, machine series numbers and weight in addition to Tractor serial numbers.

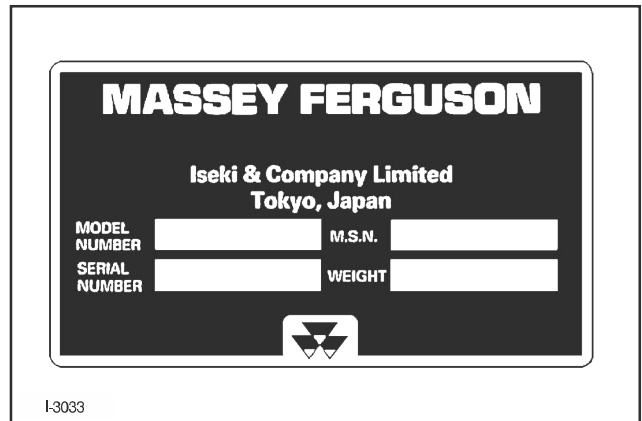


FIG. 3

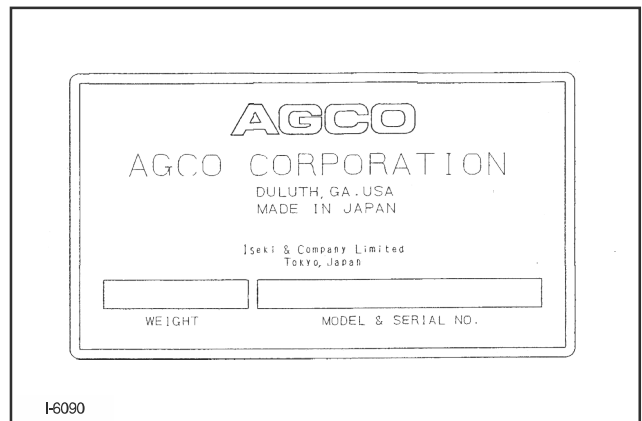


FIG. 4

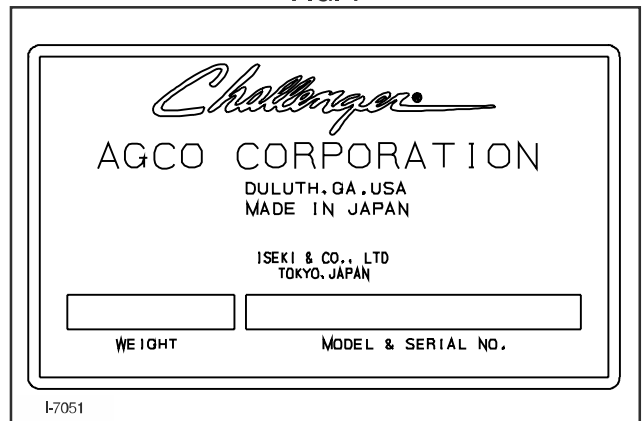


FIG. 5

**Thank you very much  
for your reading.**

**Please click here to buy  
After you pay.**

**Then, you can  
download the complete  
manual instantly.  
No waiting.**