

Product: TRACK-TYPE TRACTOR

Model: D8T TRACK-TYPE TRACTOR MLN

Configuration: D8T TRACK-TYPE TRACTOR MLN00001-UP (MACHINE) POWERED BY C15 Engine

Disassembly and Assembly C15 and C18 Engines for Caterpillar Built Machines

Media Number -KENR8151-04

Publication Date -01/07/2014

Date Updated -01/07/2014

i02187181

Power Take-Off Drive Group - Assemble

SMCS - 1165-016

Assembly Procedure

Table 1

Required Tools			
Tool	Part Number	Part Description	Qty
A	-	Guide Stud (5/8 - 18 x 8 inch)	2
B	1P-0520	Driver Group	2
C	9S-3263	Thread Lock Compound	-

NOTICE

Keep all parts clean from contaminants.

Contaminants may cause rapid wear and shortened component life.

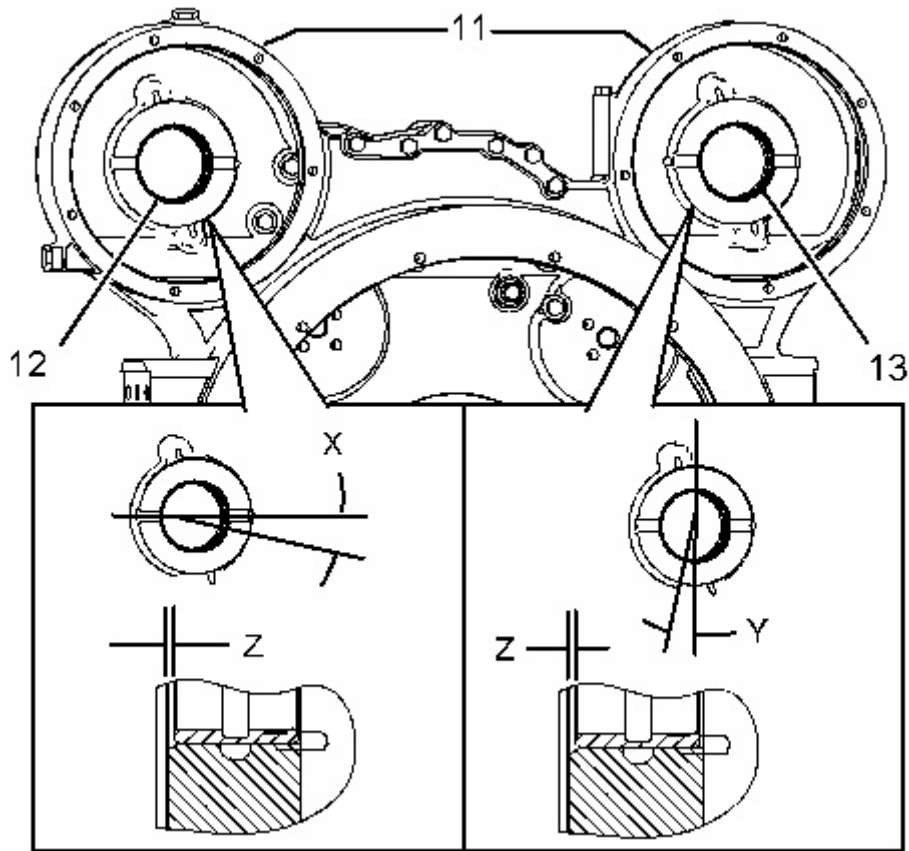


Illustration 1

g01106888

1. Install sleeve bearing (13) in the flywheel housing with Tooling (B). The split in the sleeve bearing should be located at Angle (Y), which is 15 ± 1 degrees from the horizontal centerline. The bearing should be installed to Depth (Z), which is 2.0 ± 0.5 mm (0.08 ± 0.02 inch).
 2. Install sleeve bearing (12) in the flywheel housing with Tooling (B). The split in the sleeve bearing should be located at Angle (X), which is 15 ± 1 degrees from the vertical centerline. The bearing should be installed to Depth (Z), which is 2.0 ± 0.5 mm (0.08 ± 0.02 inch).
 3. Install the O-ring seal on cover (11). Install cover (11) and the bolts on the back side of the flywheel housing.
-

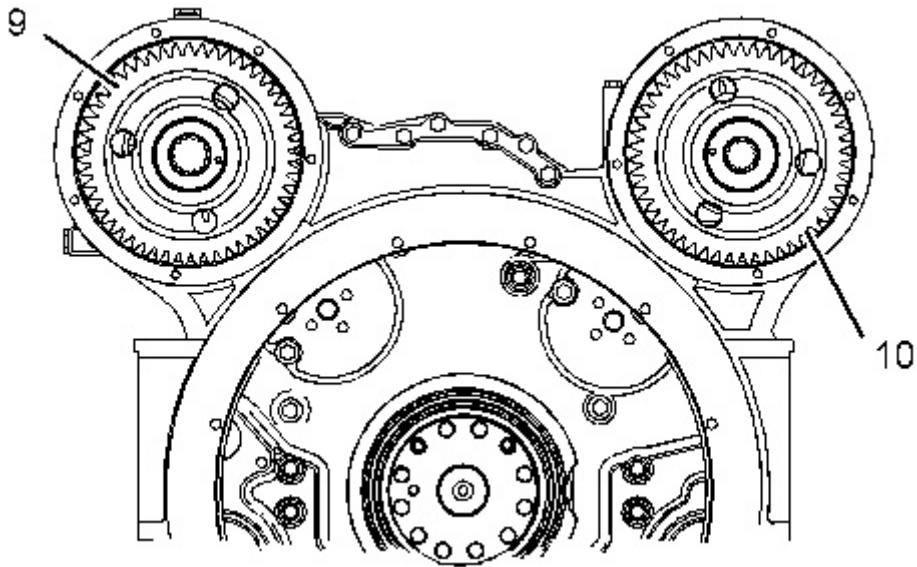


Illustration 2

g01106649

4. Position gear assembly (9) and gear assembly (10) in the flywheel housing.
-

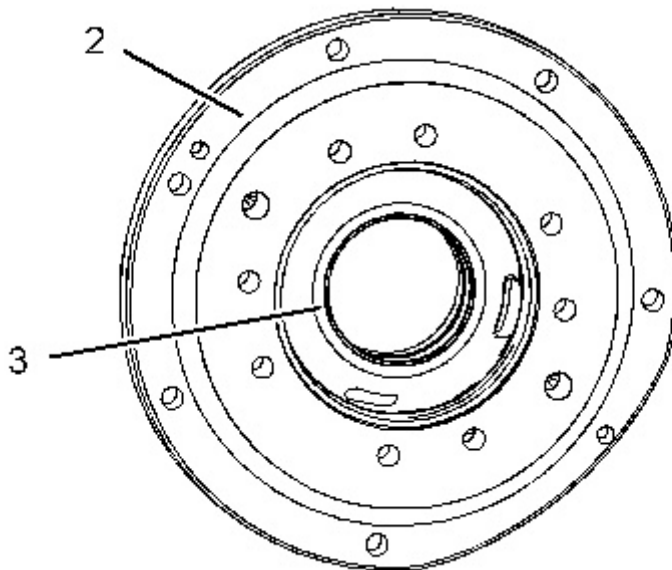


Illustration 3

g01106948

5. Use Tooling (B) and install sleeve bearing (3) in adapter (2). Install the O-ring seal on adapter (2).
-

**Thank you very much
for your reading.**

**Please click here to buy
After you pay.**

**Then, you can
download the complete
manual instantly.
No waiting.**