

Product: TRACK-TYPE TRACTOR

Model: D8T TRACK-TYPE TRACTOR FCT

Configuration: D8T TRACK-TYPE TRACTOR FCT00001-UP (MACHINE) POWERED BY C15 Engine

## Disassembly and Assembly C15 and C18 Engines for Caterpillar Built Machines

Media Number -KENR8151-04

Publication Date -01/07/2014

Date Updated -01/07/2014

i02519560

## Gear Group (Front) - Remove

SMCS - 1206-011

## Removal Procedure

Table 1

Required Tools			
Tool	Part Number	Part Description	Qty
A	1P-0510	Driver Group	1

### Start By:

- Remove the front housing. Refer to Disassembly and Assembly, "Housing (Front) - Remove".
- Remove the air compressor, if necessary. Refer to Disassembly and Assembly, "Air Compressor - Remove and Install".
- Remove the water pump, if necessary. Refer to Disassembly and Assembly, "Water Pump - Remove".

---

### NOTICE

**Keep all parts clean from contaminants.**

**Contaminants may cause rapid wear and shortened component life.**

---

---

## NOTICE

**Do not turn the crankshaft or the camshaft while the camshaft gear is removed. If the front gear group is not correctly timed during installation, interference can occur between the pistons and the valves, resulting in damage to the engine.**

---

**Note:** Be sure to mark the orientation of each of the gears for installation purposes.

---

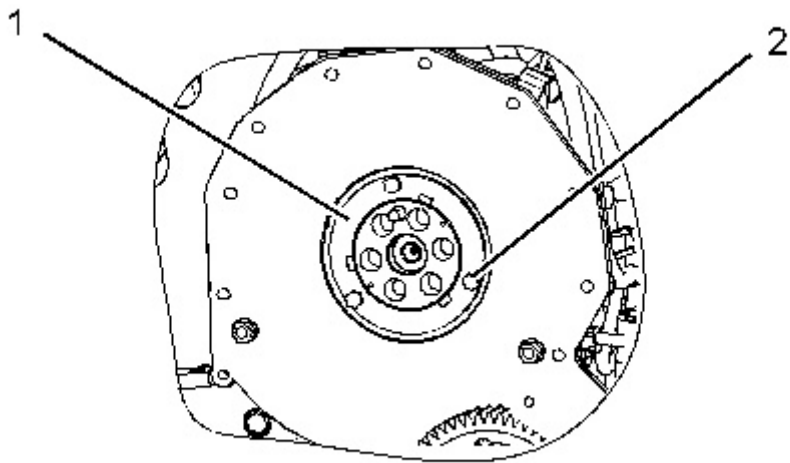
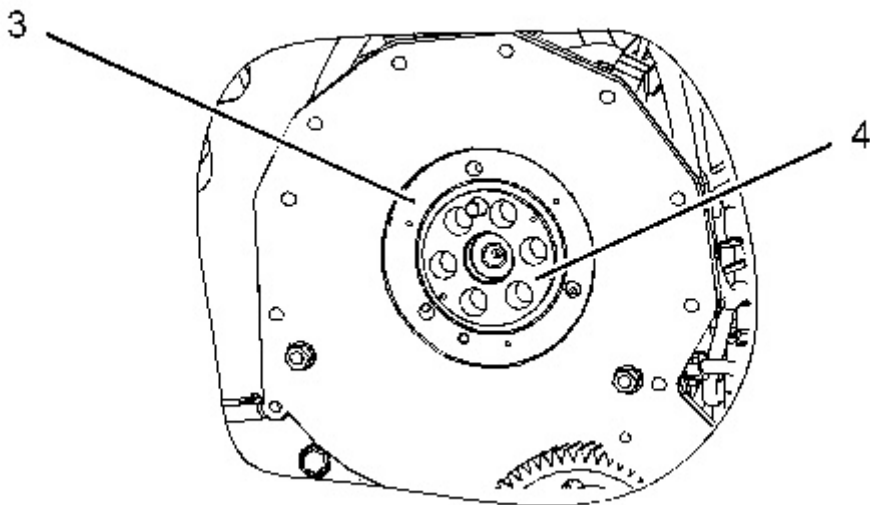


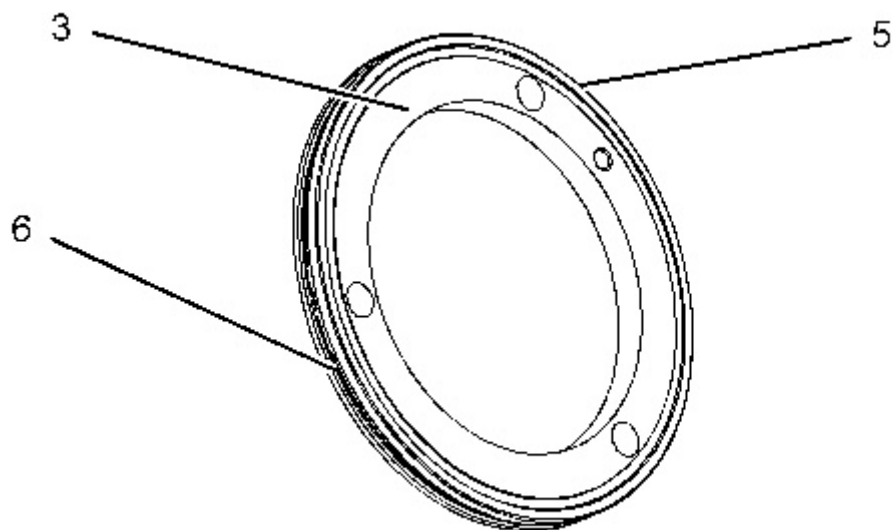
Illustration 1

g01008429

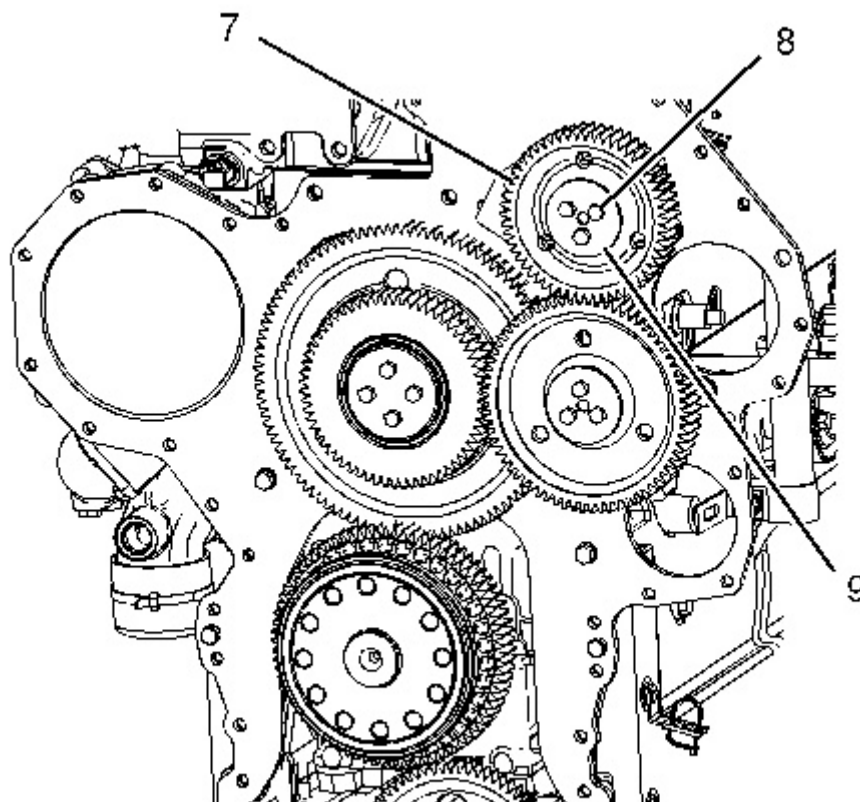
1. Remove bolts (2) and thrust plate (1).
- 



2. Remove sealing plate (3) and adapter (4).



3. Remove O-ring seal (5) and O-ring seal (6) from sealing plate (3).



**Thank you very much  
for your reading.**

**Please click here to buy  
After you pay.**

**Then, you can  
download the complete  
manual instantly.  
No waiting.**