

Product: TRACK-TYPE TRACTOR

Model: D8R TRACK-TYPE TRACTOR MEJ

Configuration: D8R TRACK-TYPE TRACTOR MEJ00001-UP (MACHINE) POWERED BY 3406C Engine

Disassembly and Assembly D8R Track-Type Tractor Power Train

Media Number -UENR1350-01

Publication Date -01/11/2013

Date Updated -10/03/2016

i05333392

Track Roller Frame - Remove

SMCS - 4151-011

Removal Procedure

Table 1

Required Tools			
Tool	Part Number	Description	Qty
A	FT-2213	Strap	1
B	9U-7536	Lift Stands	4
	277-7200	Pump, Hydraulic	1
C	8T-5255	Hydraulic Jacks	2
D	1P-0074	Slide Hammer Puller Gp	1
E	142-8548	Lifting Bracket As	1
	5P-8622	Clevises	3

Start By:

- a. Remove bulldozer blade.

Note: May need to position blocks under tracks to raise the rear of machine to install Tooling (B).

NOTICE

Care must be taken to ensure that fluids are contained during performance of inspection, maintenance, testing, adjusting, and repair of the product. Be prepared to collect the fluid with suitable containers

before opening any compartment or disassembling any component containing fluids.

Refer to Special Publication, NENG2500, "Dealer Service Tool Catalog" for tools and supplies suitable to collect and contain fluids on Cat[®] products.

Dispose of all fluids according to local regulations and mandates.



Personal injury can result from performing service on the track roller frame.

Refer to Special Instruction, SMHS8273 for inspection and removal procedures before performing any service.

1. Separate the track.

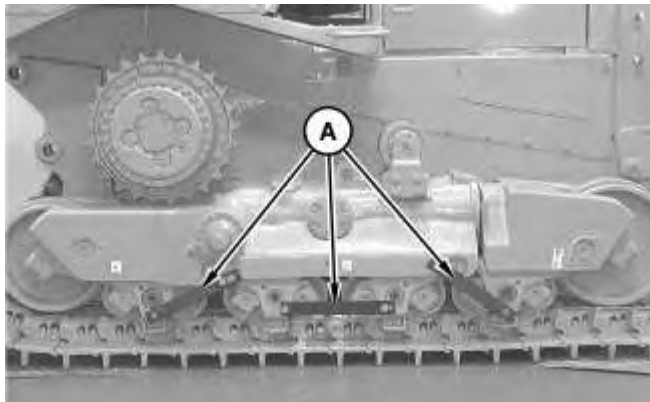


Illustration 1

g03378631

2. Install Tooling (A) to hold the suspension bogies in the correct position.
-

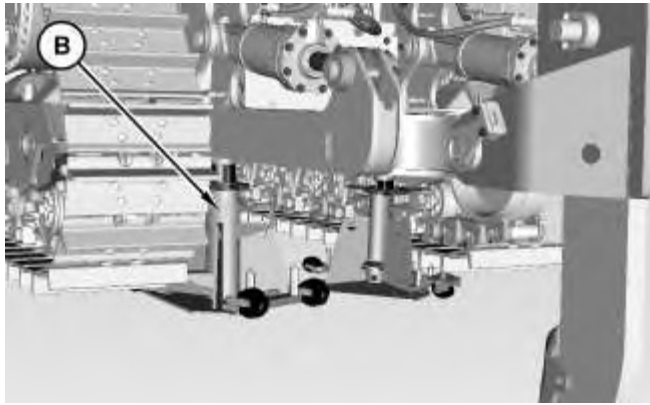


Illustration 2

g03381002

3. Use Tooling (B) to raise the rear of the machine until the track guides are above the track links.

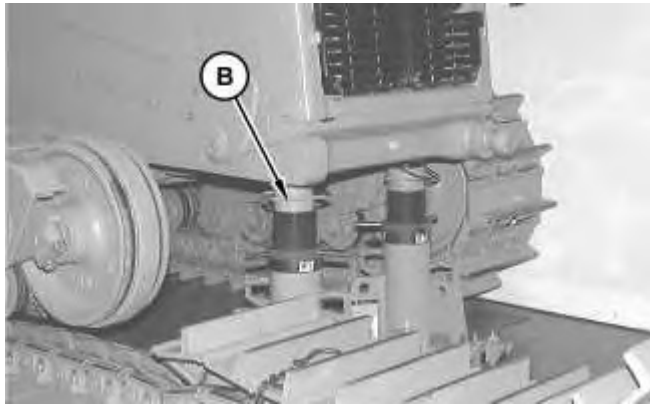


Illustration 3

g03378639

4. Use Tooling (B) to raise the front of the tractor with until the track guides are above the track links.

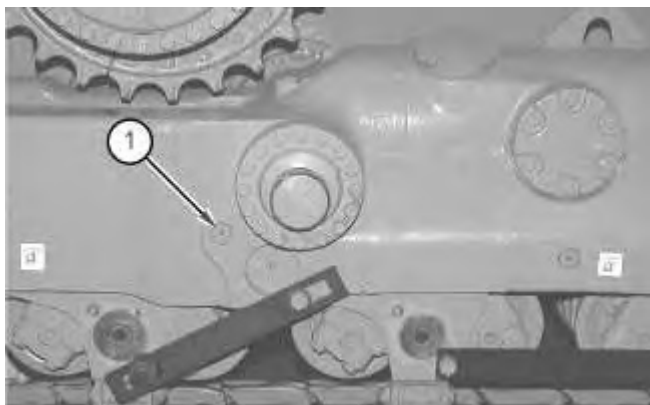


Illustration 4

g03380433

5. Remove plug (1). Drain the oil from the pivot shaft compartment.

**Thank you very much
for your reading.**

**Please click here to buy
After you pay.**

**Then, you can
download the complete
manual instantly.
No waiting.**