

Illustration 9

g01244673

8. Remove bolts (14) and solenoid valve assemblies (15). Remove tube assembly (16).



Illustration 10

g01245229

9. Remove valve groups (17) and (18).

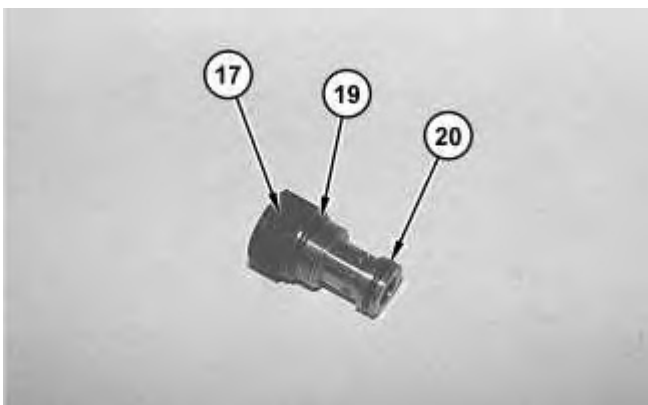


Illustration 11

g01245233

10. Remove O-ring seals (19) and (20) from valve group (17).

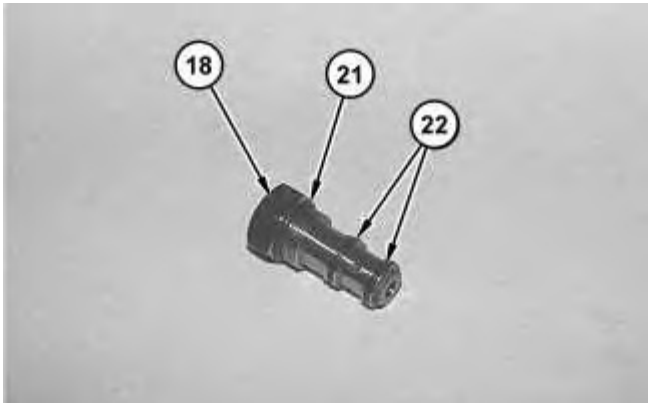


Illustration 12

g01245238

11. Remove O-ring seals (21) and (22) from valve group (18).

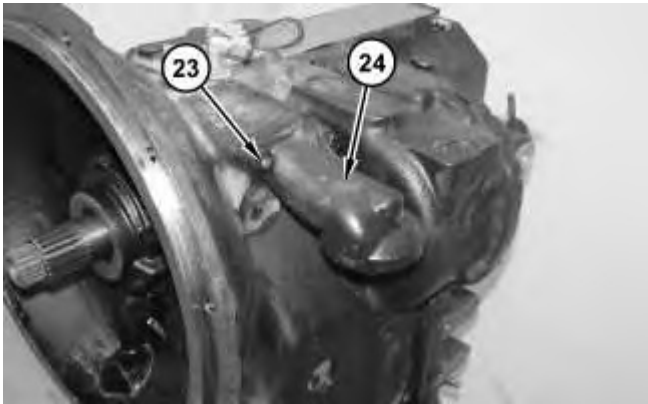


Illustration 13

g01244677

12. Remove bolts (23) and filter base assembly (24).

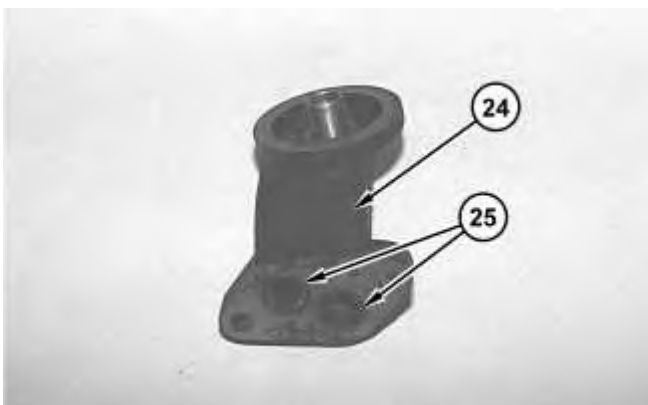


Illustration 14

g01245242

13. Remove O-rings (25) from filter base assembly (24).

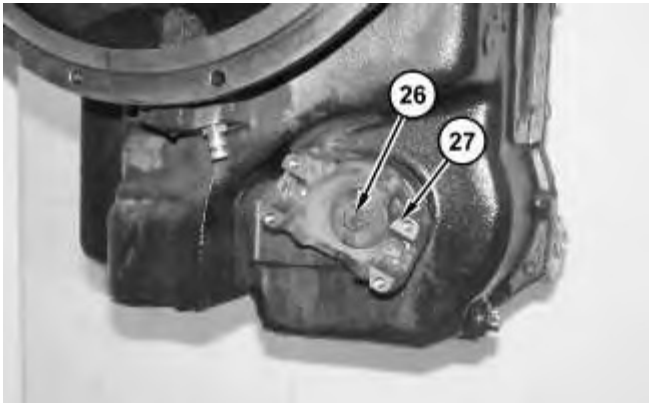


Illustration 15

g01244675

14. Remove bolt (26) and front output yoke assembly (27). Remove the gasket.

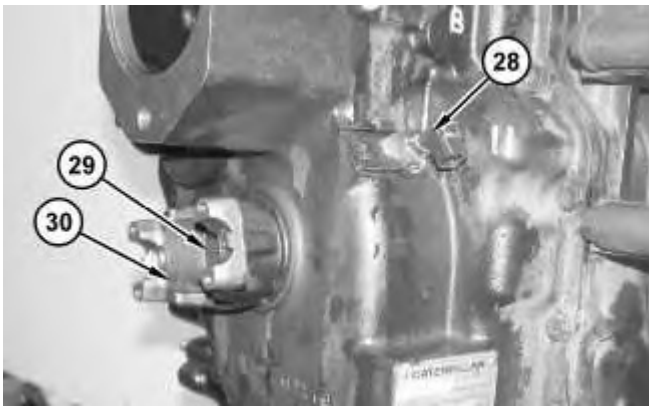


Illustration 16

g01244674

15. Remove bolt (29) and rear output yoke assembly (30). Remove speed sensor (28).

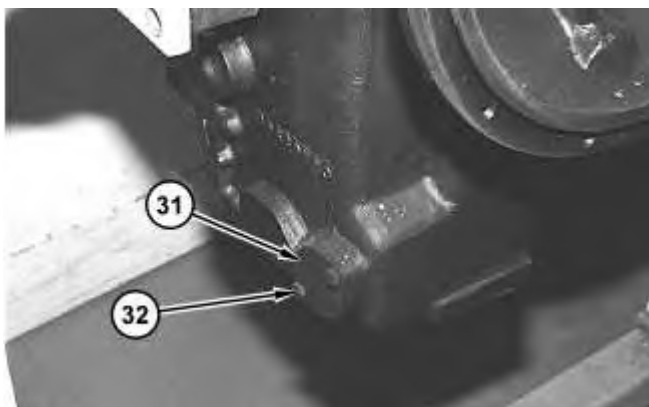


Illustration 17

g01245260

16. Remove bolts (32) and cover (31).

**Thank you very much
for your reading.**

**Please click here to buy
After you pay.**

**Then, you can
download the complete
manual instantly.
No waiting.**