

Product: MINI HYD EXCAVATOR

Model: 306E2 MINI HYD EXCAVATOR E2W

Configuration: 306E 2 Mini Hydraulic Excavator E2W00001-UP (MACHINE) POWERED BY C2.4 Engine

Disassembly and Assembly C1.7, C1.8 and C2.4 Tier 4 Interim and EU Stage 3A Engines for Caterpillar Built Machines

Media Number -UENR0128-11

Publication Date -01/08/2015

Date Updated -09/06/2016

i05243376

Governor and Camshaft - Remove

SMCS - 1264-011; 1265-011; 1716-011

Removal Procedure

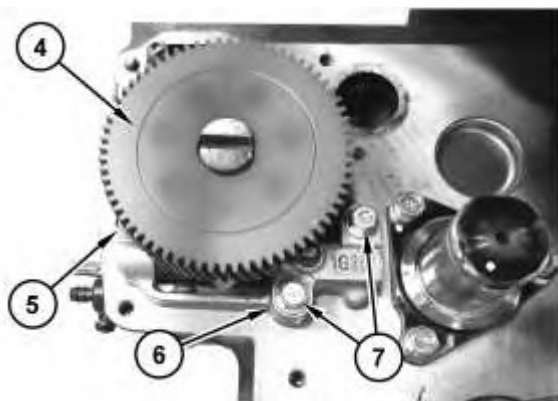
Start By:

- a. Remove the idler gear.
- b. Remove the fuel injection pump.

NOTICE

Keep all parts clean from contaminants.

Contaminants may cause rapid wear and shortened component life.



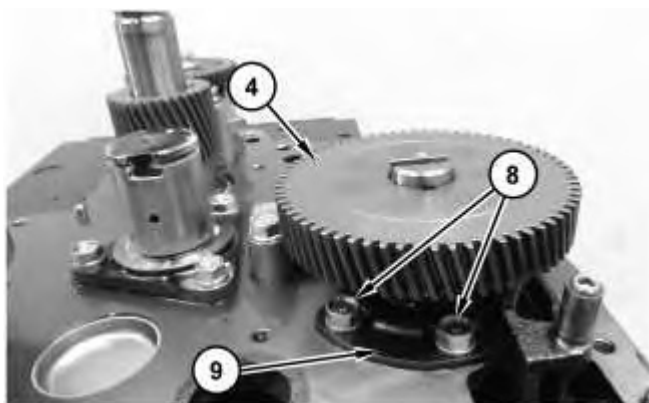


Illustration 2

1. Remove bolts (7) and loosen bolt (5) from bracket (6) from camshaft (4).
2. Remove bolts (8) and bracket (9) that hold the camshaft (4) in the cylinder block.

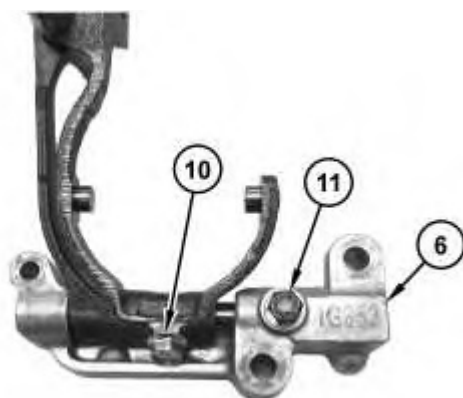


Illustration 3



Illustration 4

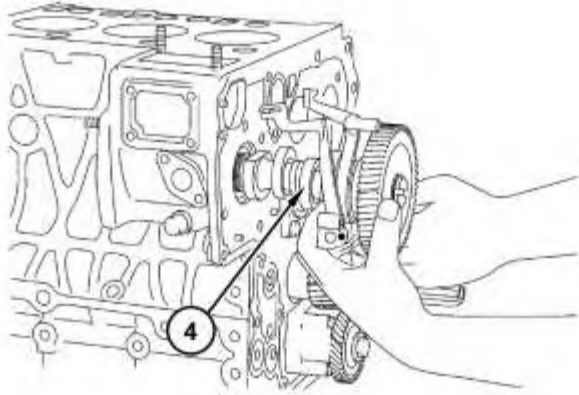


Illustration 5

g02840060

3. Lift camshaft (4) and bracket (6) as one unit.
4. Remove camshaft (4).
5. Remove bolt (10) and the washer. Remove bolt (11) from bracket (6).

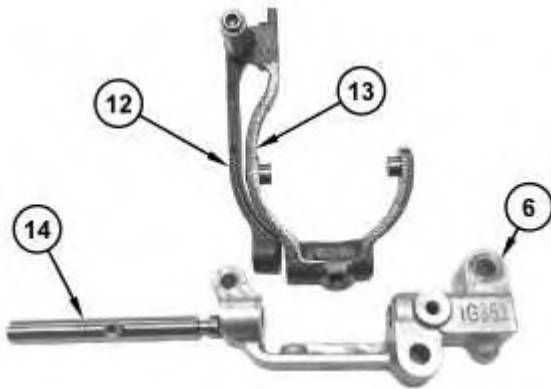


Illustration 6

g02729574

6. Remove shaft (14) from brackets (6), (12), and (13).
-

**Thank you very much
for your reading.**

**Please click here to buy
After you pay.**

**Then, you can
download the complete
manual instantly.
No waiting.**