

Product: INDUSTRIAL LOADER

Model: 415F2 IL INDUSTRIAL LOADER PF4

Configuration: 415F2 IL Backhoe Loader PF400001-UP (MACHINE) POWERED BY C3.4 Engine

Disassembly and Assembly 415F2 Industrial Loader Power Train

Media Number -M0067026-00

Publication Date -01/05/2015

Date Updated -12/05/2016

i06559073

Transmission (Direct Drive) - Disassemble

SMCS - 3030-015-DD; 3066-015

Disassembly Procedure

Table 1

Required Tools			
Tool	Part Number	Part Description	Qty
A	395-1590	Lifting Eye Assembly	2
B	422-5471	Lifting Eye Assembly	1
C	4C-3652	Spring Compressor	1
D	1P-1859	Retaining Ring Pliers	1
E	8H-0663	Bearing Puller Gp	1
F	8B-7551	Bearing Puller Gp	1
G	1U-6400	Three Jaw Puller	1
H	137-8102	Spring Compressor	1

Start By:

- a. Remove the transmission.
-



Illustration 1

g03827943

1. Use two people to remove torque converter (1). The weight of torque converter (1) is approximately 23 kg (51 lb). Remove torque converter (1) from transmission (2).
2. Remove bolt (4), the washer, and yoke (3) from transmission (2).

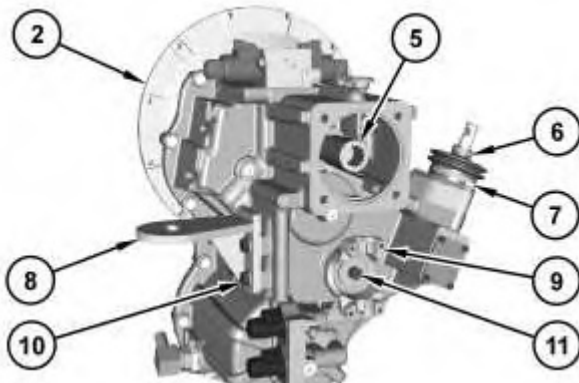


Illustration 2

g03828843

3. Remove shaft (5) from transmission (2).
 4. Remove bolts (7) and gear shift (6) from transmission (2).
 5. Remove bolts (10) and support assemblies (8) from transmission (2).
 6. Remove bolt (11), the washer, and yoke (9) from transmission (2).
-

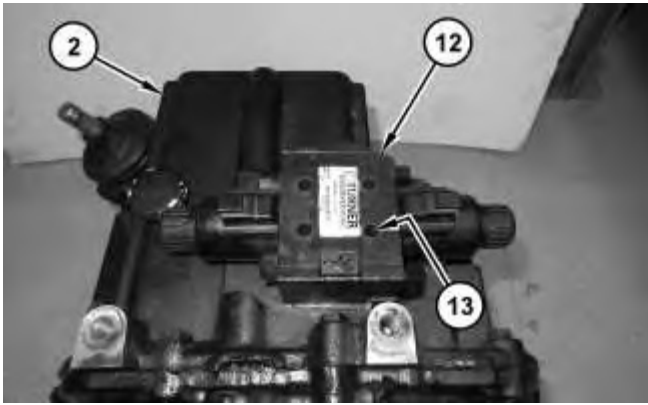


Illustration 3

g03828844

7. Remove bolts (13) and solenoid valve (12) from transmission (2).

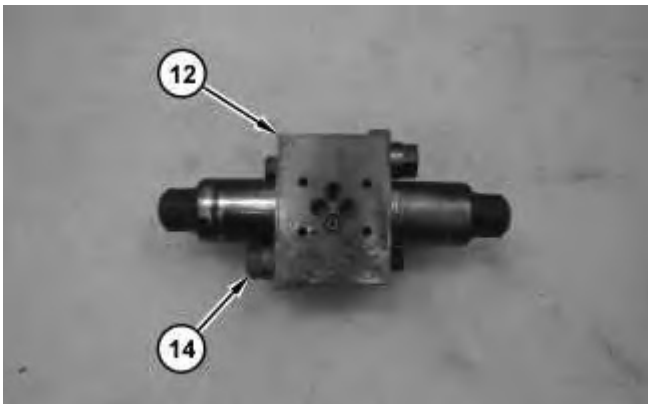


Illustration 4

g03828845

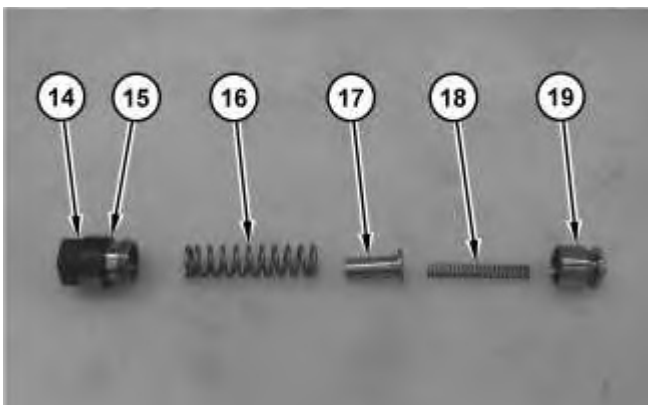


Illustration 5

g03828846



WARNING

Personal injury can result from being struck by parts propelled by a released spring force.

**Thank you very much
for your reading.**

**Please click here to buy
After you pay.**

**Then, you can
download the complete
manual instantly.
No waiting.**