



Illustration 1

g03827943

1. Use two people to remove torque converter (1). The weight of torque converter (1) is approximately 23 kg (51 lb). Remove torque converter (1) from transmission (2).
2. Remove bolt (4), the washer, and yoke (3) from transmission (2).

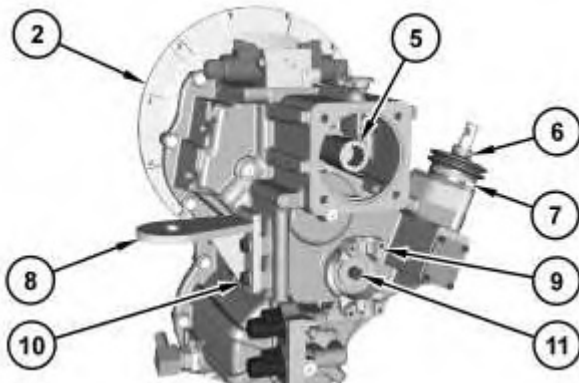


Illustration 2

g03828843

3. Remove shaft (5) from transmission (2).
 4. Remove bolts (7) and gear shift (6) from transmission (2).
 5. Remove bolts (10) and support assemblies (8) from transmission (2).
 6. Remove bolt (11), the washer, and yoke (9) from transmission (2).
-

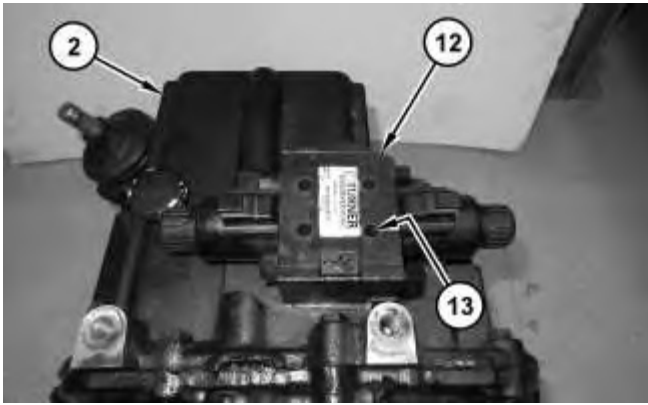


Illustration 3

g03828844

7. Remove bolts (13) and solenoid valve (12) from transmission (2).

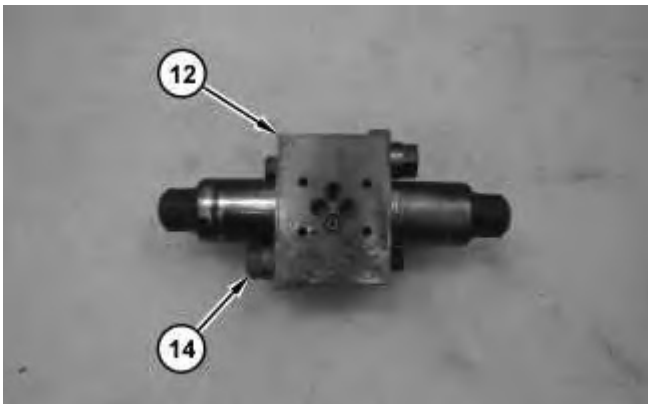


Illustration 4

g03828845

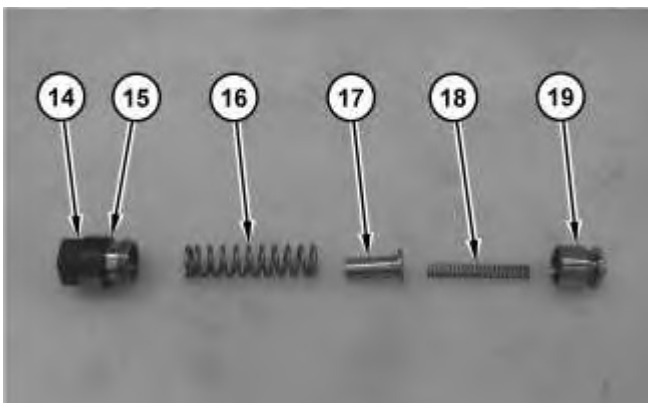


Illustration 5

g03828846



Personal injury can result from being struck by parts propelled by a released spring force.

Make sure to wear all necessary protective equipment.

Follow the recommended procedure and use all recommended tooling to release the spring force.

8. Remove head (14) from solenoid valve (12). Remove O-ring seal (15) from head (14).
9. Remove spring (16), carrier (17), spring (18), and piston (19) from solenoid valve (12).

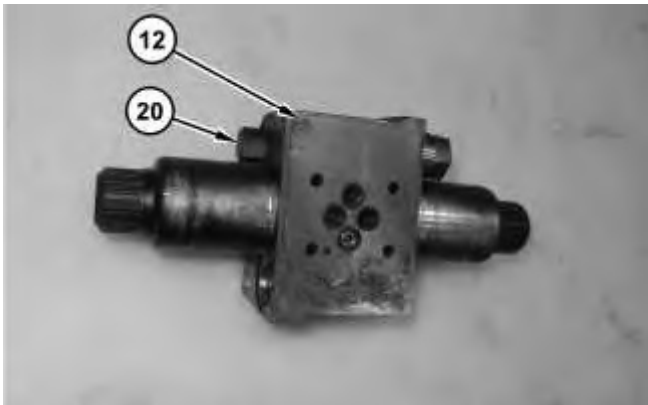


Illustration 6

g03828847

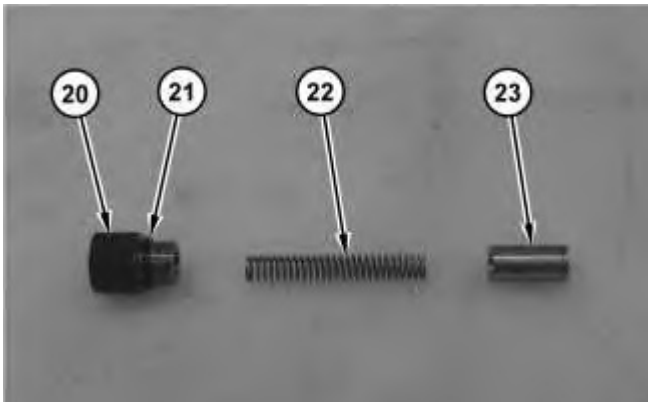


Illustration 7

g03828848

 **WARNING**

Personal injury can result from being struck by parts propelled by a released spring force.

Make sure to wear all necessary protective equipment.

Follow the recommended procedure and use all recommended tooling to release the spring force.

10. Remove plug (20) from solenoid valve (12). Remove O-ring seal (21) from plug (20).
11. Remove spring (22) and poppet (23) from solenoid valve (12).

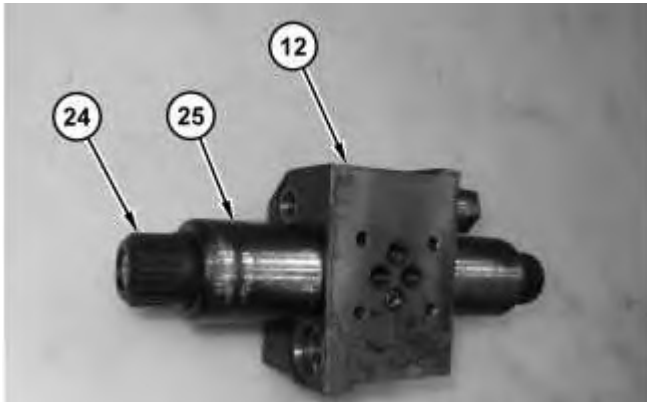


Illustration 8

g03828849

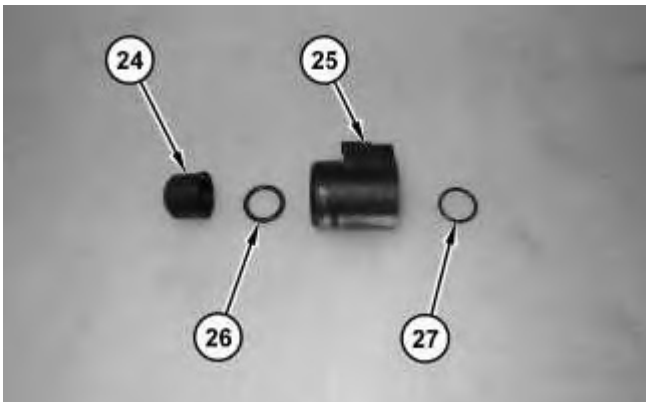


Illustration 9

g03828850

12. Remove self locking nut (24), O-ring seal (26) coil assembly (25), and O-ring seal (27) from solenoid valve (12).

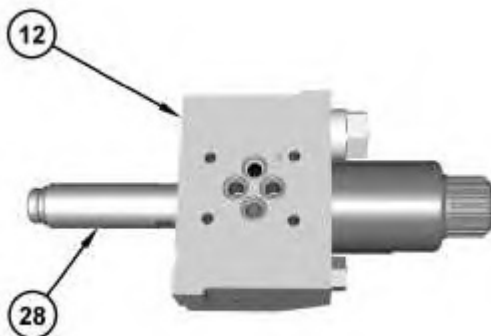


Illustration 10

g03828851

**Thank you very much
for your reading.**

**Please click here to buy
After you pay.**

**Then, you can
download the complete
manual instantly.
No waiting.**