

S/N - TMF1-UP

S/N - WDJ1-UP

S/N - XAN1-UP

S/N - XBB1-UP

S/N - XCC1-UP

S/N - YEA1-UP

S/N - ZBD1-UP

S/N - ZCS1-UP

Assembly Procedure

Table 1

Required Tools			
Tool	Part Number	Part Description	Qty
B	1P-2420	Transmission Repair Stand	1
C	138-7575	Link Bracket	3
D	1P-0510	Driver Group	1
	1U-8605	Seal Guide	1
E	1P-1859	Retaining Ring Pliers	1
H	1U-6396	O-Ring Assembly Compound	1

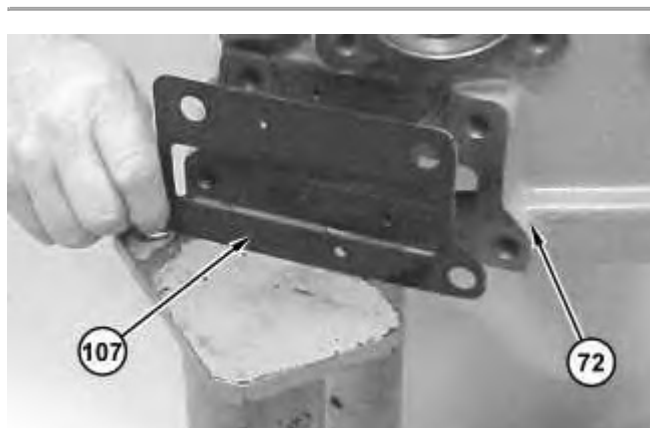


Illustration 1

g01200516

1. Install gasket (107) onto pump housing (72) .

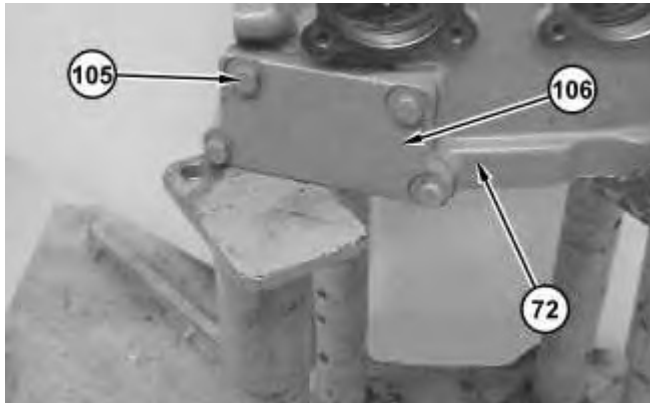


Illustration 2

g01200514

2. Install cover (106) and bolts (105) onto pump housing (72) .

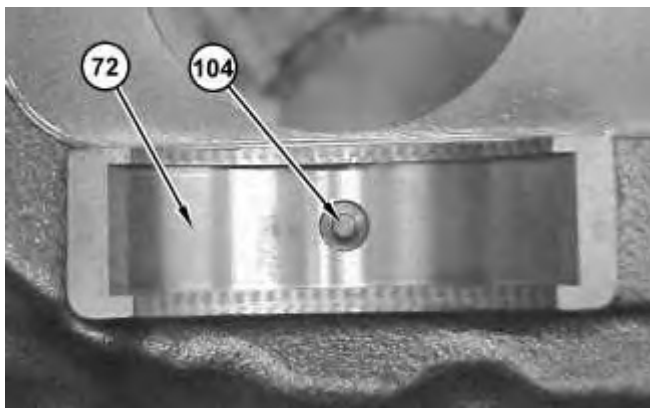
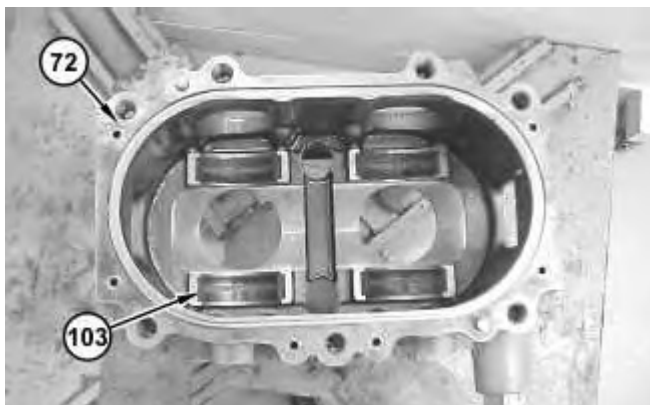


Illustration 3

g01200512

3. Install guide pins (104) onto pump housing (72) .



4. Install bearings (103) onto pump housing (72) .

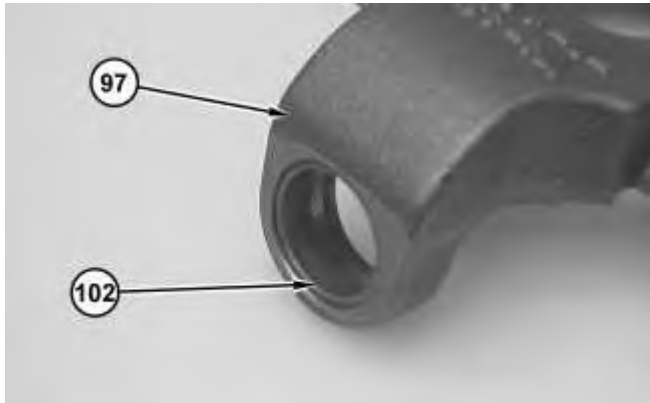


Illustration 5

5. Install bearing (102) into swashplate (97) .



Illustration 6

6. Install dowel pins (101) into swashplate (97) .
-

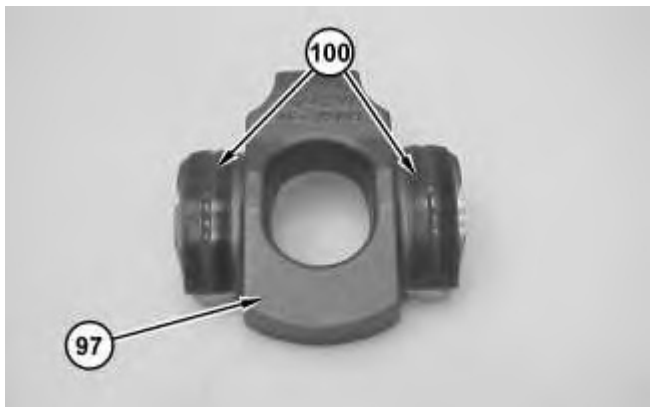


Illustration 7

g01200507

7. Install bearings (100) onto swashplate assembly (97) .

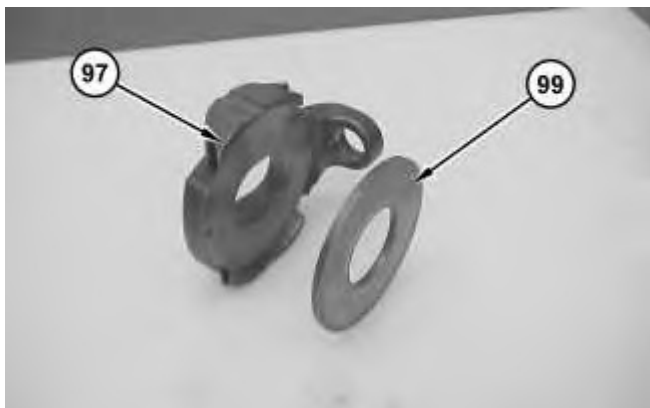


Illustration 8

g01200506

8. Install plate (99) onto swashplate assembly (97) .
9. Repeat Step 5 through Step 8 for swashplate assembly (98) .

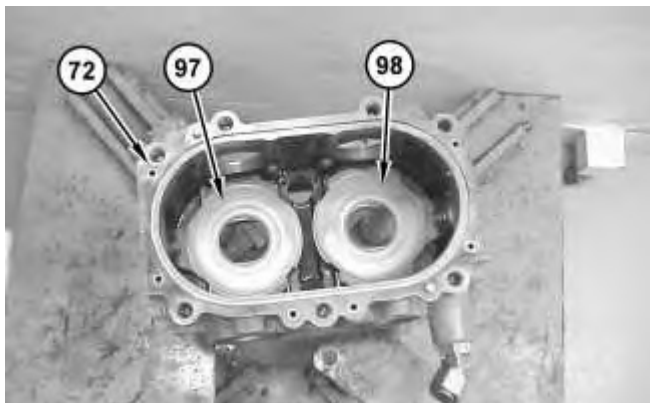


Illustration 9

g01200504

**Thank you very much
for your reading.**

**Please click here to buy
After you pay.**

**Then, you can
download the complete
manual instantly.
No waiting.**