

Product: EXCAVATOR

Model: 320 GC EXCAVATOR BR4

Configuration: 320 GC Excavator BR400001-UP (MACHINE) POWERED BY C4.4 Engine

Disassembly and Assembly 320GC, 320 and 323 Excavators Machine Systems

Media Number -M0080364-08

Publication Date -01/09/2018

Date Updated -12/09/2018

i06991648

Final Drive - Remove and Install

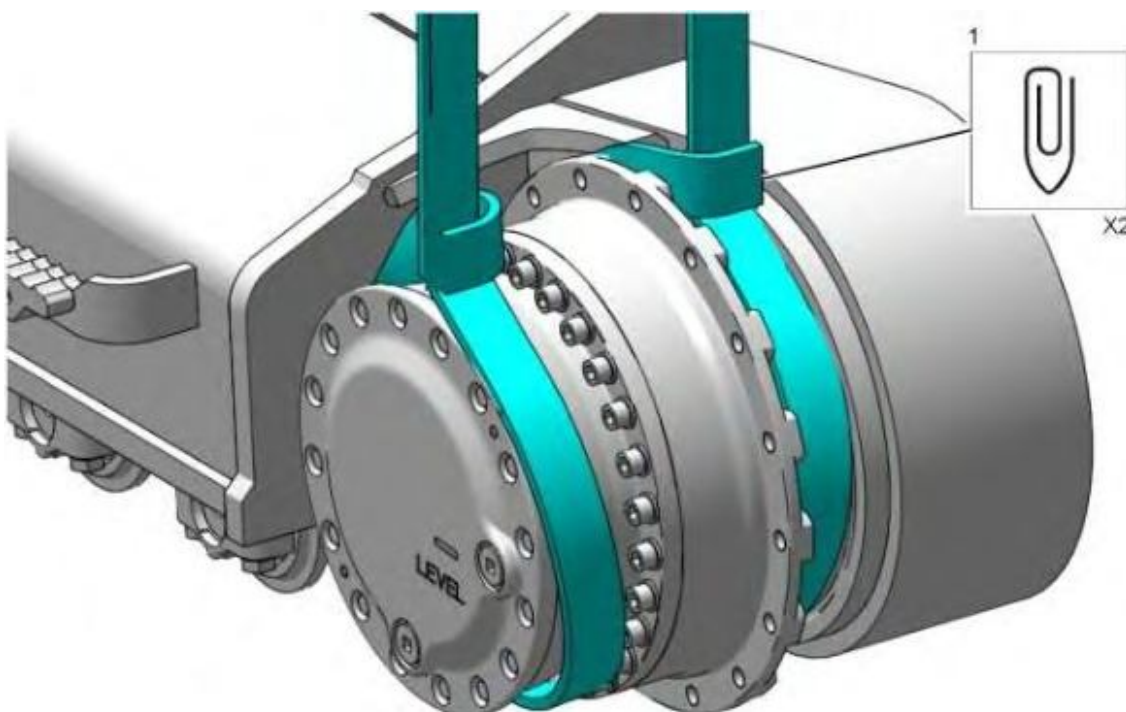
SMCS - 4050-010

Removal Procedure

Reference: Special Instruction, "Visual Service Procedures - Colors and Symbols" M0066576

Start By:

- a. Separate the sprocket.
- b. Remove the travel motor.



1

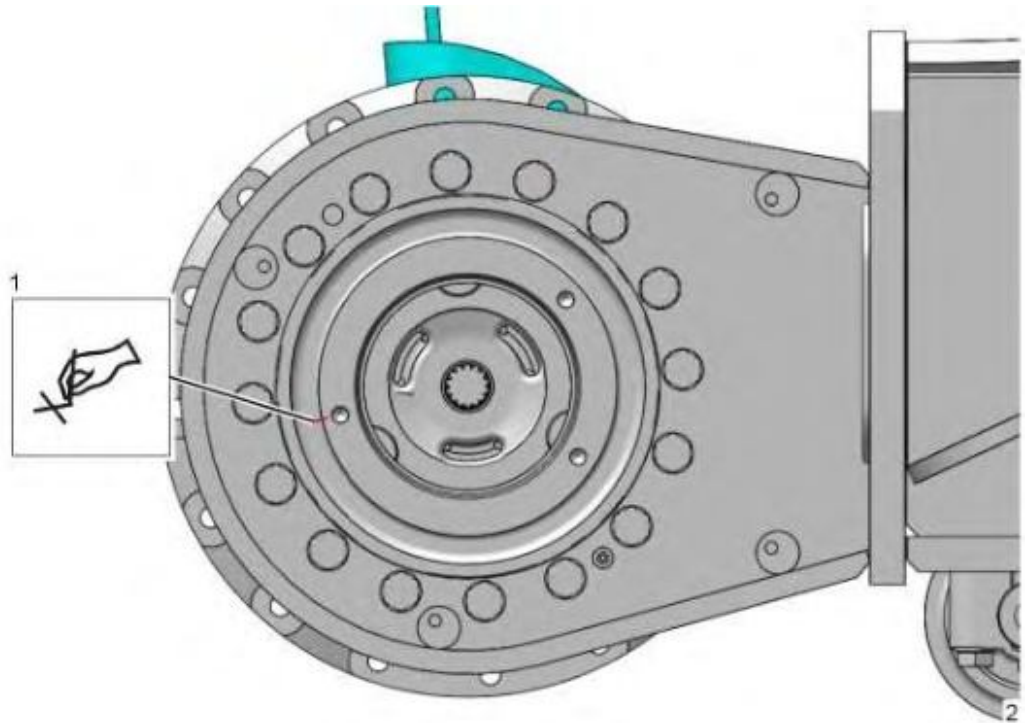


Illustration 2

g06191104

Note: Mark the orientation of the bolt holes for the travel motor for installation purposes.

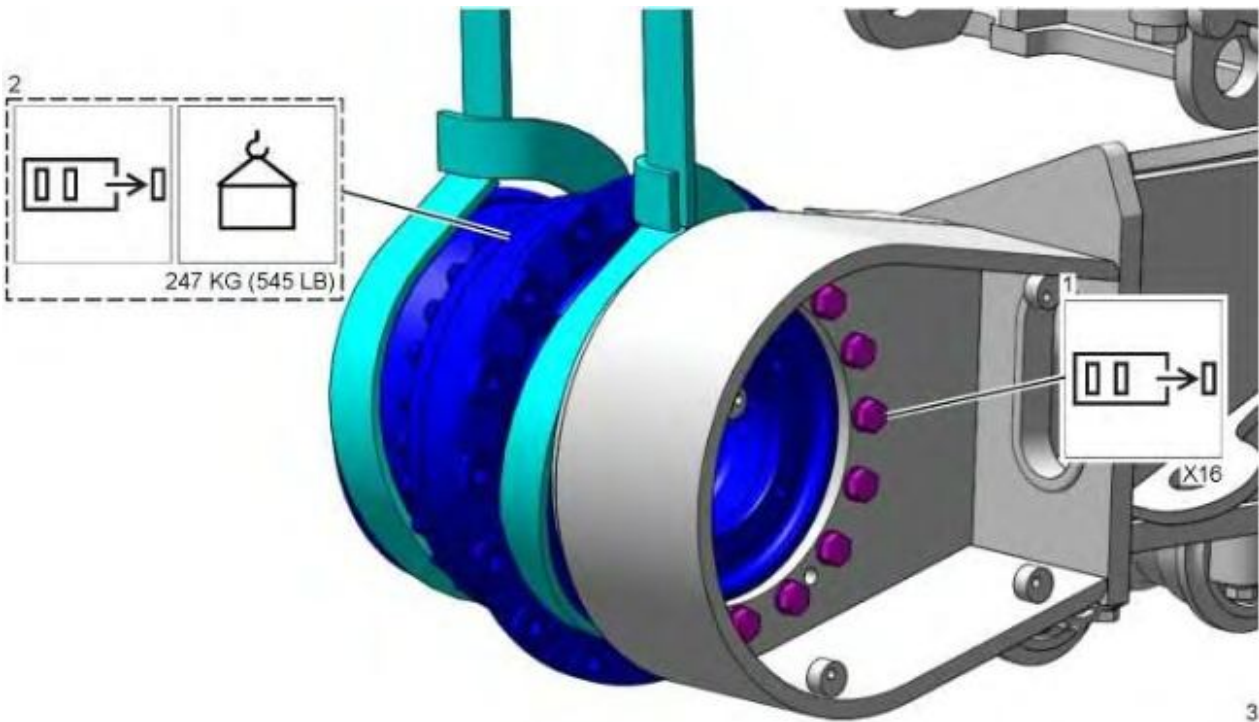


Illustration 3

g06191106

Installation Procedure

1. Install the final drive in the reverse order of removal.

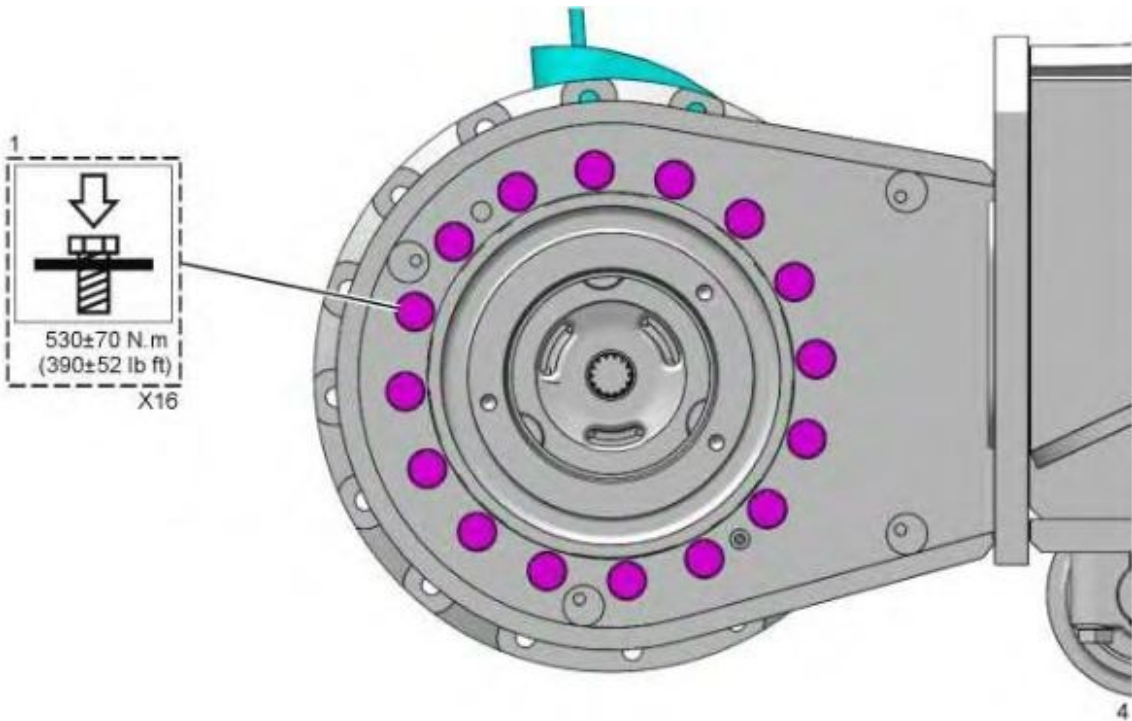


Illustration 4

g06191109

**Thank you very much
for your reading.**

**Please click here to buy
After you pay.**

**Then, you can
download the complete
manual instantly.
No waiting.**