

Product: MULTI TERRAIN LOADER

Model: 287D MULTI TERRAIN LOADER TLK

Configuration: 287D Multi Terrain Loader TLK00001-UP (MACHINE) POWERED BY C3.3B Engine

Disassembly and Assembly C2.6 and C3.3B Engines for Caterpillar Built Machines

Media Number -UENR0137-11

Publication Date -01/08/2015

Date Updated -12/07/2018

i05242439

Fuel Injection Pump and Governor - Disassemble

SMCS - 1286-015

Disassembly Procedure

Table 1

Required Tools			
Tool	Part Number	Part Description	Qty
A	390-1150	Injection Pump Gear Puller	1
	154-6360	Bolt	1
B	8H-0663	Bearing Puller	1

Start By:

- a. Remove fuel injection pump and governor.

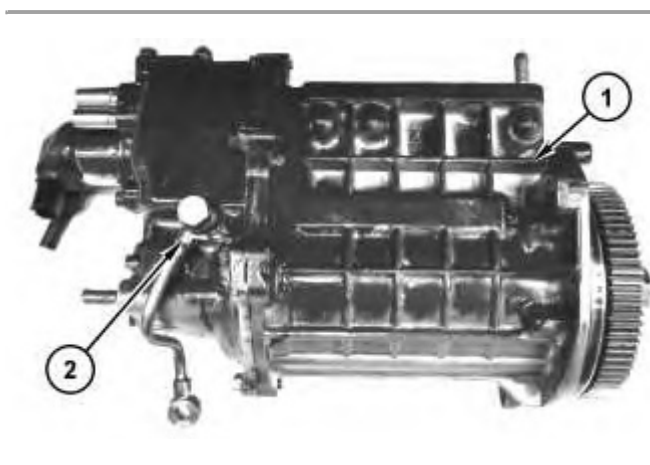


Illustration 1

g02805638

1. Inspect fuel injection pump and governor (1).
2. Remove tube (2).

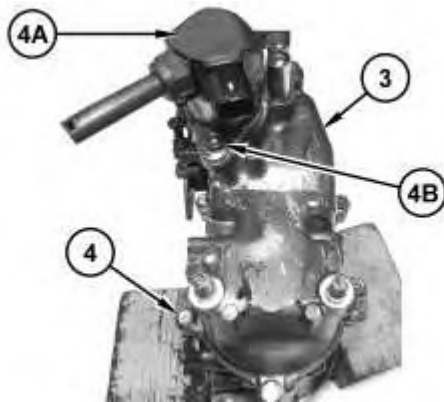


Illustration 2

g02805639

3. Use suitable blocking and position the fuel injection pump and governor. Remove bolts (4) and remove governor housing assembly (3).
4. Remove two bolts (4B) and remove stop solenoid (4A). Replace o-ring if necessary.

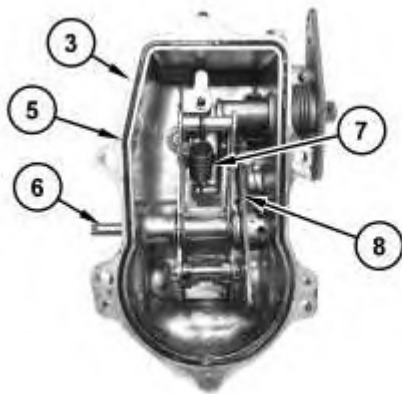


Illustration 3

g02805640

5. Remove and inspect O-ring seal (5) from governor housing assembly (3). If necessary, replace O-ring seal (5) with new.
 6. Remove shaft (6) and spring (7) from governor housing assembly (3). Remove governor lever (8).
-

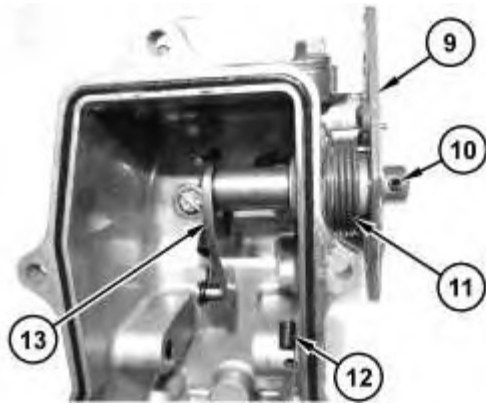


Illustration 4

g02805641

7. Remove pin (10) from governor lever assembly (12).
 8. Remove speed control lever (9) and spring (11) from governor lever assembly (12).
 9. Remove spring (13) and remove governor lever assembly (12) with the O-ring seals.
-

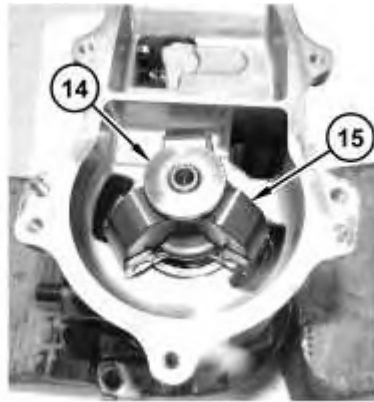


Illustration 5

g02805656



Illustration 6

g02805658

10. Remove governor sleeve (13) and nut (16). Remove governor weights (15).
-



Illustration 7

g02805660

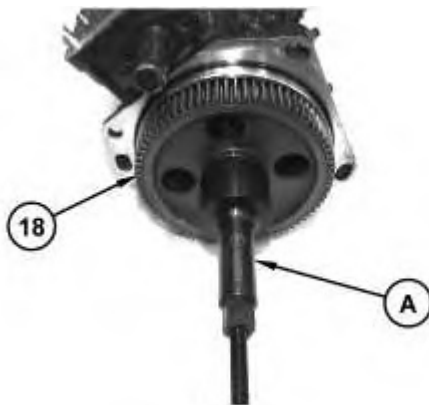


Illustration 8

g02805696

11. Remove nut (17) from gear (18).

Note: Nut (17) has reverse threads.

12. Use Tooling (A) to remove gear (18).

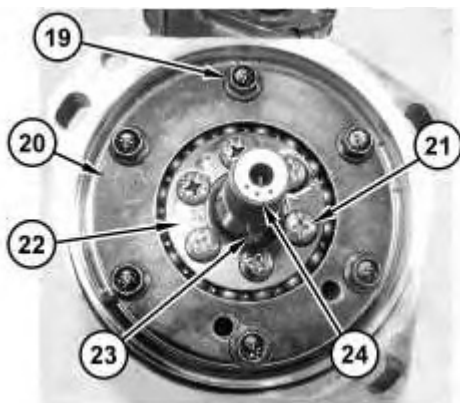


Illustration 9

g02805716

13. Remove bolts (19) and retaining plate (20).

14. Remove fuel camshaft (24) from the housing assembly.

15. Remove screws (21) and retaining plate (22). If necessary, replace key (23) with new.

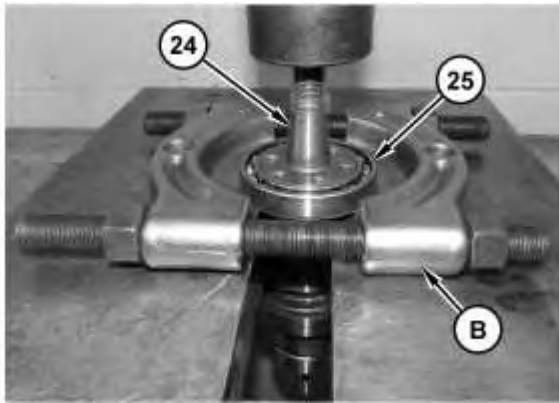


Illustration 10

g02805762

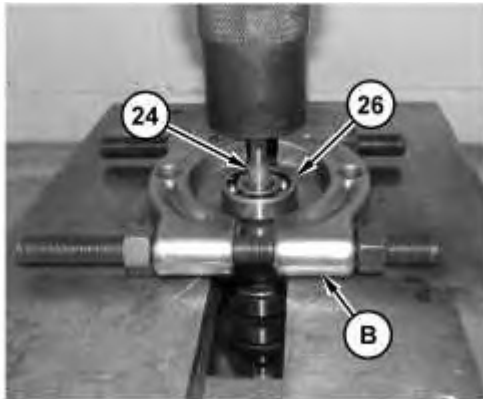


Illustration 11

g02805764

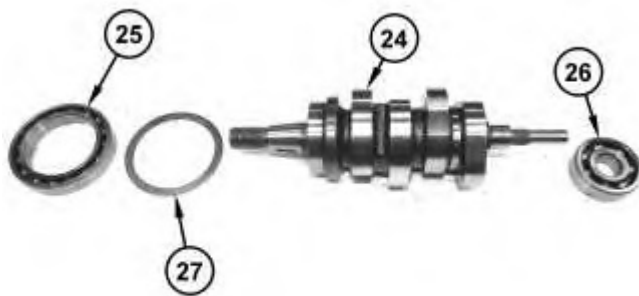


Illustration 12

g02805765

16. Use a suitable press and Tooling (B) to remove bearing (25) from fuel camshaft (24) and ring (27).

17. Use a suitable press and Tooling (B) to remove bearing (26) from fuel camshaft (24).

**Thank you very much
for your reading.**

**Please click here to buy
After you pay.**

**Then, you can
download the complete
manual instantly.
No waiting.**