

SERVICE MANUAL

W270C / W300C

Wheel Loader

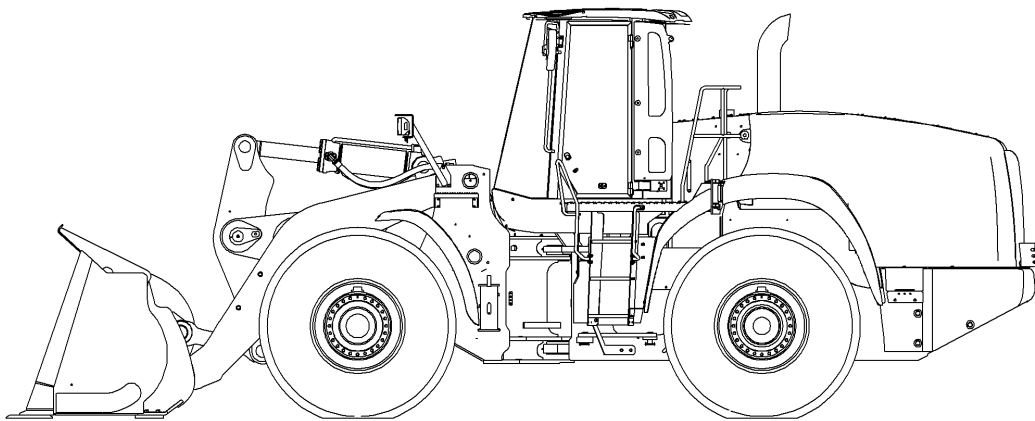
Tier 4

Print No. 84547255C





SERVICE MANUAL



W270C
W300C

Contents

INTRODUCTION

Engine.....	10
[10.001] Engine and crankcase	10.1
[10.202] Air cleaners and lines	10.2
[10.500] Selective Catalytic Reduction (SCR) exhaust treatment	10.3
[10.400] Engine cooling system	10.4
[10.310] Aftercooler.....	10.5
Transmission.....	21
[21.114] Mechanical transmission	21.1
Four-Wheel Drive (4WD) system	23
[23.314] Drive shaft.....	23.1
Front axle system	25
[25.100] Powered front axle	25.1
Rear axle system.....	27
[27.100] Powered rear axle.....	27.1
Brakes and controls	33
[33.202] Hydraulic service brakes	33.1
[33.110] Parking brake or parking lock	33.2
Hydraulic systems.....	35
[35.000] Hydraulic systems.....	35.1
[35.300] Reservoir, cooler, and filters.....	35.2
[35.106] Variable displacement pump	35.3
[35.525] Auxiliary hydraulic valves and lines	35.4
[35.701] Front loader arm hydraulic system	35.5
[35.723] Front loader bucket hydraulic system	35.6
Frames and ballasting	39

[39.100] Frame	39.1
Steering	41
[41.101] Steering control	41.1
[41.200] Hydraulic control components.....	41.2
[41.216] Cylinders	41.3
[41.910] Auxiliary steering	41.4
Wheels	44
[44.511] Front wheels.....	44.1
Cab climate control	50
[50.200] Air conditioning.....	50.1
Electrical systems	55
[55.000] Electrical system	55.1
[55.100] Harnesses and connectors.....	55.2
[55.015] Engine control system.....	55.3
[55.201] Engine starting system	55.4
[55.301] Alternator.....	55.5
[55.302] Battery.....	55.6
[55.202] Cold start aid	55.7
[55.011] Fuel tank system	55.8
[55.988] Selective Catalytic Reduction (SCR) electrical system	55.9
[55.012] Engine cooling system	55.10
[55.024] Transmission control system.....	55.11
[55.519] Cab brake controls	55.12
[55.030] Service brake electrical system	55.13
[55.031] Parking brake electrical system	55.14
[55.512] Cab controls.....	55.15
[55.035] Remote control valve electric control	55.16
[55.036] Hydraulic system control	55.17

[55.051] Cab Heating, Ventilation, and Air-Conditioning (HVAC) controls.....	55.18
[55.050] Heating, Ventilation, and Air-Conditioning (HVAC) control system.....	55.19
[55.047] Steering control system	55.20
[55.524] Cab controls (Lift arm, Boom, Dipper, Bucket).....	55.21
[55.415] Loader arm and bucket control system	55.22
[55.530] Camera.....	55.23
[55.518] Wiper and washer system.....	55.24
[55.404] External lighting	55.25
[55.405] External lighting switches and relays	55.26
[55.514] Cab lighting	55.27
[55.510] Cab or platform harnesses and connectors.....	55.28
[55.408] Warning indicators, alarms, and instruments	55.29
[55.DTC] FAULT CODES.....	55.30
Booms, dippers, and buckets	84
[84.100] Bucket.....	84.1
Platform, cab, bodywork, and decals	90
[90.150] Cab.....	90.1
[90.151] Cab interior.....	90.2
[90.114] Operator protections	90.3

Thank you very much for your reading. Please Click Here. Then Get COMPLETE MANUAL. NO WAITING



NOTE:

If there is no response to click on the link above, please download the PDF document first and then click on it.