

SERVICE MANUAL

L213 / L215 / L218 / L220

L223 / L225 / L230

200 Series Skid Steer Loader

C227 / C232 / C238

200 Series Compact Track Loader

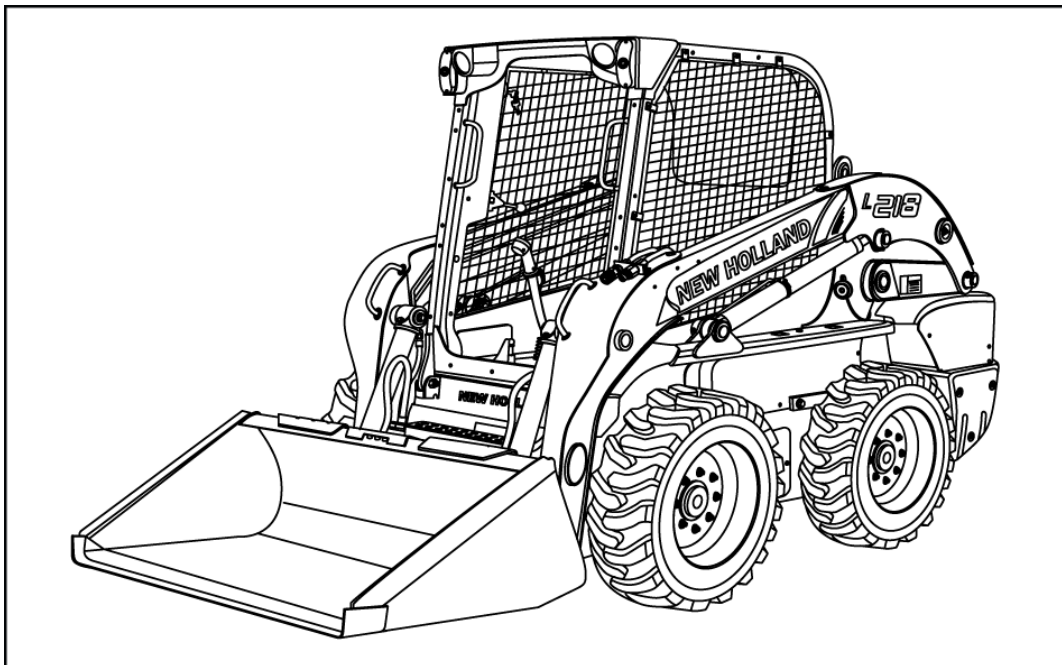
Part number 84522361

1st edition English
June 2011





SERVICE MANUAL



C227 , C232 , C238 , L213 , L215 , L218 , L220 , L223 , L225 , L230

Contents

INTRODUCTION

HYDRAULIC, PNEUMATIC, ELECTRICAL, ELECTRONIC SYSTEMS A

PRIMARY HYDRAULIC POWER SYSTEM.....	A.10.A
SECONDARY HYDRAULIC POWER SYSTEM.....	A.12.A
HYDRAULIC COMMAND SYSTEM.....	A.14.A
HIGH-FLOW HYDRAULIC POWER SYSTEM.....	A.16.A
ELECTRICAL POWER SYSTEM	A.30.A
LIGHTING SYSTEM.....	A.40.A
ELECTRONIC SYSTEM	A.50.A
FAULT CODES.....	A.50.A

ENGINE AND PTO IN B

ENGINE	B.10.A
FUEL AND INJECTION SYSTEM.....	B.20.A
AIR INTAKE SYSTEM.....	B.30.A
ENGINE COOLANT SYSTEM	B.50.A
STARTING SYSTEM	B.80.A

TRANSMISSION, DRIVE AND PTO OUT C

TRANSMISSION Hydrostatic.....	C.20.F
-------------------------------	--------

AXLES, BRAKES AND STEERING..... D

Final drive	D.15.A
Final drive Hydraulic drive	D.15.C
STEERING Mechanical	D.20.B
PARKING BRAKE Hydraulic	D.32.C
WHEELS AND TRACKS Tracks	D.50.B
WHEELS AND TRACKS Wheels.....	D.50.C

FRAME AND CAB E

FRAME Primary frame	E.10.B
SHIELD.....	E.20.A

USER CONTROLS AND SEAT	E.32.A
USER CONTROLS AND SEAT Operator seat	E.32.C
USER PLATFORM	E.34.A
ENVIRONMENT CONTROL Air-conditioning system	E.40.C
SAFETY SECURITY ACCESSORIES Safety	E.50.B
FRAME POSITIONING	F
STABILISING Ballasting	F.20.B
TOOL POSITIONING	G
LIFTING	G.10.A
TILTING	G.20.A
LEVELLING	G.30.A
SECONDARY FUNCTIONS Hydraulic	G.90.C
HITCH AND WORKING TOOL	H
BOOM Lift	H.20.B
ARM TOOL ATTACHMENT Tilt	H.30.C
SINGLE ARM Lift	H.40.B
SINGLE ARM TOOL ATTACHMENT Tilt	H.50.C
EXCAVATING AND LANDSCAPING	J
DIGGING Non-articulated digging tools	J.20.B
CARRYING Unarticulated tools	J.50.B
COUPLING Mechanical coupling	J.80.B
COUPLING Hydraulic coupling	J.80.C

**Thank you very much
for your reading.**

**Please click here to buy
After you pay.**

**Then, you can
download the complete
manual instantly.
No waiting.**