

Product: BACKHOE LOADER

Model: 432F2 BACKHOE LOADER HWP

Configuration: 432F2 Side Shift Backhoe Loader HWP00001-UP (MACHINE) POWERED BY C4.4 Engine

## Disassembly and Assembly

### 422F2, 427F2, 428F2, 432F2, 434F2 and 444F2 Backhoe Loaders Powertrain

Media Number -UENR3743-01

Publication Date -01/06/2015

Date Updated -05/06/2018

i06194852

## Axle Housing (Service Brakes, Differential and Bevel Gear) - Disassemble

SMCS - 3256-015; 3258-015; 3260-015; 4251-015

### Disassembly Procedure

Table 1

Required Tools			
Tool	Part Number	Part Description	Qty
A	202-7965	Spanner Wrench	1
B	1P-2321	Combination Puller	1
C	235-2784	Adjusting Tool Gp	1
D	8H-0663	Bearing Puller Gp	1

#### Start By:

- a. Remove the axle housing.

---

### NOTICE

**Keep all parts clean from contaminants.**

**Contaminants may cause rapid wear and shortened component life.**

---

---

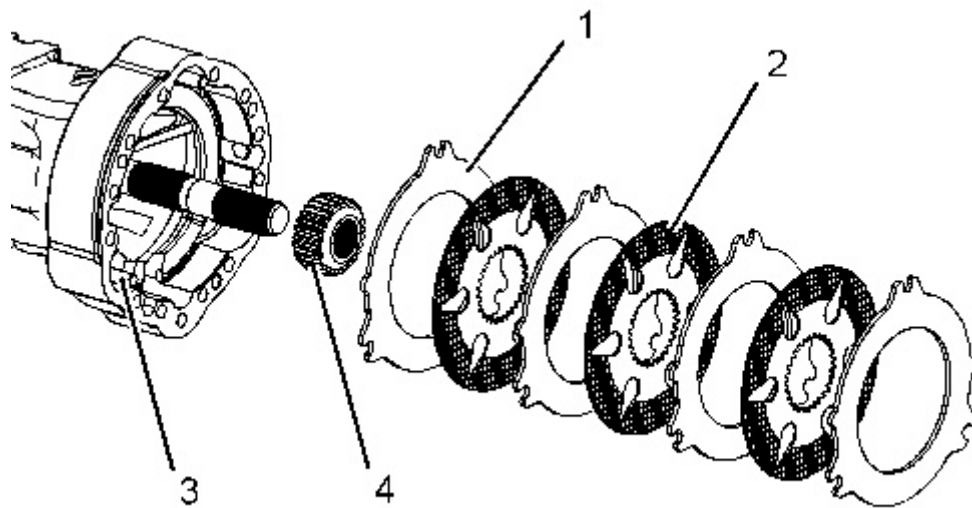


Illustration 1

g01636808

1. Remove plates (1), brake discs (2), and brake hub (4) from the brake cylinder assembly. Remove dowels (3).

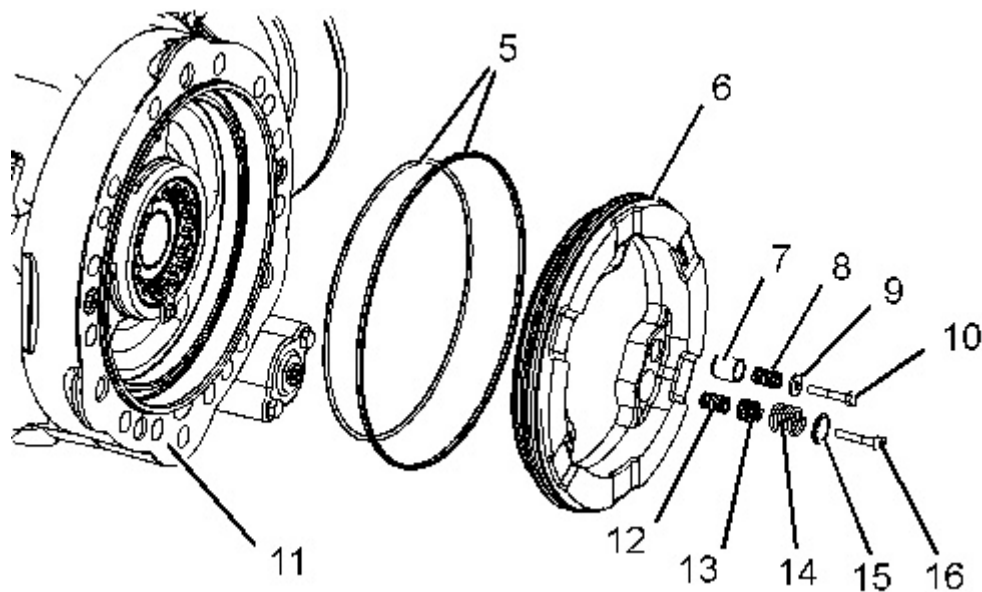


Illustration 2

g01636809

**! WARNING**

**Personal injury can result from being struck by parts propelled by a released spring force.**

**Make sure to wear all necessary protective equipment.**

**Follow the recommended procedure and use all recommended tooling to release the spring force.**

---

2. Remove bolts (10), washers (9), bushing (8), and spacer (7). Remove bolts (16), retainers (15), springs (14), springs (13), and bushings (12), as an assembly. Use a suitable pry bar and remove brake piston (6) from brake cylinder assembly (11). Remove O-ring seals (5) from brake piston (6). Repeat this step for the opposite side.
- 

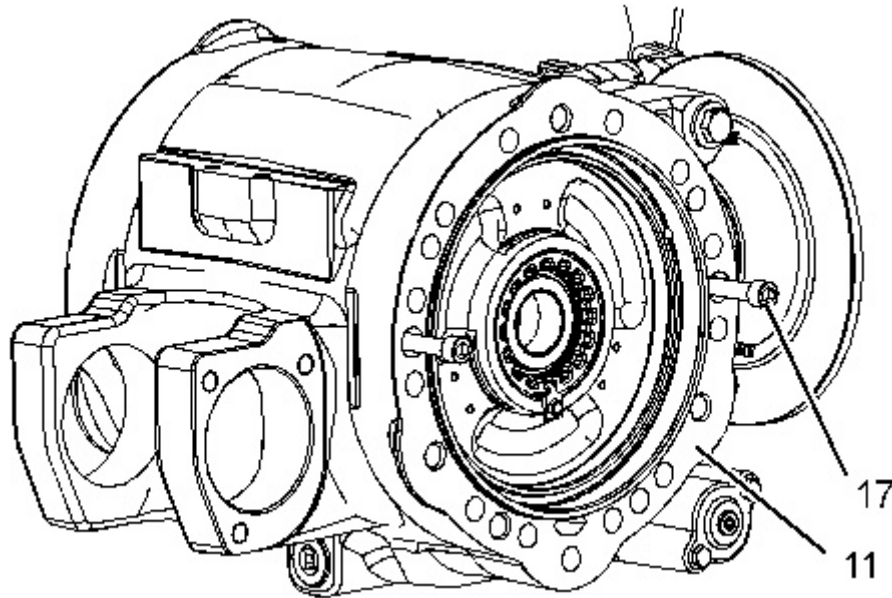


Illustration 3

g01636811

3. Remove bolts (17) from brake cylinder assembly (11).
- 

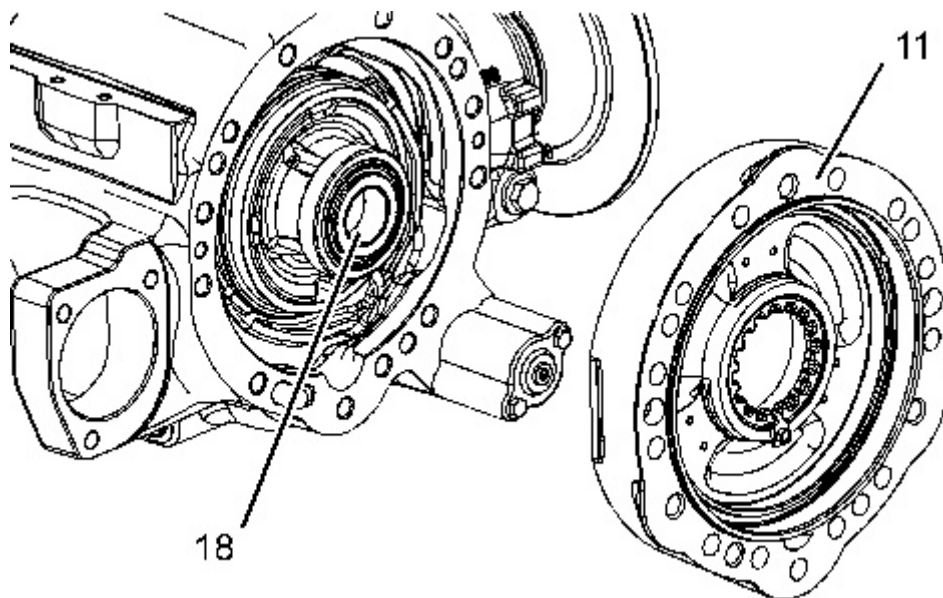


Illustration 4

g01636812

**Note:** Before you remove brake cylinder assembly (11), make location marks for installation purposes.

4. Remove brake cylinder assembly (11).
5. Repeat Step 3 and Step 4 for the opposite side.
6. Remove the differential and bevel gear assembly (18) from the bevel gear side of the center housing.

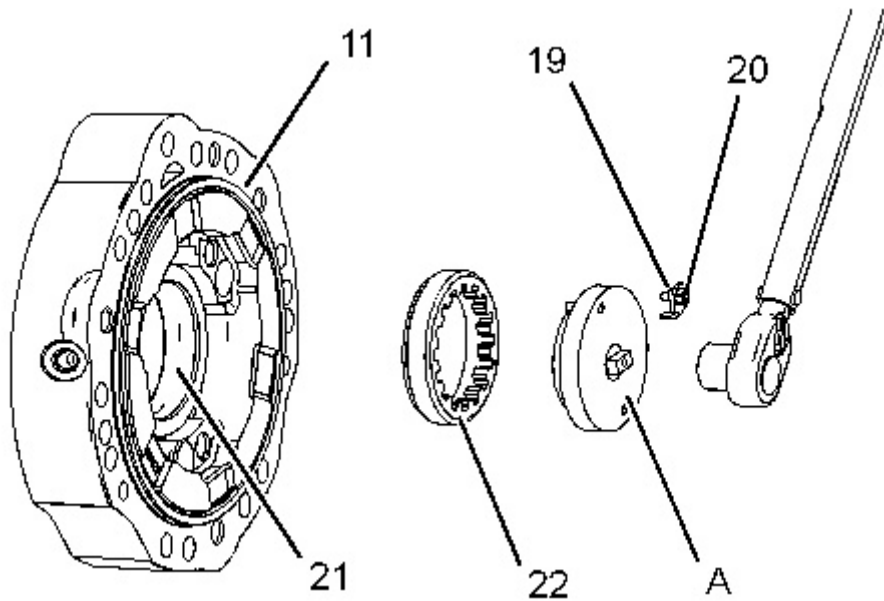
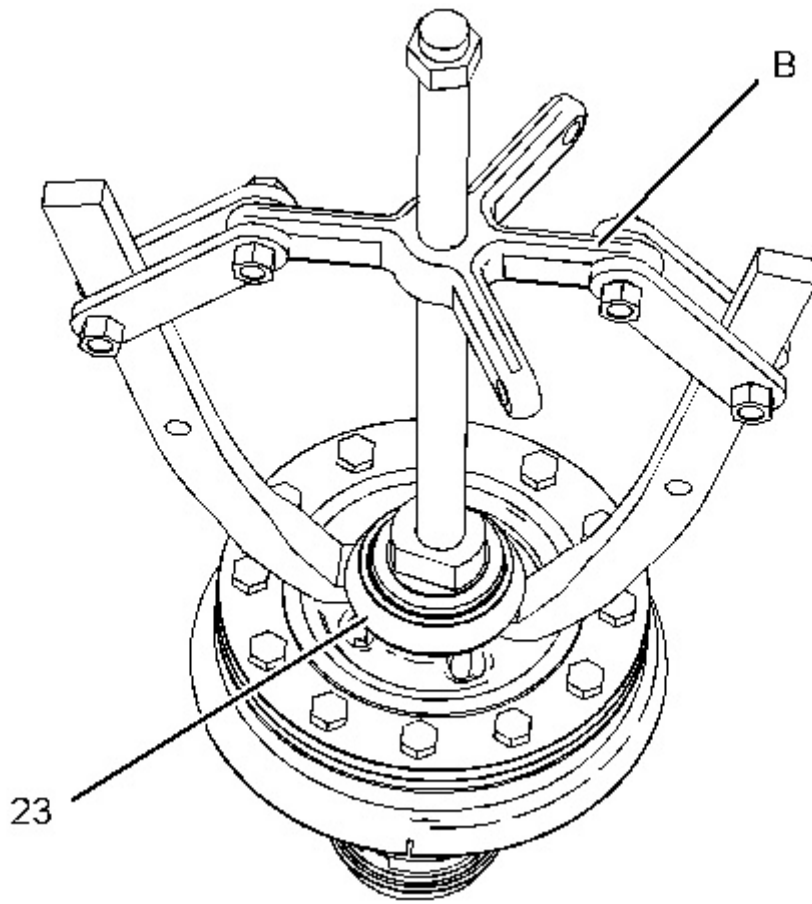


Illustration 5

g01637013

7. Remove bolt (20) and retainer (19). Use Tooling (A) to remove spanner nut (22). If necessary, remove bearing cup (21) from brake cylinder assembly (11). Repeat this step for the opposite side.
-

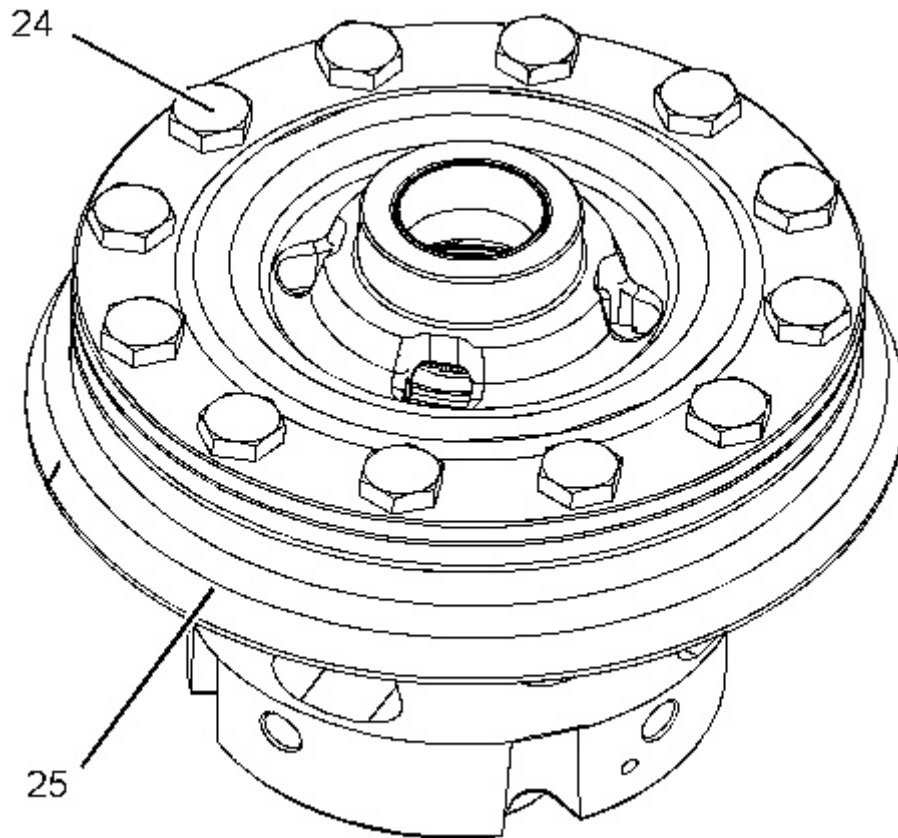


---

Illustration 6

g01637914

8. Use Tooling (B) in order to remove bearing cone (23).
-

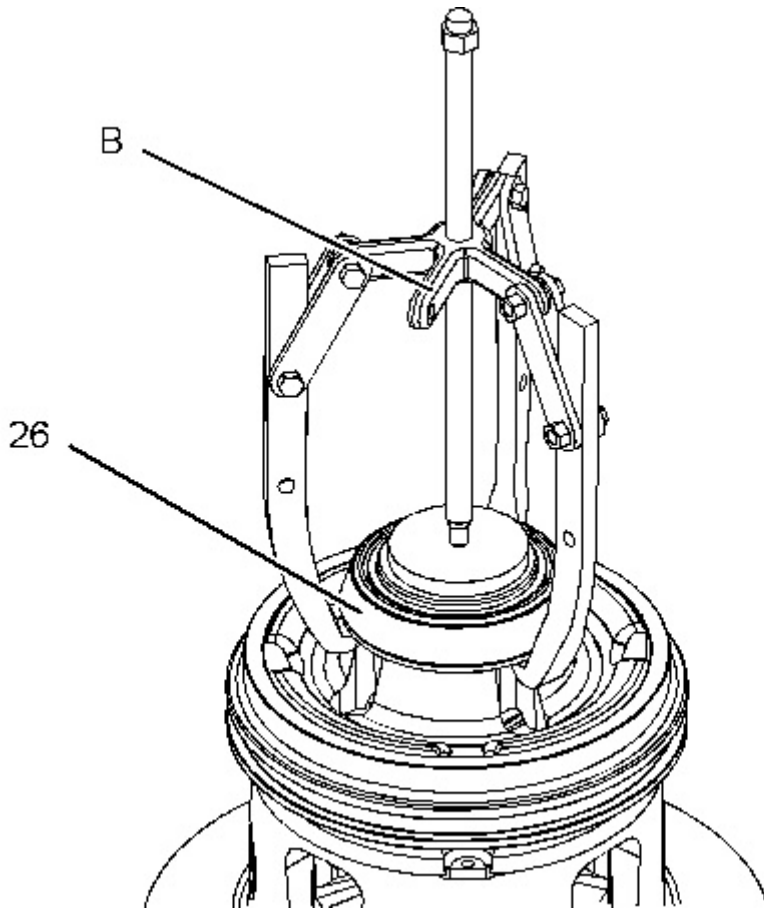


---

Illustration 7

g01637979

9. Lock the differential in a vise. Remove bolts (24) and bevel gear (25) from the differential.
-

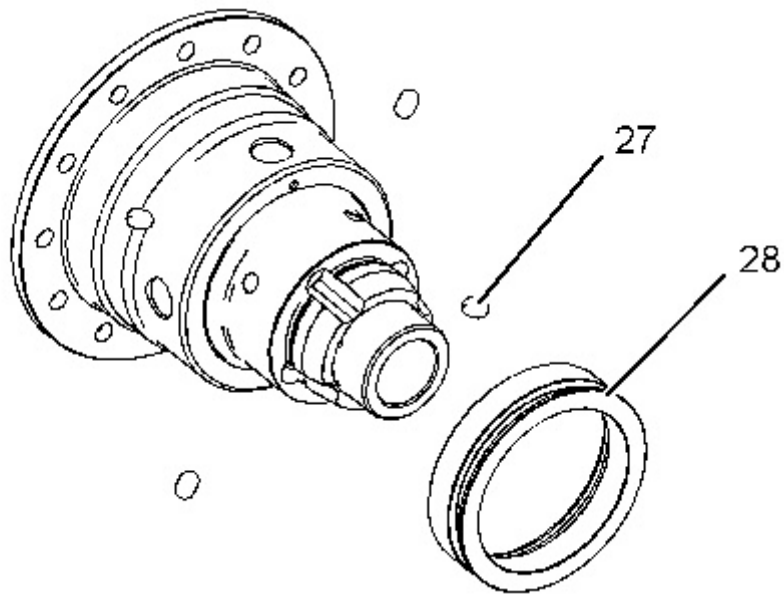


---

Illustration 8

g01637980

10. Use Tooling (B) to remove bearing cone (26).
- 



---

Illustration 9

g01637981

11. Remove collar (28), pins (27), and the seals.
-

**Thank you very much  
for your reading.**

**Please click here to buy  
After you pay.**

**Then, you can  
download the complete  
manual instantly.  
No waiting.**