

JOHN DEERE
WORLDWIDE COMMERCIAL & CONSUMER
EQUIPMENT DIVISION

Material Collection System (MCS) for
ZTRAK Front Mowers

OMM145683 A1

OPERATOR'S MANUAL



North American Version
Litho in U.S.A.

INTRODUCTION

Thank You for Purchasing a John Deere Product

We appreciate having you as a customer and wish you many years of safe and satisfied use of your machine.

Using Your Operator's Manual

This manual is an important part of your machine and should remain with the machine when you sell it.

Reading your operator's manual will help you and others avoid personal injury or damage to the machine. Information given in this manual will provide the operator with the safest and most effective use of the machine. Knowing how to operate this machine safely and correctly will allow you to train others who may operate this machine.

If you have an attachment, use the safety and operating information in the attachment operator's manual along with the machine operator's manual to operate the attachment safely and correctly.

This manual and safety signs on your machine may also be available in other languages (see your John Deere dealer to order).

Sections in your operator's manual are placed in a specific order to help you understand all the safety messages and learn the controls so you can operate this machine safely. You can also use this manual to answer any specific operating or servicing questions. A convenient index located at the end of this book will help you to find needed information quickly.

The machine shown in this manual may differ slightly from your machine, but will be similar enough to help you understand our instructions.

RIGHT-HAND and LEFT-HAND sides are determined by facing in the direction the machine will travel when going forward. When you see a broken line arrow (----->), the item referred to is hidden from view.

Special Messages

Your manual contains special messages to bring attention to potential safety concerns, machine damage as well as helpful operating and servicing information. Please read all the information carefully to avoid injury and machine damage.

IMPORTANT: Avoid damage! This text is used to tell the operator of actions or conditions that might result in damage to the machine.

NOTE: General information is given throughout the manual that may help the operator in the operation or service of the machine.



CAUTION: Avoid injury! This symbol and text highlight potential hazards or death to the operator or bystanders that may occur if the hazards or procedures are ignored.

PRODUCT IDENTIFICATION

Record Identification Numbers

Material Collection System (MCS) for ZTRAK Front Mowers

Serial No. (020001-)

If you need to contact an Authorized Service Center for information on servicing, always provide the product model and serial number.

You will need to locate the serial number for the machine. Record the information in the spaces provided below.

DATE OF PURCHASE:

DEALER NAME:

DEALER PHONE:

SERIAL NUMBER (A):

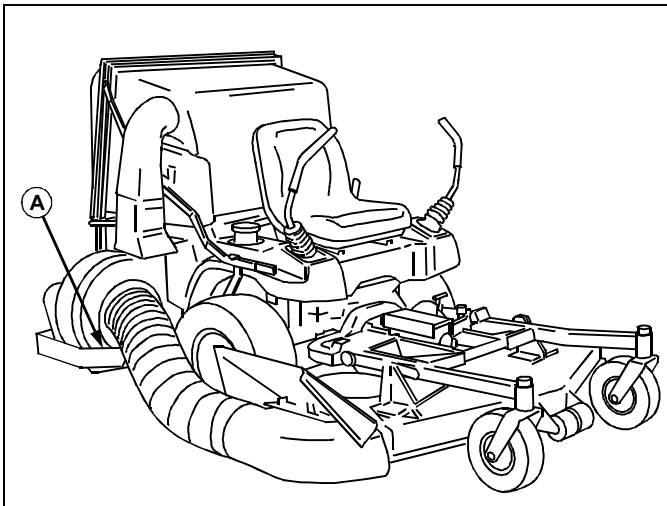


TABLE OF CONTENTS

Safety	1
Installing	6
Removing	9
Operating	11
Replacement Parts	14
Service	15
Troubleshooting	19
Storage	20
Assembly	21
Specifications	40
Index	41

All information, illustrations and specifications in this manual are based on the latest information at the time of publication. The right is reserved to make changes at any time without notice.

COPYRIGHT© 2001
Deere & Co.

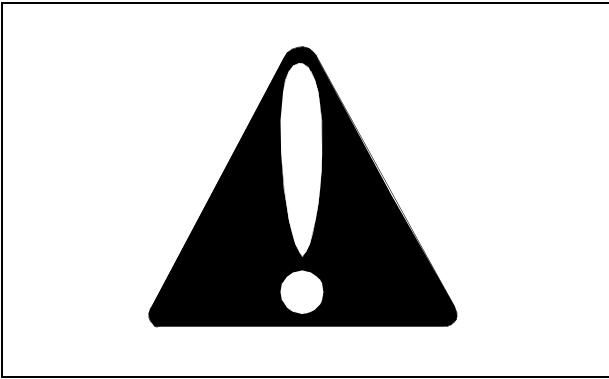
John Deere Worldwide Commercial and
Consumer Equipment Division

All rights reserved
Previous Editions
COPYRIGHT© 2000

OMM145683 A1 - English

SAFETY

Understanding The Machine Safety Labels

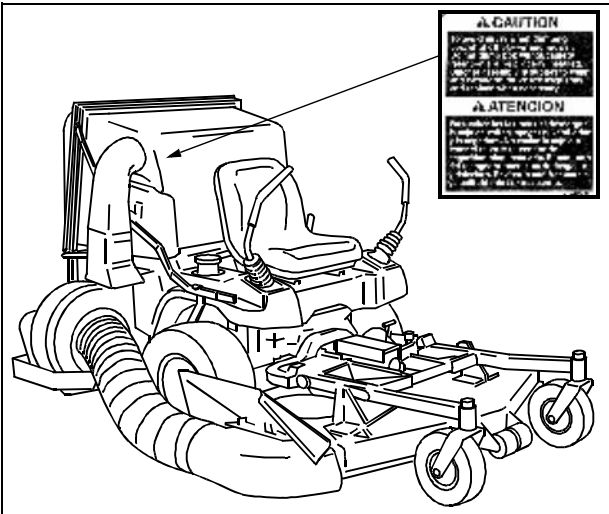


The machine safety labels shown in this section are placed in important areas on your machine to draw attention to potential safety hazards.

On your machine safety labels, the words **DANGER**, **WARNING**, and **CAUTION** are used with this safety-alert symbol, (▲). **DANGER** identifies the most serious hazards.

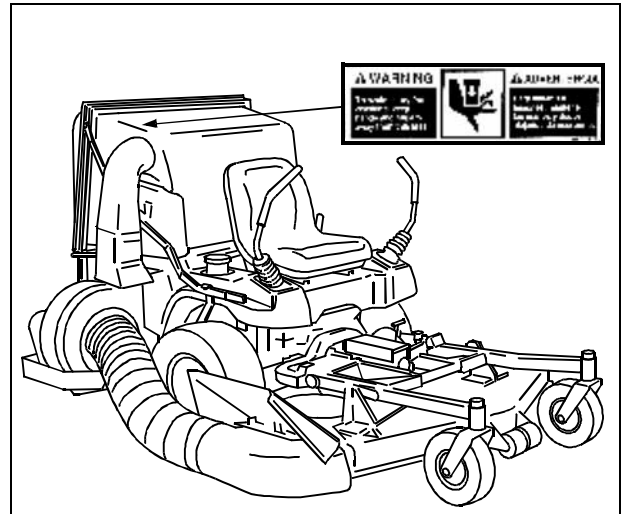
The operator's manual also explains any potential safety hazards whenever necessary in special safety messages that are identified with the word, **CAUTION**, and the safety-alert symbol, (▲).

Caution—Avoid Injury When Dumping MCS Box



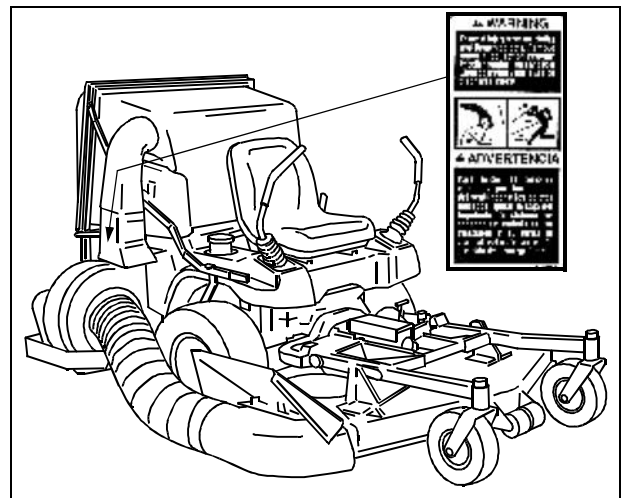
To avoid injury when dumping box, shut off blower and mower. Do Not dump box without safety retention spring properly installed. Catcher assembly is subject to wear and deterioration, check frequently and replace when necessary.

Warning—Avoid Injury From Crushing



To avoid injury from crushing, keep hands and fingers away from this area.

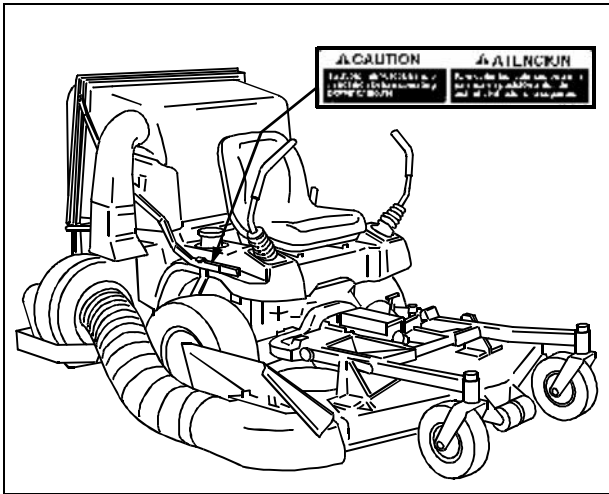
Warning—Avoid Injury From Fan Blades and Thrown Objects



Avoid injury from fan blades and thrown objects. Remove material collection systems impeller housing, hose and boot when operating vehicle in side discharge mode.

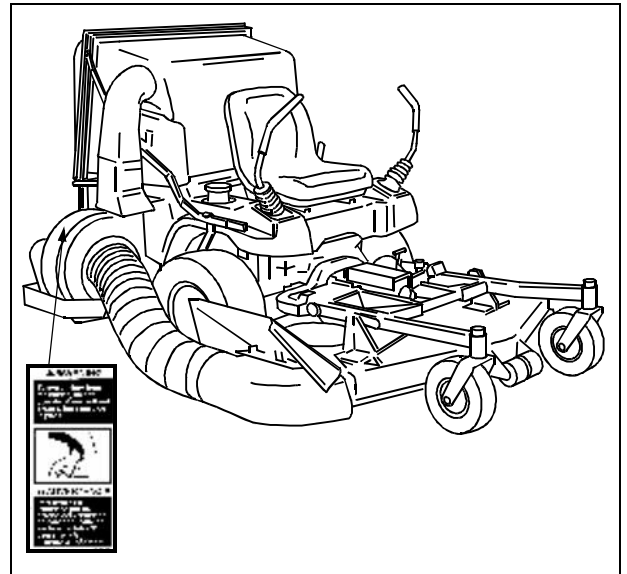
SAFETY

Caution—Avoid Injury From MCS Handle



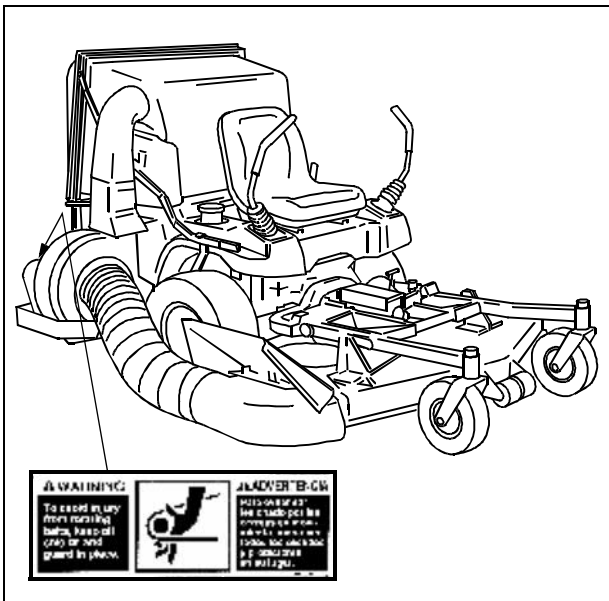
To avoid injury, lock handle in position before operating blower or mower.

Warning—Avoid Injury From Fan Blades



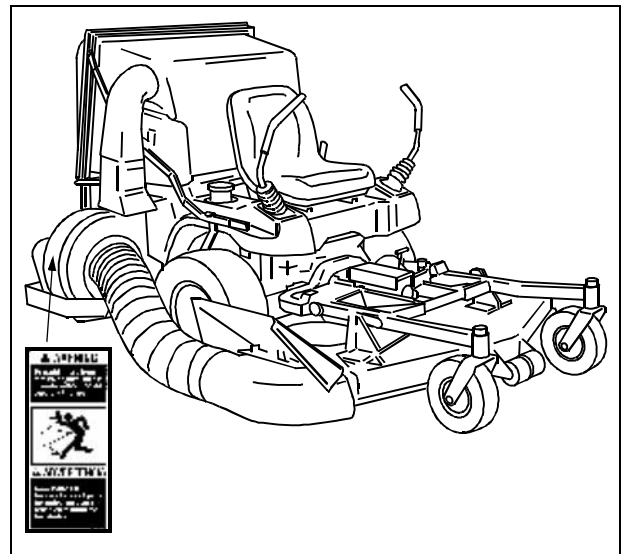
To avoid injury from fan blades, Do Not operate blower without chute and hose secured in place.

Warning—Avoid Injury From Rotating Belts



To avoid injury from rotating belts, keep all shields and guard in place.

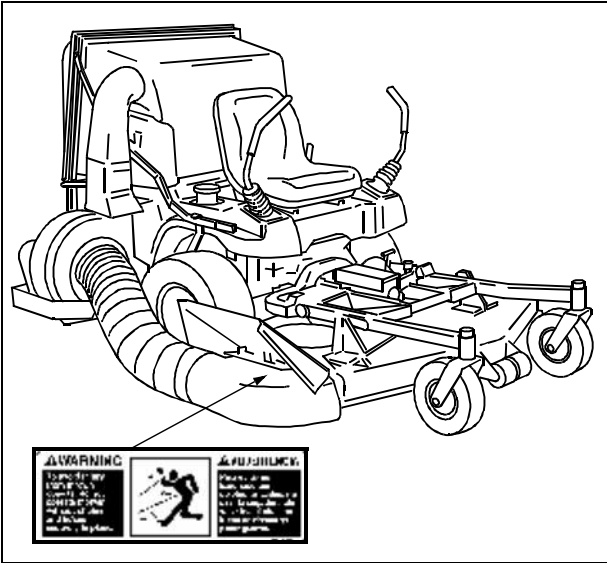
Warning—Avoid Injury From Thrown Objects



To avoid injury from thrown objects, Do Not operate without hoses securely in place.

SAFETY

Warning—Avoid Injury From Thrown Objects



To avoid injury from thrown objects, Do Not operate mower without chutes and hoses securely in place.

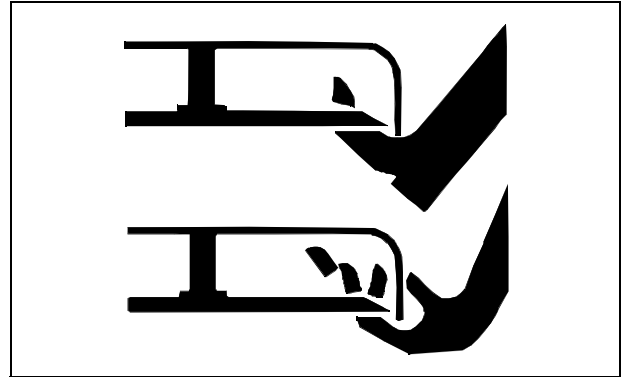
Park Vehicle Safely

1. Stop vehicle on a level surface, not on a slope.
2. Disengage PTO.
3. Lock park brake.
4. Stop the engine.
5. Remove the key.
6. Before you leave the operator's seat, wait for the engine and all moving parts to stop.

Avoid Injury From Thrown Objects

- When operating the vehicle with the MCS installed make sure all chutes and hoses are securely in place.
- Avoid injury from impeller blades and thrown objects. Remove MCS blower, hose and boot when operating vehicle in side discharge mode.

Avoid Injury From Contacting Blades



Before dismounting to unplug the MCS or adjust the mower:

- DISENGAGE PTO to stop Front Mower blades.
- STOP the engine.
- LOCK the park brake.
- Remove key.
- Wait for mower blades to STOP.
- Keep hands, feet and clothing away from mower deck when engine is running.
- Disengage PTO to stop mower blades when not using the mower.

Stay Clear of Rotating Drivelines



Entanglement in rotating driveline can cause serious injury or death:

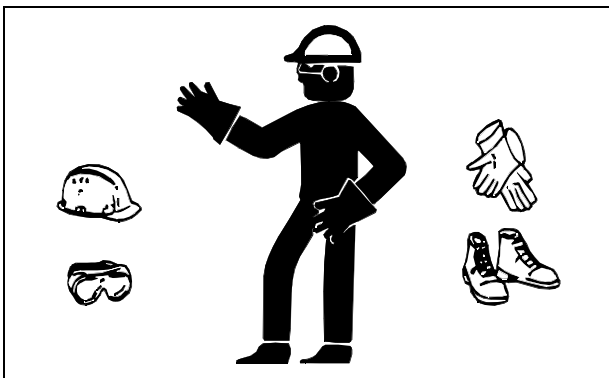
- Wear close fitting clothing.
- STOP the engine and be sure PTO driveline is stopped before getting near it.

SAFETY

Operator Training Required

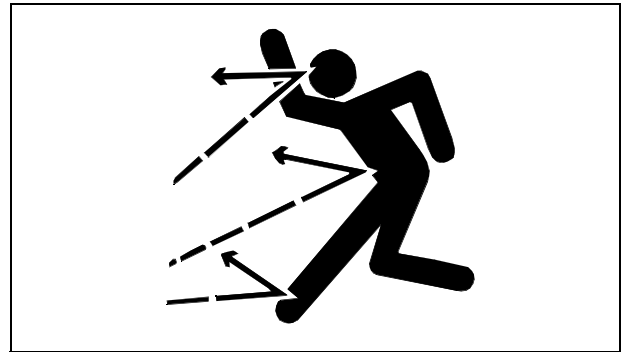
- Read this manual carefully before operating the MCS.
- Read all CAUTION and WARNING safety labels on MCS.
- Learn the use of all controls.
- Operator experience is required to learn the operating characteristics of the MCS.
- The owner of the machine is responsible for training the users of the machine.
- The owner/user can prevent and is responsible for accidents or injuries occurring to themselves, other people, or property.
- Do not allow operation of the machine by untrained persons.
- Read the operator manual and study the safety and operation sections before operating the machine.
- If the operator of the machine cannot read English, the machine owner's responsible to explain this material to the operator. This publication is available in other languages.
- Operate machine in an open, unobstructed area under the direction of an experienced operator.
- Learn the use of all controls.
- Operator experience is required to learn the moving, stopping, turning and other operating characteristics of the machine.

Wear Appropriate Clothing



- Wear close fitting clothing and safety equipment appropriate for the job.
- Loud noise can cause impairment or loss of hearing, wear a suitable protective device such as earplugs.
- Do not wear a radio or music headphones while servicing the machine. Safe servicing requires your full attention.

Operating Safely



- Inspect machine before you operate. Be sure hardware is tight. Repair or replace damaged, badly worn, or missing parts. Be sure guards and shields are in good condition and fastened in place. Make any necessary adjustments before you operate.
- Check before each use that operator presence controls are functioning correctly. Test safety systems. Do not operate unless they are functioning correctly.
- Do not change the engine governor setting or overspeed the engine.
- Check brake action before you operate. Adjust or service brakes as necessary.
- Clear work area of objects that might be thrown. Keep people and pets out of work area.
- Stop machine if anyone enters the area.
- Never raise mower decks when blades are running.
- If you hit an object, stop and inspect the machine. Make repairs before you operate. Keep machine and attachments properly maintained and in good working order.
- Do not leave machine unattended when it is running.
- Only operate during daylight or with good artificial light.
- Slow down and be careful of traffic when operating near or crossing roadways. Stop blades before crossing roads or sidewalks. Use care when approaching blind corners, shrubs, trees, or other objects that may obscure vision.
- Do not wear radio or music headphones while operating the machine. Safe operation requires your full attention.
- DO NOT operate vehicle while under the influence of drugs.
- Disengage PTO and stop engine when emptying the MCS.
- Allow only operator on vehicle. Keep riders off.
- DO NOT operate vehicle with MCS in the dump position.
- DO NOT mow with MCS near a ditch or embankment.

**Thank you very much
for your reading.**

**Please click here and go
back to the website.**

**Then, you can
download the complete
manual instantly.**

No waiting.