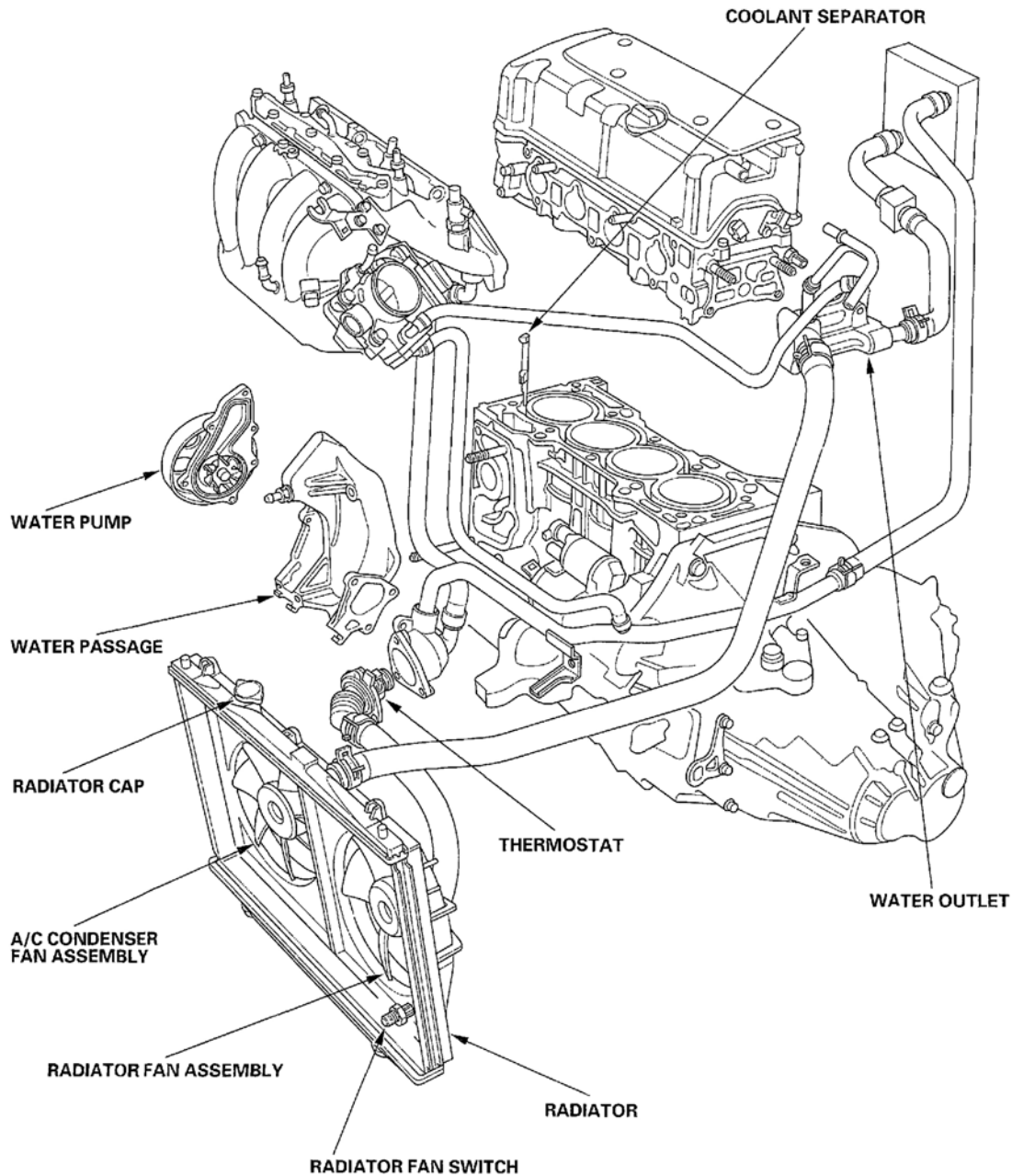


COMPONENT LOCATION INDEX

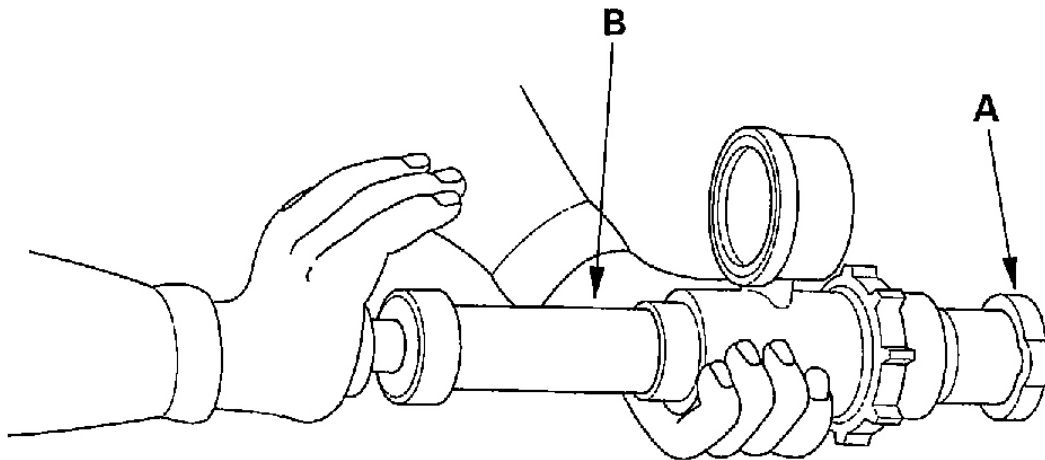


G01821450

**Fig. 1: Locating Cooling System Components**

## RADIATOR CAP TEST

1. Remove the radiator cap (A), wet its seal with engine coolant, then install it on the pressure tester (B) (commercially available).



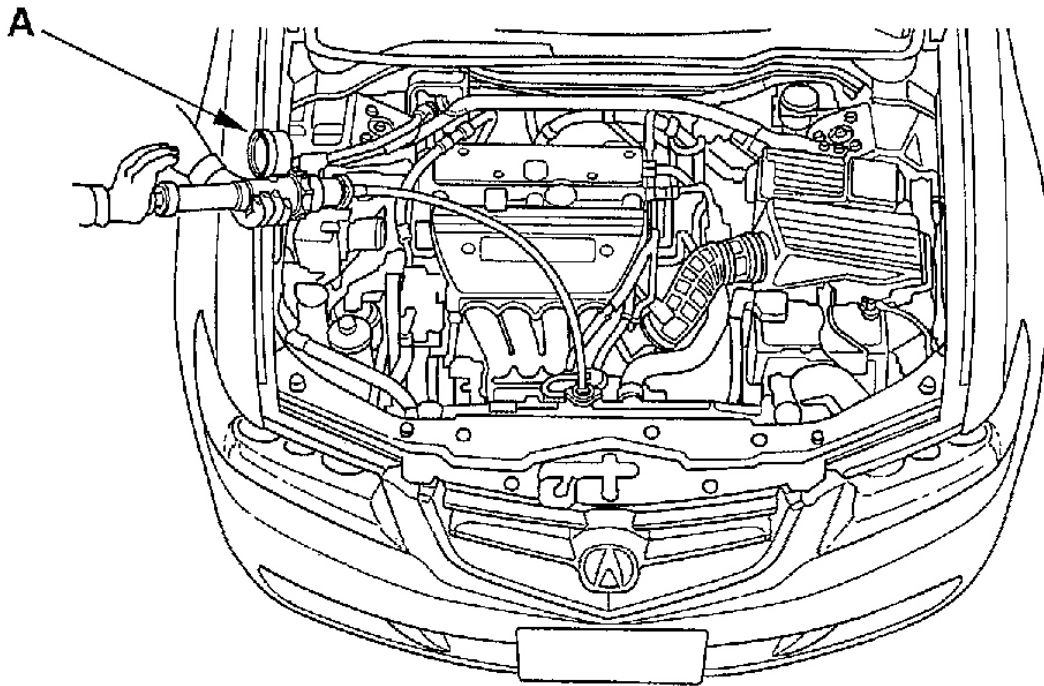
G01821451

**Fig. 2: Remove The Radiator Cap And Install It On The Pressure Tester**

2. Apply a pressure of 93 - 123 kPa (0.95 - 1.25 kgf/cm<sup>2</sup> , 14 - 18 psi).
3. Check for a drop in pressure.
4. If the pressure drops, replace the cap.

## RADIATOR TEST

1. Wait until the engine is cool, then carefully remove the radiator cap and fill the radiator with engine coolant to the top of the filler neck.
2. Attach the pressure tester (A) (commercially available) to the radiator.



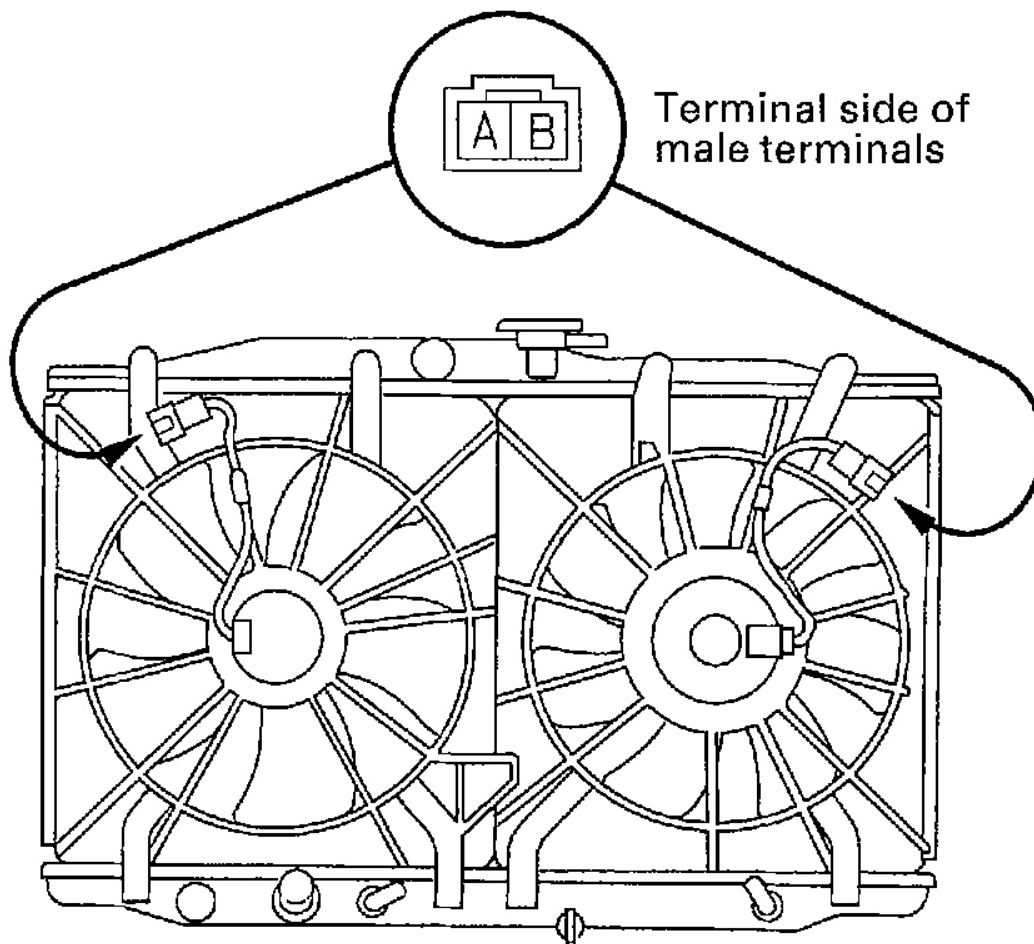
G01821452

**Fig. 3: Attaching The Pressure Tester To The Radiator**

3. Apply a pressure of 93 - 123 kPa (0.95 - 1.25 kgf/cm<sup>2</sup> , 14 - 18 psi).
4. Inspect for engine coolant leaks and a drop in pressure.
5. Remove the tester, and reinstall the radiator cap.
6. Check for engine oil in the coolant and/or coolant in the engine oil.

## FAN MOTOR TEST

1. Disconnect the 2P connectors from the radiator fan motor and condenser fan motor.



G01821453

**Fig. 4: Disconnecting The 2P Connectors From The Radiator Fan Motor And Condenser Fan Motor**

2. Test the motor by connecting battery power to the B terminal and ground to the A terminal.
3. If the motor fails to run or does not run smoothly, replace it.

## **THERMOSTAT TEST**

Replace the thermostat if it is open at room temperature.

To test a closed thermostat:

1. Suspend the thermostat (A) in a container of water. Do not let the thermometer (B) touch the bottom of the hot container.

**Thank you very much  
for your reading.**

**Please click here and go  
back to the website.**

**Then, you can  
download the complete  
manual instantly.**

**No waiting.**