

GROUP TAB LOCATOR

	Introduction	
0	Lubrication & Maintenance	
2	Suspension	
3	Driveline	
5	Brakes	
7	Cooling	
8A	Audio	
8B	Chime/Buzzer	
8C	Clock	
8E	Electronic Control Modules	
8F	Engine Systems	
8G	Heated Systems	
8H	Horn	
8I	Ignition Control	
8J	Instrument Cluster	
8L	Lamps	
8M	Message Systems	
8N	Power Systems	
8O	Restraints	
8P	Speed Control	
8Q	Vehicle Theft Security	
8R	Wipers/Washers	
8W	Wiring	
9	Engine	
11	Exhaust System	
13	Frame & Bumpers	
14	Fuel System	
19	Steering	
21	Transaxle	
22	Tires/Wheels	
23	Body	
24	Heating & Air Conditioning	
25	Emissions Control	
Service Manual Comment Forms		(Rear of Manual)

INTRODUCTION

TABLE OF CONTENTS

	page		page
BODY CODE PLATES		TORQUE REFERENCES	
DESCRIPTION	1	DESCRIPTION	9
FASTENER IDENTIFICATION		VEHICLE IDENTIFICATION NUMBER	
DESCRIPTION	3	DESCRIPTION	10
FASTENER USAGE		VEHICLE SAFETY CERTIFICATION LABEL	
DESCRIPTION		DESCRIPTION	11
DESCRIPTION - FASTENER USAGE	6	E-MARK LABEL	
DESCRIPTION - THREADED HOLE REPAIR ..	6	DESCRIPTION	11
INTERNATIONAL VEHICLE CONTROL & DISPLAY SYMBOLS		VECI LABEL	
DESCRIPTION	6	DESCRIPTION	11
METRIC SYSTEM		MANUFACTURE PLATE	
DESCRIPTION	7	DESCRIPTION	12

BODY CODE PLATES

DESCRIPTION

LOCATION AND DECODING

The Body Code Plate (Fig. 1) is located in the engine compartment on the battery tray front side (Fig. 2). There are seven lines of information on the body code plate. Lines 4, 5, 6, and 7 are not used to define service information. Information reads from left to right, starting with line 3 in the center of the plate to line 1 at the bottom of the plate.

BODY CODE PLATE LINE 3

DIGITS 1, 2, AND 3

Paint procedure

DIGIT 4

Open Space

DIGITS 5 THROUGH 7

Primary Paint (Refer to 23 - BODY/PAINT - SPECIFICATIONS).

DIGIT 8 AND 9

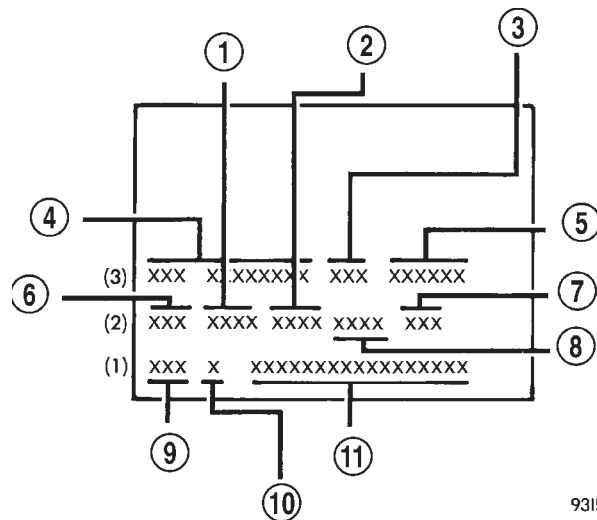
Open Space

DIGITS 10 THROUGH 12

Secondary Paint

DIGIT 13 AND 14

Open Space



93IN-8

Fig. 1 BODY CODE PLATE

- 1 - PRIMARY PAINT
- 2 - SECONDARY PAINT
- 3 - VINYL ROOF
- 4 - VEHICLE ORDER NUMBER
- 5 - CAR LINE SHELL
- 6 - PAINT PROCEDURE
- 7 - ENGINE
- 8 - TRIM
- 9 - TRANSMISSION
- 10 - MARKET
- 11 - VIN

DIGITS 15 THROUGH 18

Interior Trim Code

DIGIT 19

Open Space

BODY CODE PLATES (Continued)

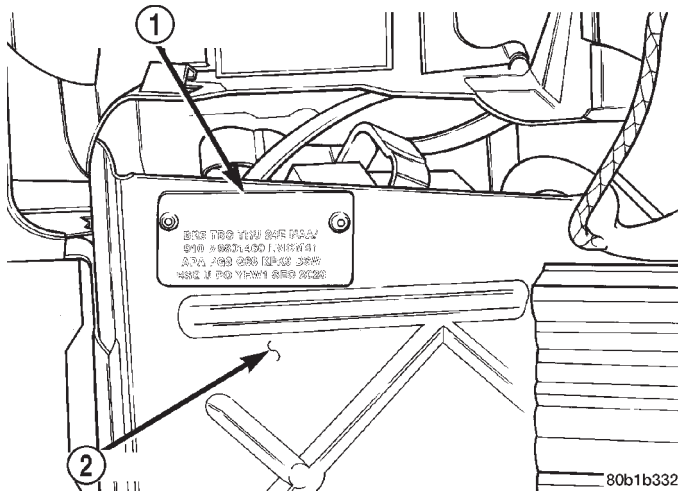


Fig. 2 BODY CODE PLATE LOCATION

- 1 - BODY COPY PLATE
2 - BATTERY TRAY

DIGITS 20, 21, AND 22

Engine Code

- EER = 2.7 L, Six Cylinder, 24 Valve, DOHC, Gasoline, Aluminum Block (MPI)
- EGG = 3.5 L, Six Cylinder, 24 Valve, SOHC, High Output, Gasoline, Aluminum Block (MPI)
- EGK = 3.5 L, Six Cylinder, 24 Valve, SOHC, High Output, Gasoline, Aluminum Block (MPI)
- EGJ = 3.5 L, Six Cylinder, 24 Valve, SOHC, High Output, Gasoline, Aluminum Block
- EGC = 3.5 L, Six Cylinder, 24 Valve, SOHC, Magnum, Gasoline, Aluminum Block

DIGIT 23

Open Space

BODY CODE PLATE - LINE 2

DIGITS 1 THROUGH 12

Vehicle Order Number

DIGITS 13, THROUGH 15

Vinyl Roof Code

DIGITS 16 AND 17

Open space

DIGITS 18 AND 19

Vehicle Shell Line

- LH

DIGITS 20

Carline

- C = Chrysler
- D = Dodge
- Y = Chrysler

DIGIT 21

Price Class

- E = Economy
- H = High Line
- L = Low Line
- M = Mid Line
- P = Premium
- S = Special/Sport
- X = Performance Image

DIGITS 22 AND 23

Body Type

- 41 = Four Door Sedan

BODY CODE PLATE LINE 1

DIGITS 1, 2, AND 3

Transaxle Codes

- DGX = 42LE 4-Speed Electronic Automatic Transaxle

DIGIT 4

Open Space

DIGIT 5

Market Code

- C = Canada
- B = International
- M = Mexico
- U = United States

DIGIT 6

Open Space

DIGITS 7 THROUGH 23

Vehicle Identification Number

- (Refer to VEHICLE DATA/VEHICLE INFORMATION/VEHICLE IDENTIFICATION NUMBER - DESCRIPTION) for proper breakdown of VIN code.

IF TWO BODY CODE PLATES ARE REQUIRED

The last code shown on either plate will be followed by END. When two plates are required, the last code space on the first plate will indicate (CTD)

When a second plate is required, the first four spaces of each line will not be used due to overlap of the plates.

**Thank you very much
for your reading.**

**Please click here and go
back to the website.**

**Then, you can
download the complete
manual instantly.**

No waiting.