

- (36) Automatic Transmission Fluid Temperature Sensor
- (62) Automatic Transmission Output Speed Sensor
- (73) Automatic Transmission Input Speed Sensor
- (75) Park/Neutral Position Switch
- (300) 1-2, 2-3, Reverse, Shift Solenoid Valve Assembly (S3)
- (303) 3-4, 4-5 Shift Solenoid Valve Assembly (S4)
- (305) Reverse Shift Valve Solenoid (S5)
- (308) 2-3, 3-4 Shift Solenoid Valve Assembly (S2)
- (310) Reverse, 1st Shift Solenoid Valve Assembly (S1)

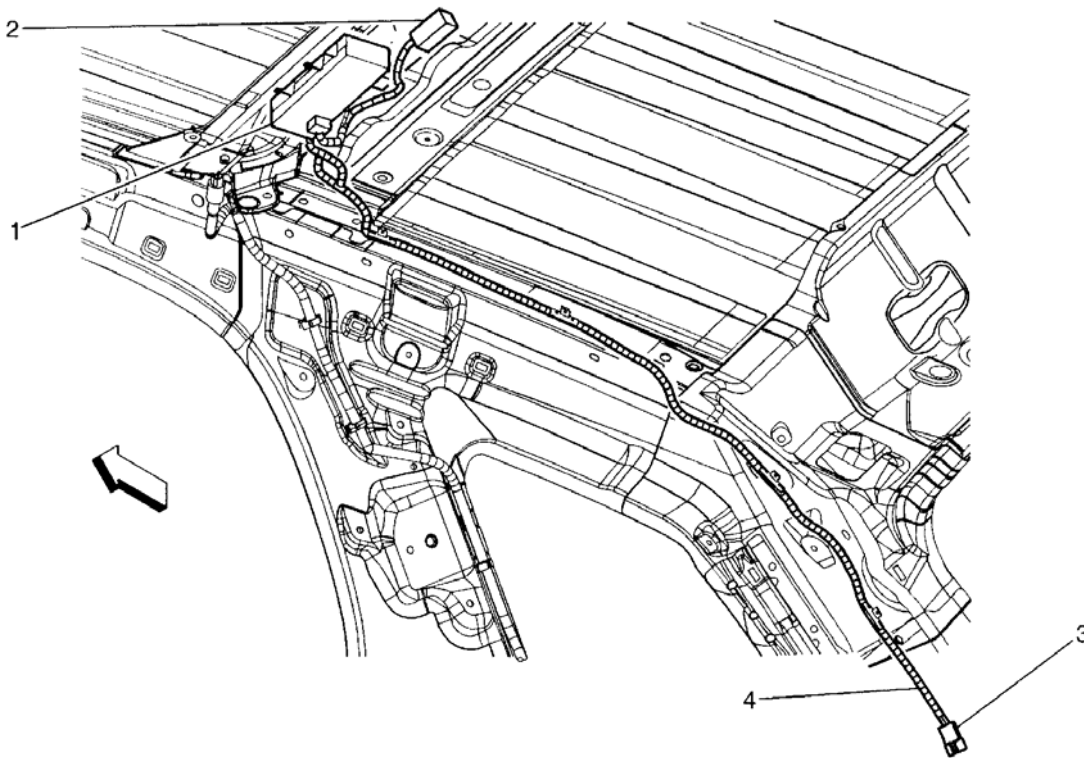
G00359840

**Fig. 1: Automatic Transmission Electronic Components Overview (1 Of 2)**  
**Courtesy of GENERAL MOTORS CORP.**

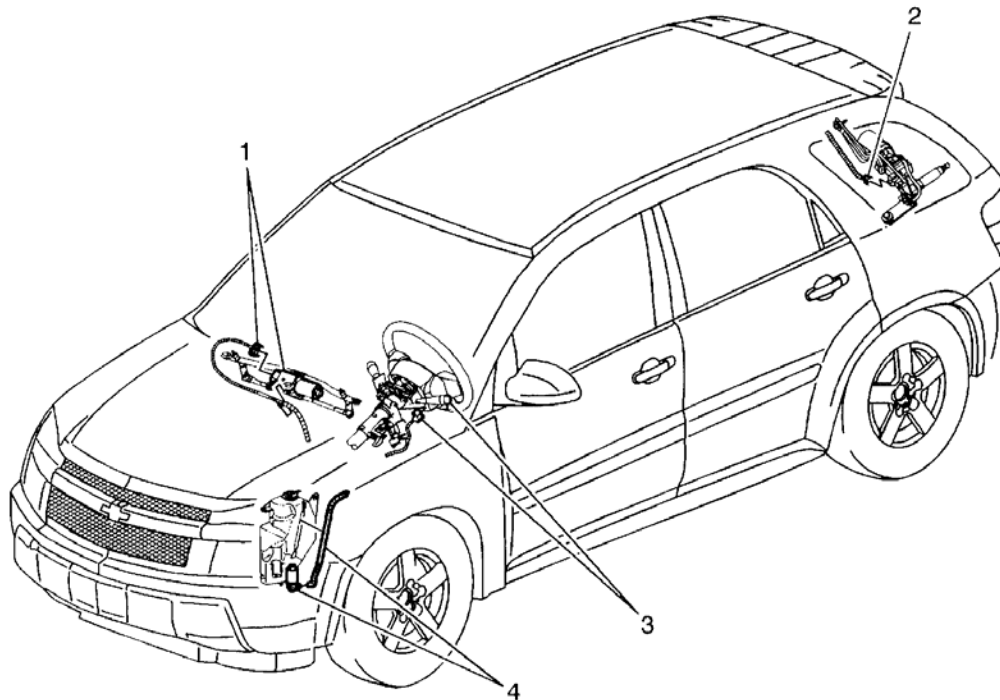
- (316) Line Pressure Control Solenoid Valve Assembly (SLT)
- (339) TCC Lock Up Pressure Control Solenoid Valve Assembly (SLU)
- (340) Shift Pressure Control Solenoid Valve Assembly (SLS)

G00359841

**Fig. 2: Automatic Transmission Electronic Components Overview (2 Of 2)**  
Courtesy of GENERAL MOTORS CORP.



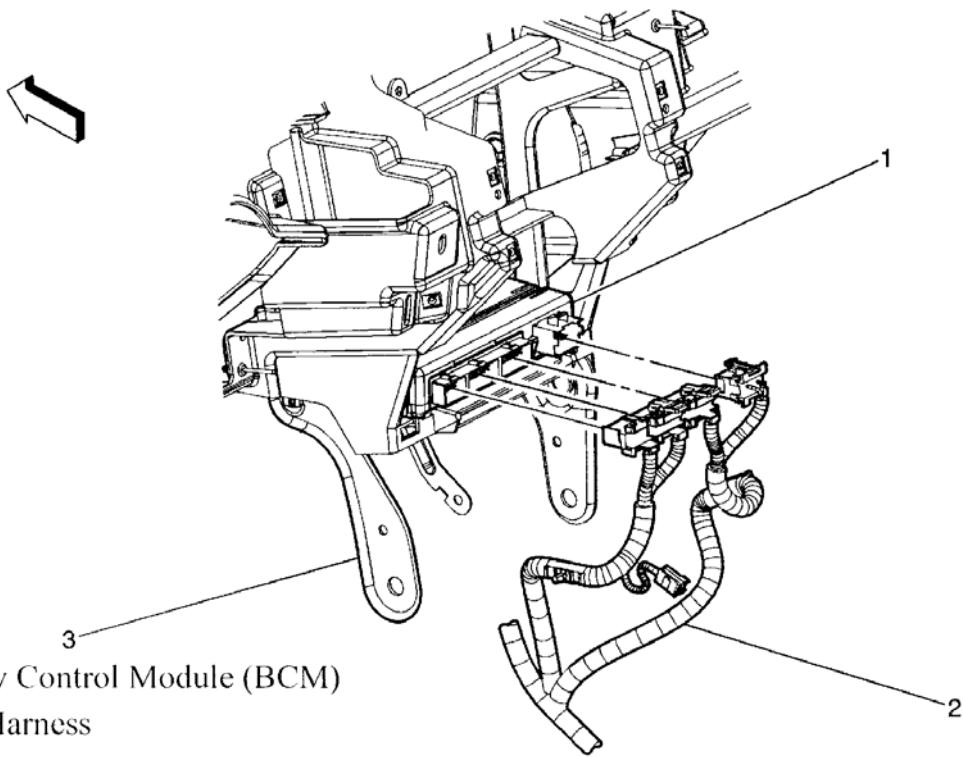
**Fig. 3: Under Right Side Of Headliner**  
Courtesy of GENERAL MOTORS CORP.



- (1) Windshield Wiper/Washer Motor
- (2) Wiper Motor - Rear
- (3) Windshield Wiper/Washer Switch
- (4) Windshield Washer Fluid Pump

G00359563

**Fig. 4: Vehicle Overview**  
**Courtesy of GENERAL MOTORS CORP.**



(1) Body Control Module (BCM)

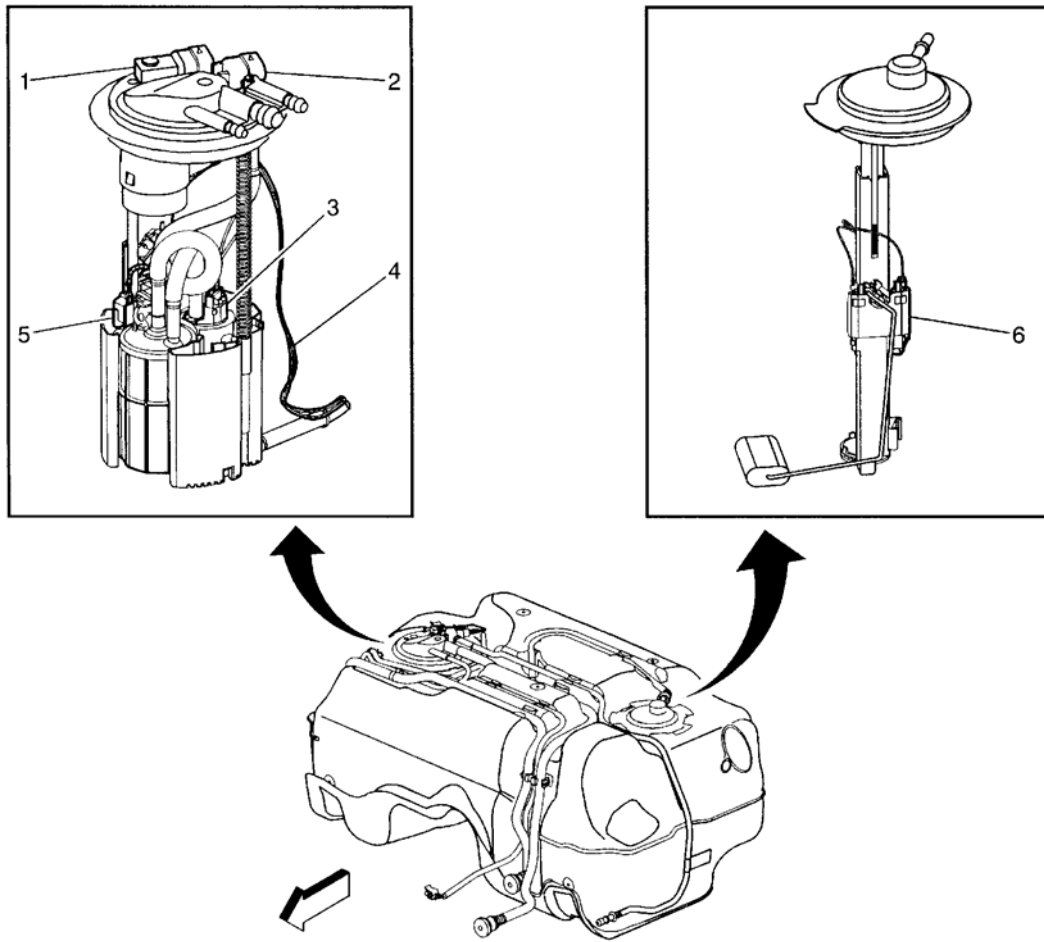
(2) I/P Harness

(3) Center I/P Support

G00359576

**Fig. 5: Center Of Dash**

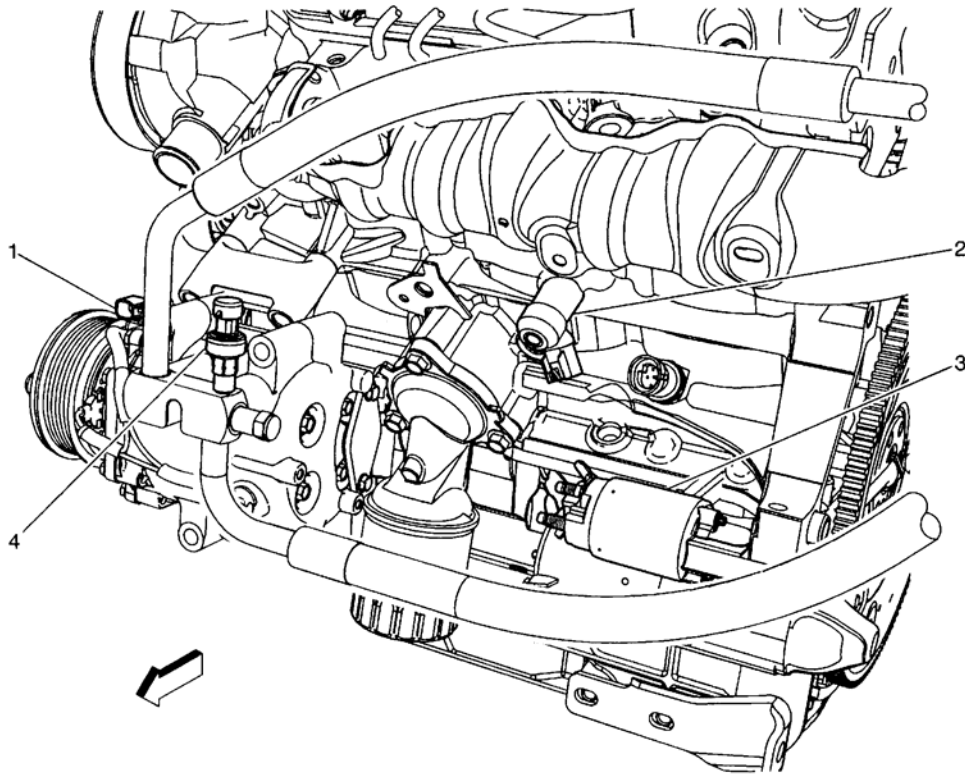
**Courtesy of GENERAL MOTORS CORP.**



- (1) Fuel Tank Pressure (FTP) Sensor Connector
- (2) Fuel Pump and Sender Assembly Connector - Primary
- (3) Fuel Pump
- (4) Lead - Primary Sender to Secondary Sender Assmbly
- (5) Fuel Level Sensor
- (6) Fuel Pump and Sender Assembly Connector - Secondary

G00359586

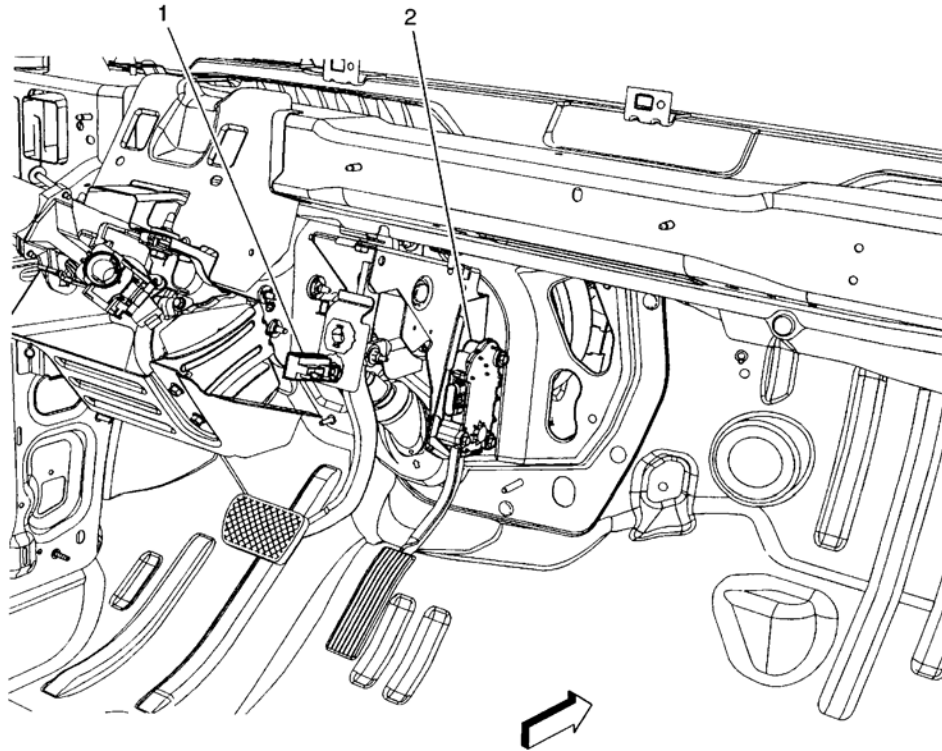
**Fig. 6: Fuel Tank**  
**Courtesy of GENERAL MOTORS CORP.**



- (1) A/C Compressor Clutch
- (2) Knock Sensor (KS) 2
- (3) Starter
- (4) A/C Refrigerant Pressure Sensor

G00441047

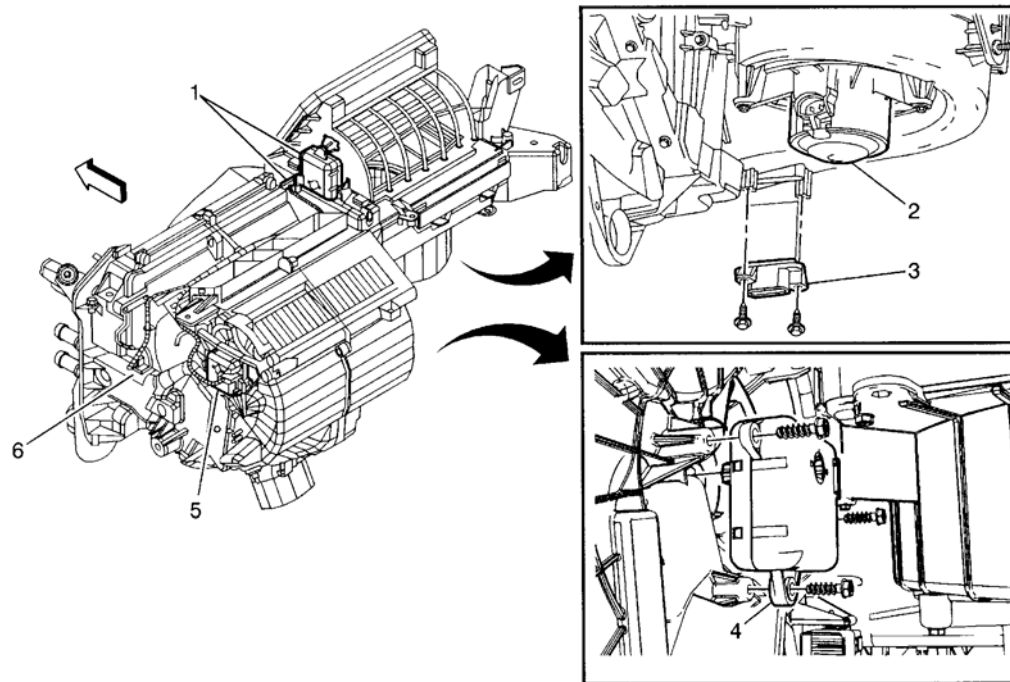
**Fig. 7: Front Of Engine (LNJ)**  
**Courtesy of GENERAL MOTORS CORP.**



- (1) Brake Pedal Position Sensor
- (2) Accelerator Pedal Position (APP) Sensor

G00441048

**Fig. 8: Pedal Assemblies**  
**Courtesy of GENERAL MOTORS CORP.**

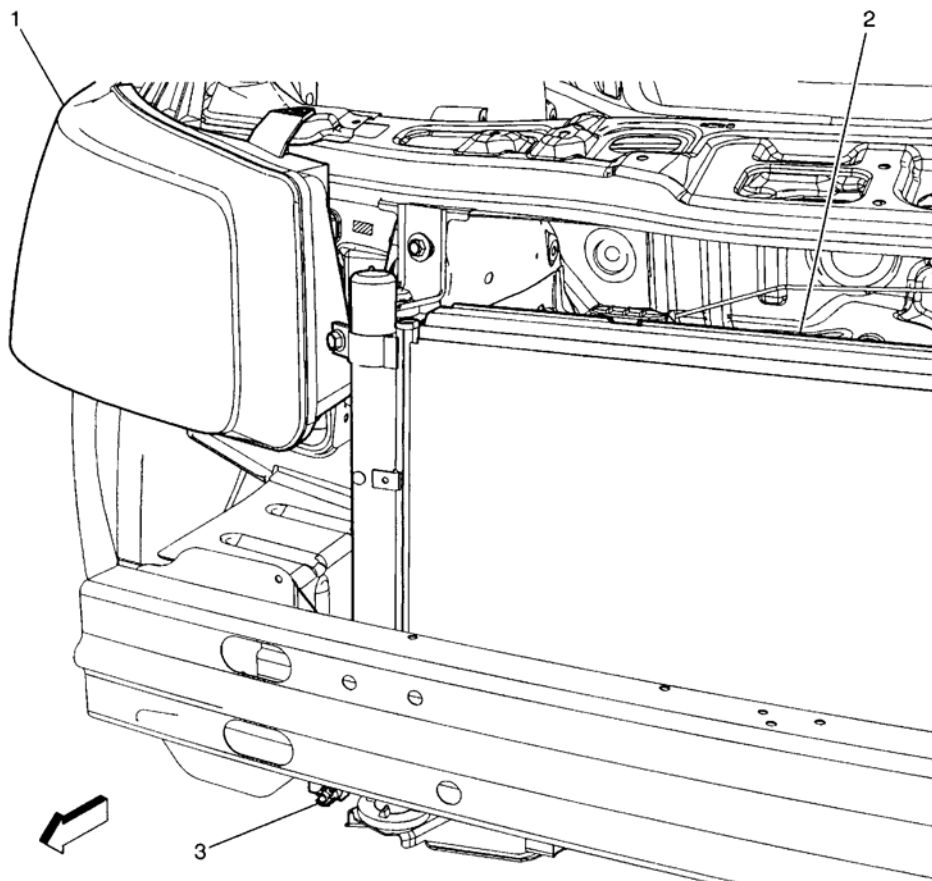


- (1) Recirculation Actuator
- (2) HVAC Blower Motor
- (3) Blower Motor Control Processor
- (4) Air Temperature Actuator
- (5) Mode Actuator
- (6) Evaporator Temperature Sensor

G00441049

**Fig. 9: HVAC Module Assembly**  
**Courtesy of GENERAL MOTORS CORP.**





- (1) RF Headlamp
- (2) Radiator
- (3) Ambient Air Temperature Sensor (DH3/DF5)

G00441050

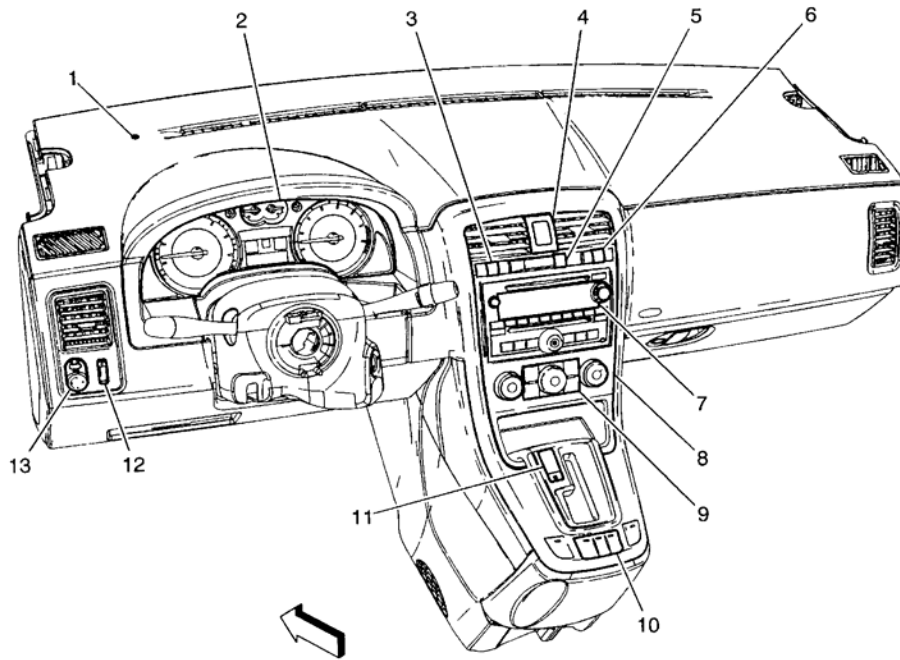
**Fig. 10: Below Front Impact Bar**  
**Courtesy of GENERAL MOTORS CORP.**

**Thank you very much  
for your reading.**

**Please click here and go  
back to the website.**

**Then, you can  
download the complete  
manual instantly.**

**No waiting.**



- (1) Ambient Light Sensor
- (2) Instrument Panel Cluster (IPC)
- (3) Driver Information Center (DIC) Switch
- (4) Hazard Switch
- (5) Inflatable Restraint Passenger Air Bag ON/OFF Indicator
- (6) Rear Wiper/Washer Switch/Fog Lamp Switch (T96)
- (7) Radio
- (8) HVAC Control Module
- (9) Heated Seat Switch - Driver, Heated Seat Switch - Front Passenger
- (10) Power Window Switch - Main
- (11) Traction Control Switch (TCS)
- (12) Dimmer Switch
- (13) Outside Rearview Mirror Switch

G00441051

**Fig. 11: Instrument Panel**  
**Courtesy of GENERAL MOTORS CORP.**