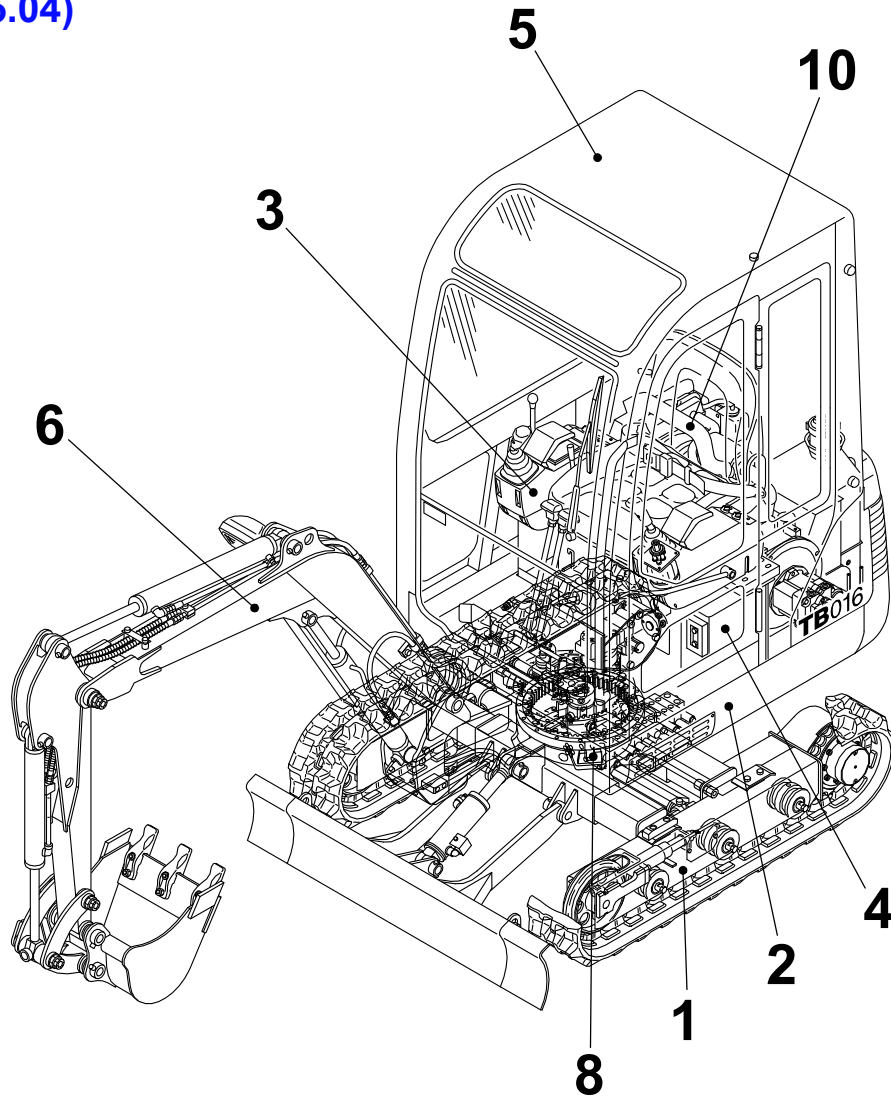


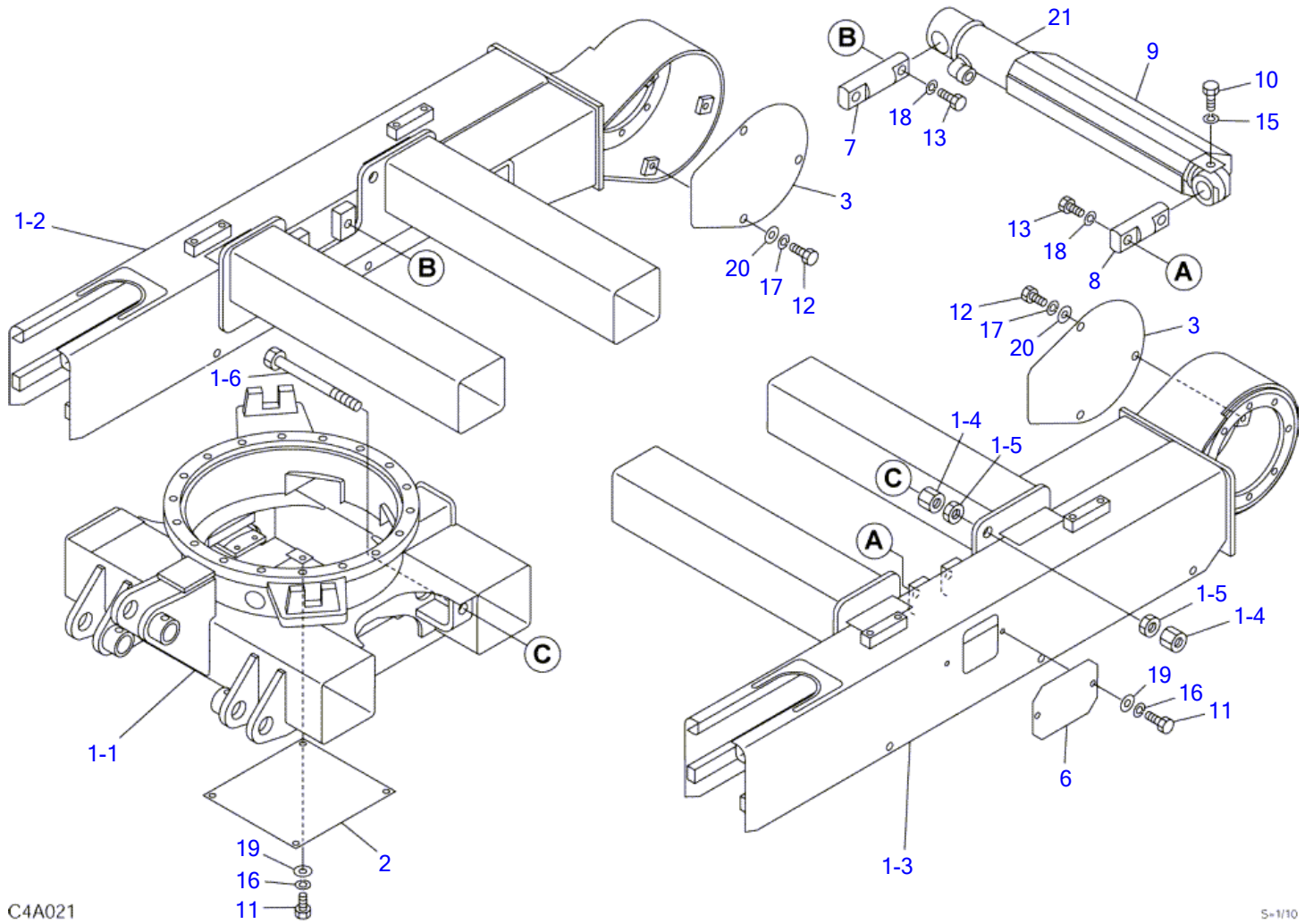
TB016

Book No. BD4Z001

Serial No. 11600003-11609631
(2005.04)



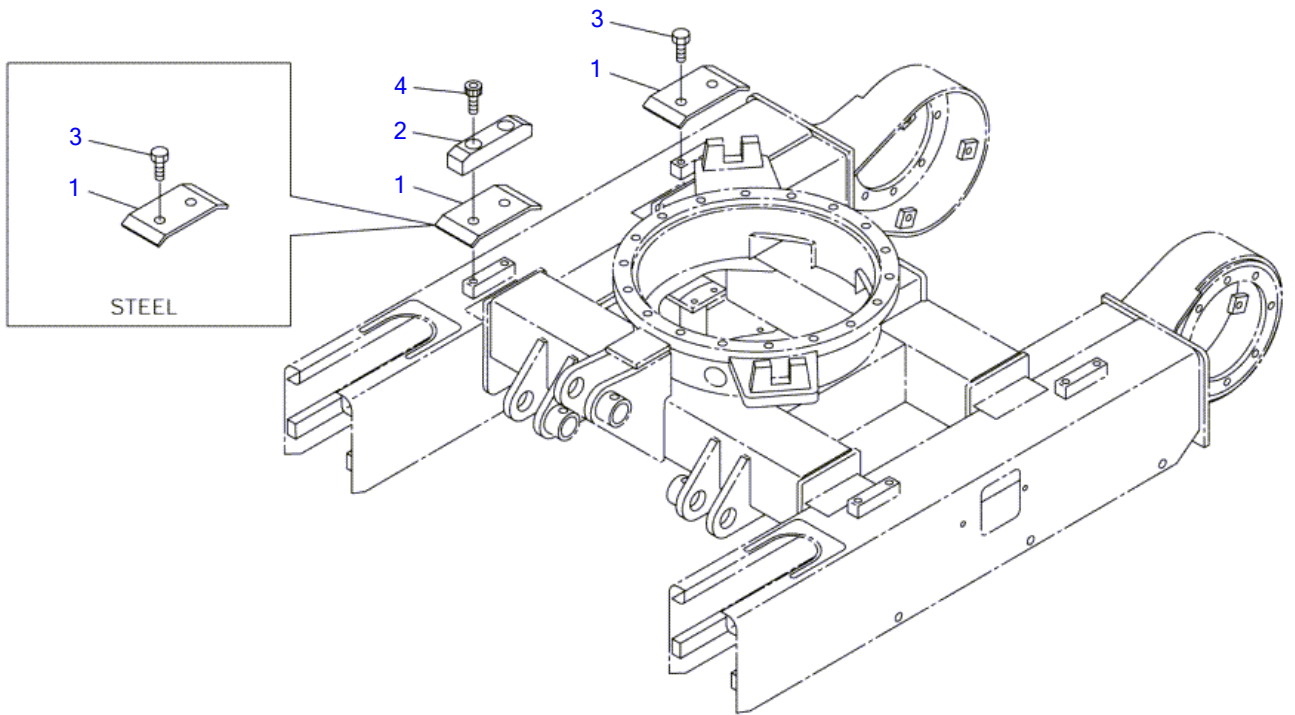
TAKEUCHI



C4A021

S-1/10

LOWER FRAME						
Item	Part number	Description	Q'ty	Chan.	Serial No.	Serv. Remarks
		FRAME ASSY, lower				X03310-34000-1
1	X *****	FRAME	1			
1-1	X *****	· BODY	1			
1-2	X *****	· FRAME (R.H.)	1			
1-3	X *****	· FRAME (L.H.)	1			
1-4	1134821620	· NUT	4			
1-5	1130140016	· NUT	4			
1-6	0421013600	· BOLT	2			
2	0331010400	PLATE	1		11600003~11602089	
	0331033110	PLATE	1		11602090~	
3	0331021003	COVER	2			
6	0331018600	COVER	2			
7	0331010600	PIN	1			
8	0331010700	PIN	1			
9	0331010800	COVER	1		11600003~11600211	
	0331026010	COVER	1	(H)	11600212~	
10	1100040616	BOLT	1			
11	1100040816	BOLT	8			
12	1100041020	BOLT	6			
13	1101041440	BOLT	4			
15	1140020006	WASHER, spring	1			
16	1140020008	WASHER, spring	8			
17	1140020010	WASHER, spring	6			
18	1140020014	WASHER, spring	4			
19	1141110008	WASHER	8			
20	1141110010	WASHER	6			
21	1900072300	CYLINDER, spanner	1			
	C4a022					

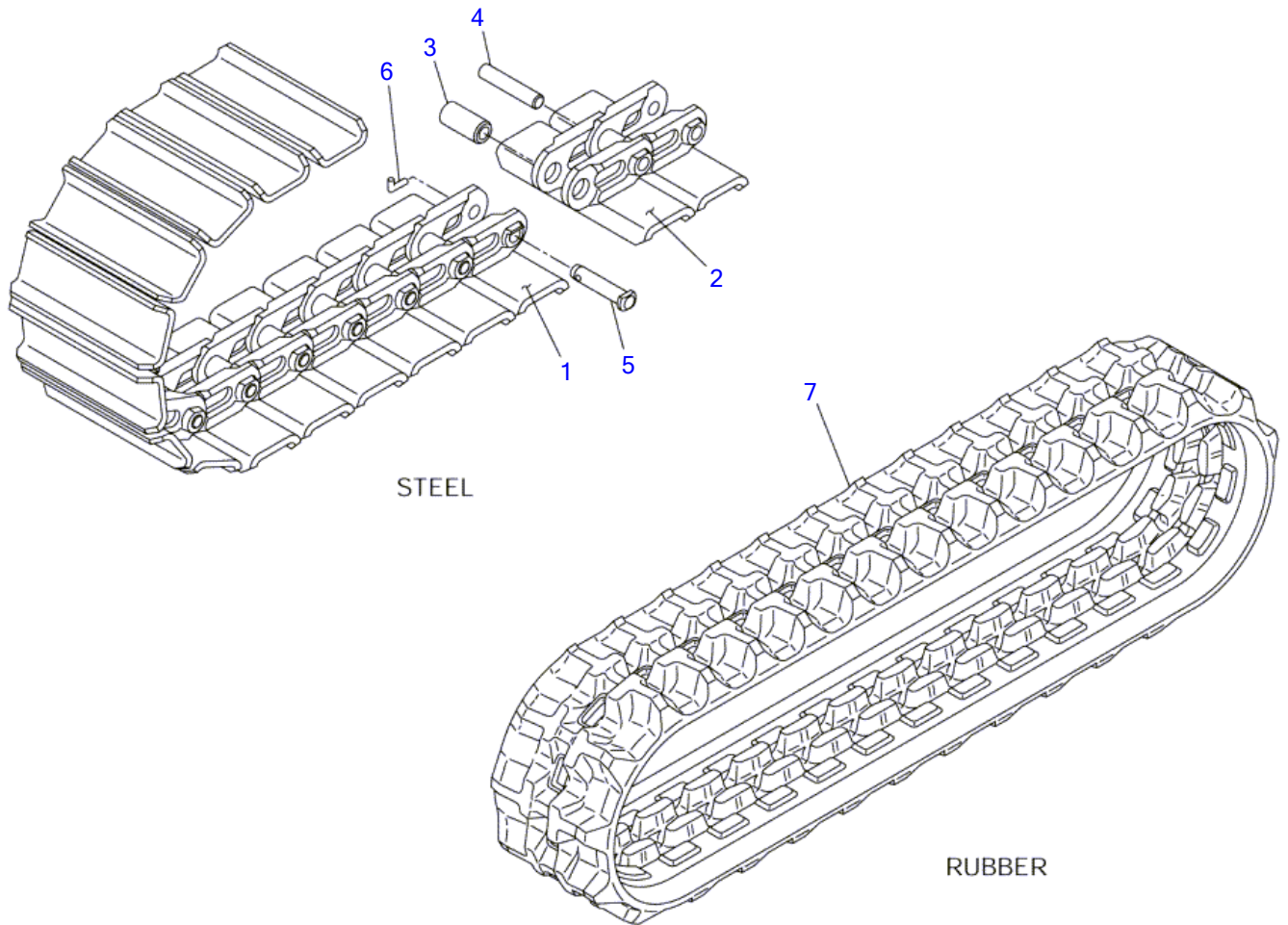


C4A200

S-1/10

SHOE SLIDE

Item	Part number	Description	Q'ty	Chan.	Serial No.	Serv.	Remarks
		SHOE SLIDE ASSY (rubber)					X03312-02000-0
		SHOE SLIDE ASSY (steel)					X03312-02100-0
1	0421013800	SLIDE, shoe	4				
2	0331011200	GUIDE	2				rubber
3	1100041020	BOLT	4				rubber
	1100041020	BOLT	8				steel
4	1110041030	SCREW, cap	4				
	C4a200						

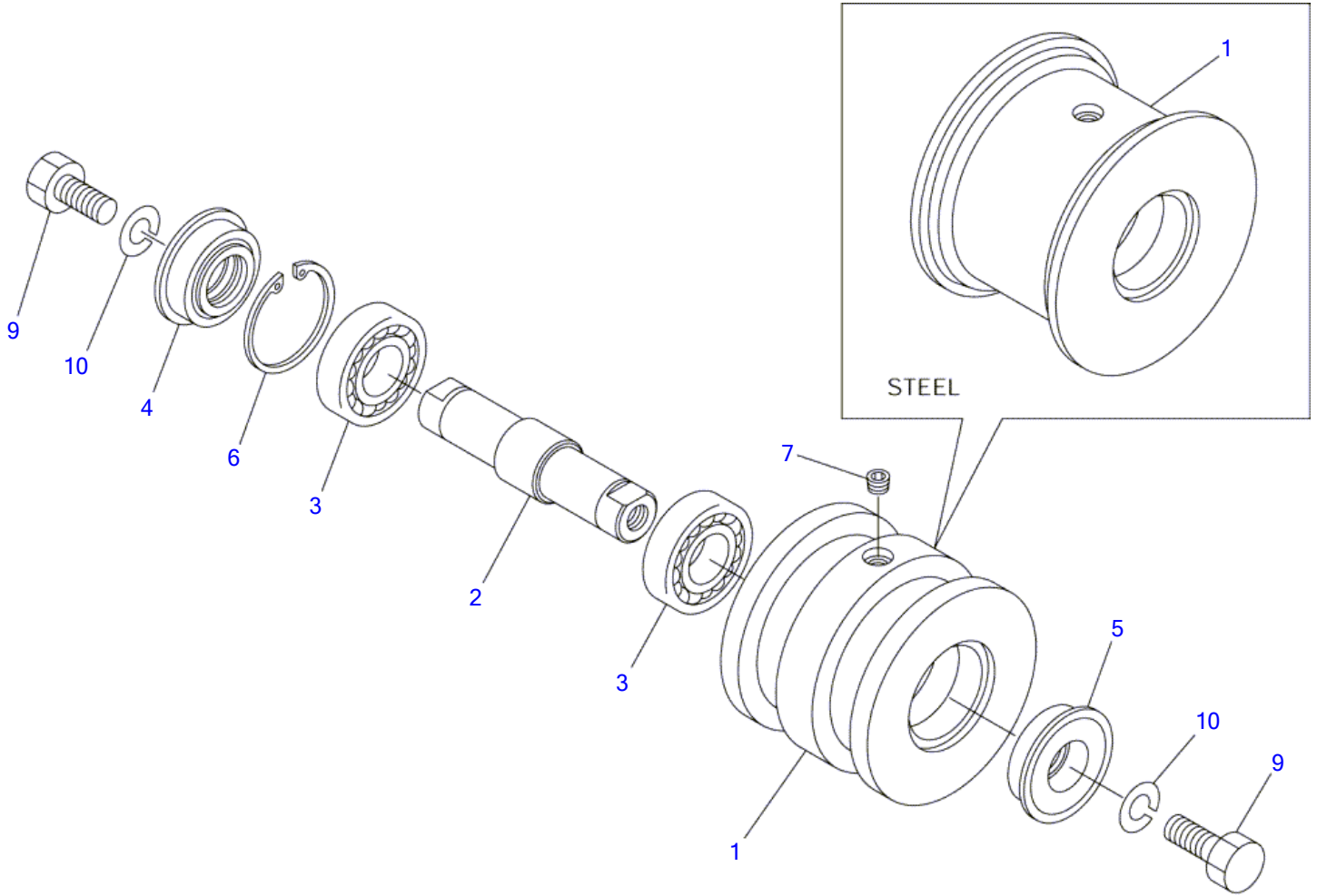


C4A030

S-1/8, 1/10

CRAWLER BELT

Item	Part number	Description	Q'ty	Chan.	Serial No.	Serv.	Remarks
0	1914050400	BELT, steel crawler	2				X19140-50400-0
1	1914050214	▪ PLATE ASSY, master	1				
2	1914050213	▪ PLATE ASSY	34				
3	1914050005	▪ BUSHING	35				
4	1914050006	▪ PIN, track	34				
5	1914050007	▪ PIN, master	1				
6	1914050008	▪ PIN, coter	1				
7	1914049500	BELT, rubber crawler	2		11600003~11600685		
	1914049900	BELT, rubber crawler	2	(H)	11600686~11601291		short pitch
	1914080500	BELT, rubber crawler	2	(H)	11601292~		short pitch
	C4a031D						

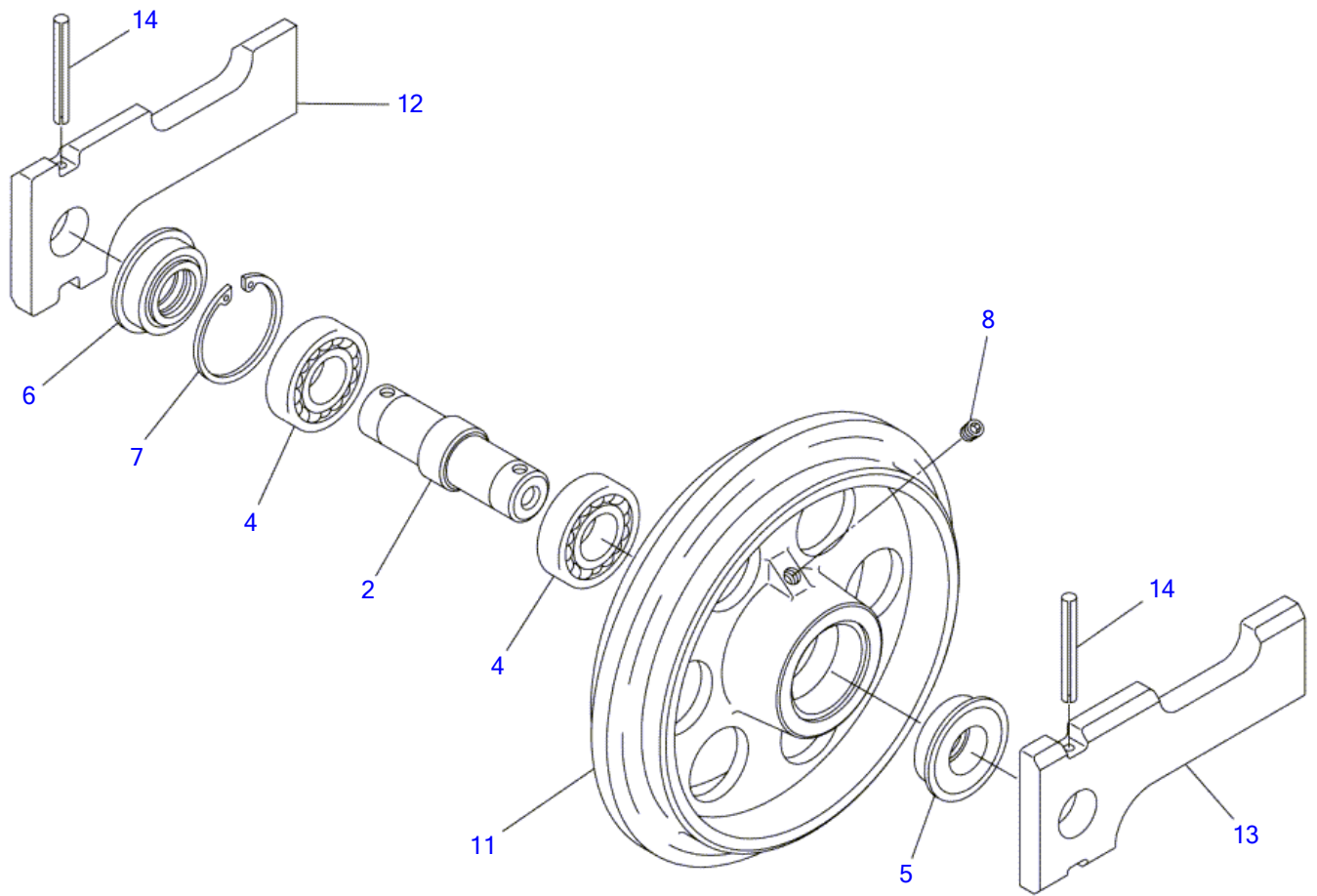


C4A040

S-1/3

TRACK ROLLER

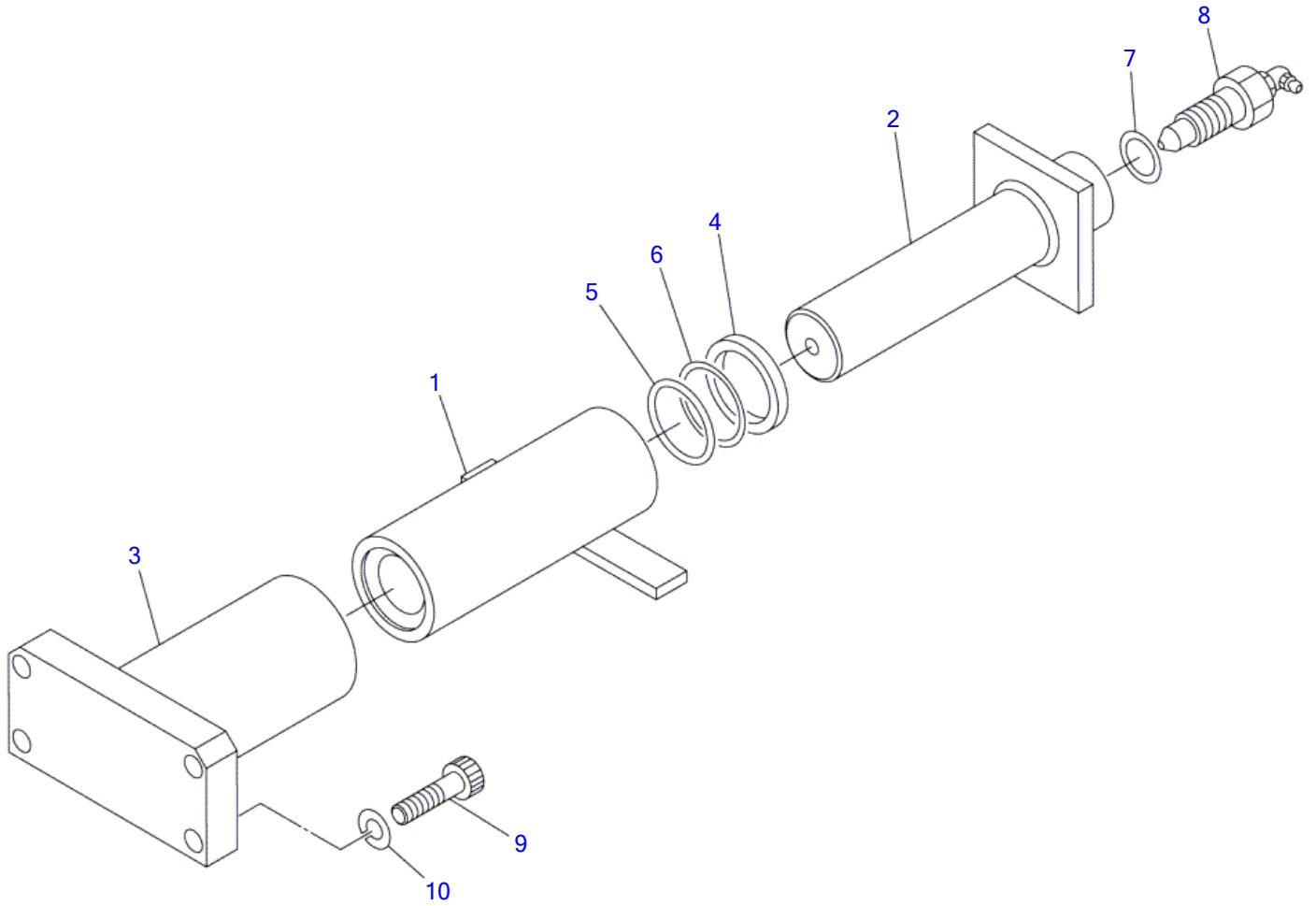
Item	Part number	Description	Q'ty	Chan.	Serial No.	Serv.	Remarks
		ROLLER ASSY, track (rubber crawler)					X03313-06000-1
		ROLLER ASSY, track (steel crawler)					X03313-07000-1
0-1	0331306100	ROLLER SUB ASSY	6				rubber crawler
	0331307100	ROLLER SUB ASSY	6				steel crawler
1	0331306200	• SHELL	1				rubber crawler
	0331307200	• SHELL	1				steel crawler
2	0421301300	• SHAFT	1				
3	1300006205	• BEARING	2				
4	1431202552	• SEAL	1				
5	1431202547	• SEAL	1				
6	1221000052	• RING, snap	1				
7	1501810001	• PLUG	1				
9	1101041225	BOLT	12				
10	1140010012	WASHER, spring	12				
	C4a042						



C4A050

S-1/4

FRONT IDLER						
Item	Part number	Description	Q'ty	Chan.	Serial No.	Serv. Remarks
		IDLER ASSY, front				X03314-04000-1
0-1	0421401200	IDLER SUB ASSY	2			
2	0421400200	▪ SHAFT	1			
4	1300006206	▪ BEARING	2			
5	1431203055	▪ SEAL	1			
6	1431203062	▪ SEAL	1			
7	1221000062	▪ RING, snap	1			
8	1501810001	▪ PLUG	1			
11	0421401100	▪ IDLER	1			
12	0331404600	YOKE (R.H.)	2			
13	0331404700	YOKE (L.H.)	2			
14	1213000670	PIN, spring	4			
	C4a052					

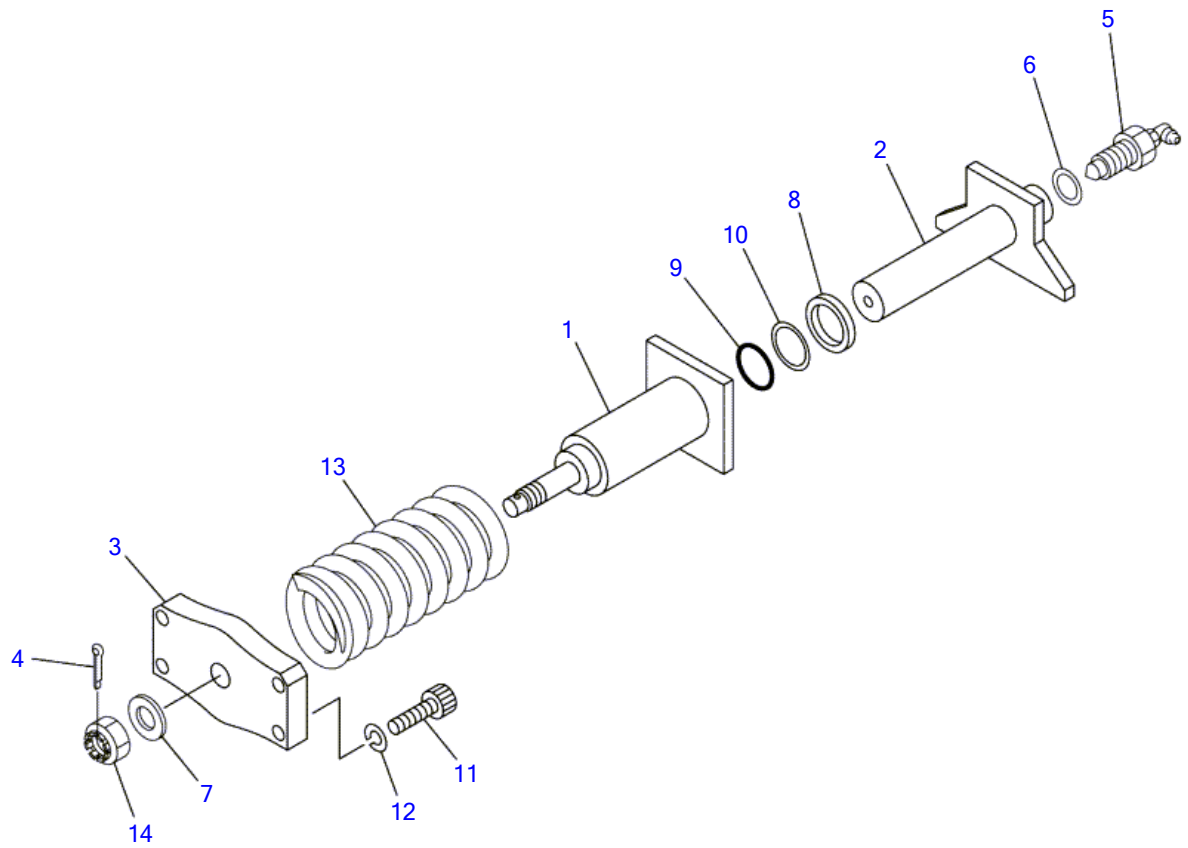


C4A060

S-1/3

TRACK ADJUSTER (11600003-11602089)

Item	Part number	Description	Q'ty	Chan.	Serial No.	Serv.	Remarks
0-1	0331506500	ADJUSTER ASSY, track	2				X03315-06500-1
1	0331506100	· CYLINDER, grease	1				
2	0331506200	· PISTON	1		11600003~11600013		
	0331506600	· PISTON	1	(H)	11600014~		
3	0331505300	· PLATE	1		11600003~11600013		
	0331506700	· PLATE	1	(H)	11600014~		
4	1400502033	· SEAL, oil	1				
5	1422010350	· O-RING	1				
6	1421020350	· RING, back-up	1				
7	1541201616	· WASHER	1				
8	1541301602	· VALVE ASSY, check	1				
9	1110041035	SCREW, cap	8				
10	1140420010	WASHER, spring	8				
	C4a062D						

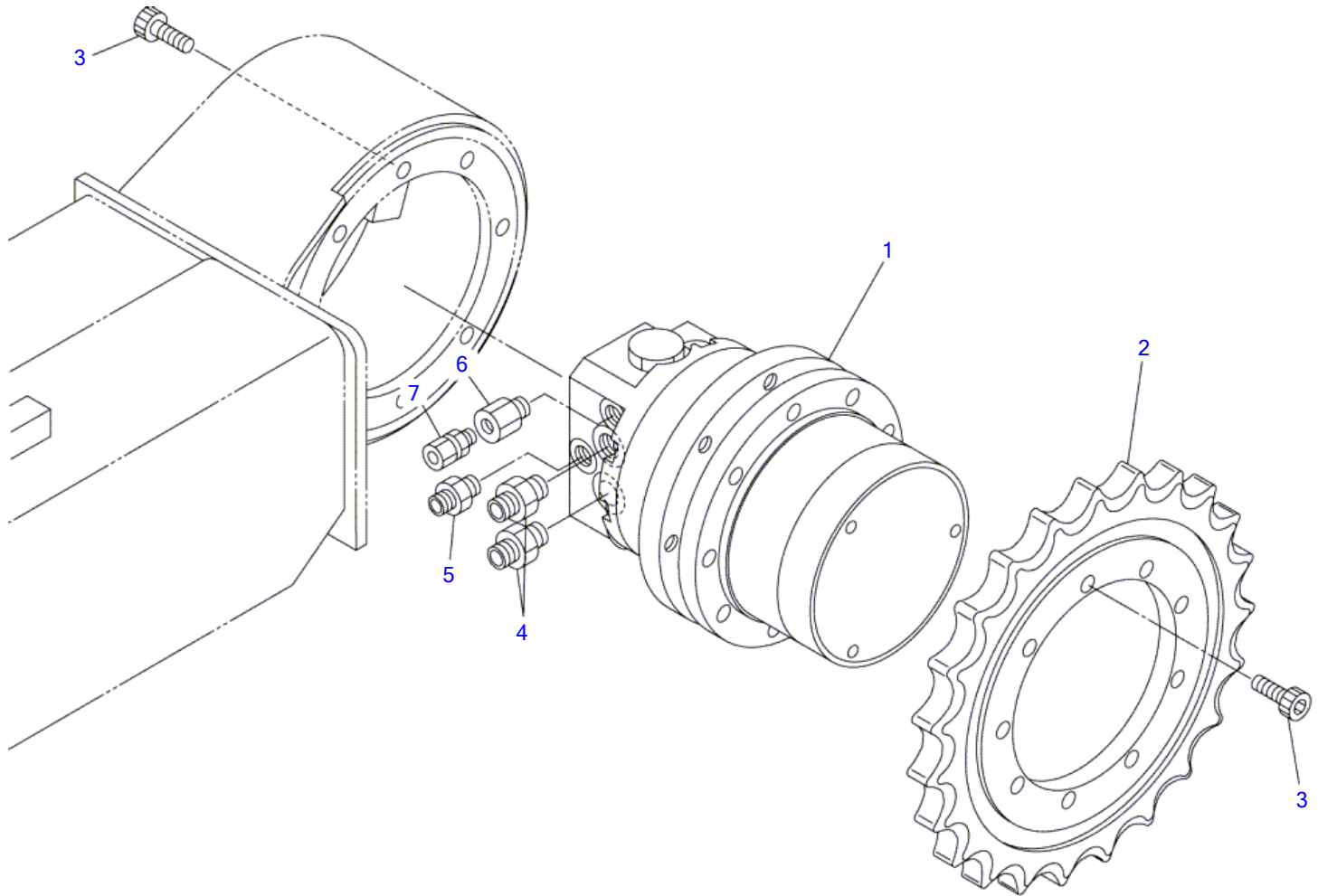


C4A150

S-1/5

TRACK ADJUSTER (11602090-)

Item	Part number	Description	Q'ty	Chan.	Serial No.	Serv.	Remarks
0-1	0331508500	ADJUSTER ASSY, track (R)	1				X03315-08500-4
	0331508900	ADJUSTER ASSY, track (L)	1				X03315-08900-4
1	0331508600	· CYLINDER, grease	1				
2	0331508700	· PISTON	1				
3	0331508030	· PLATE	1				
4	1210010440	· PIN, split	1				
5	1541301602	· VALVE ASSY, check	1				
6	1541201616	· WASHER	1				
7	1141540016	· WASHER	1				
8	1400401654	· SEAL, oil	1				
9	1422010300	· O-RING	1				
10	1421020300	· RING, back-up	1				
11	1110041035	SCREW, cap	8				
12	1140420010	WASHER, spring	8				
13	0007000018	SPRING	2				
14	1132080016	NUT	2				
	C4a152						

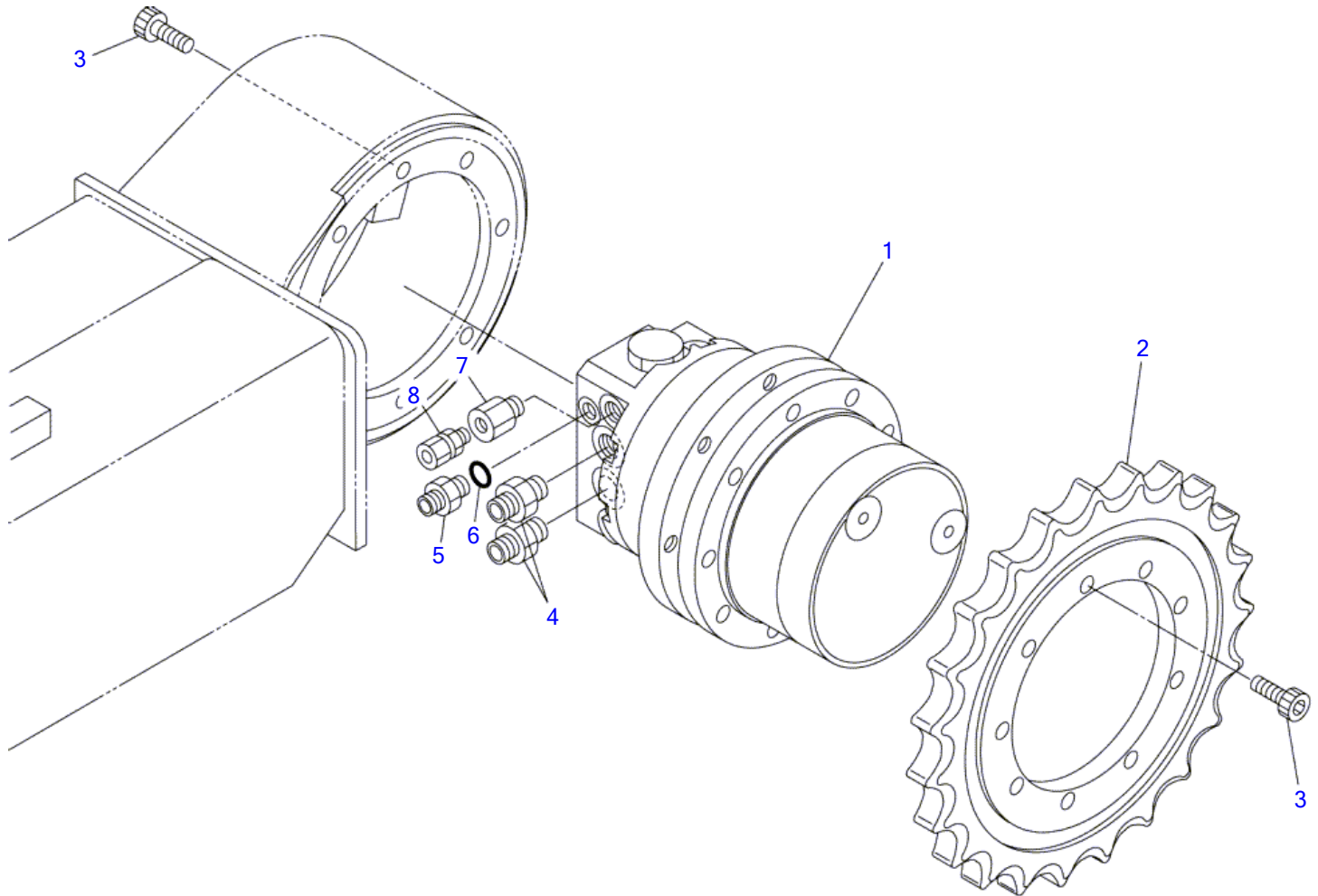


C4A081

S=1/4

TRAVEL DEVICE (11600003-11602089)

Item	Part number	Description	Q'ty	Chan.	Serial No.	Serv.	Remarks
		MOTOR ASSY, travel					X03316-17000-1
1	1903118100	MOTOR, travel	2				
2	0421600100	SPROCKET	2				
3	1110041025	SCREW, cap	34				
4	1515600576	ADAPTOR	4				
	1420010140	• O-RING	1			M	
5	1515600200	ADAPTOR	2				
	1420010110	• O-RING	1			M	
6	0007211014	BUSHING	2				
7	1532520801	CONNECTOR	2				
	C4a081						

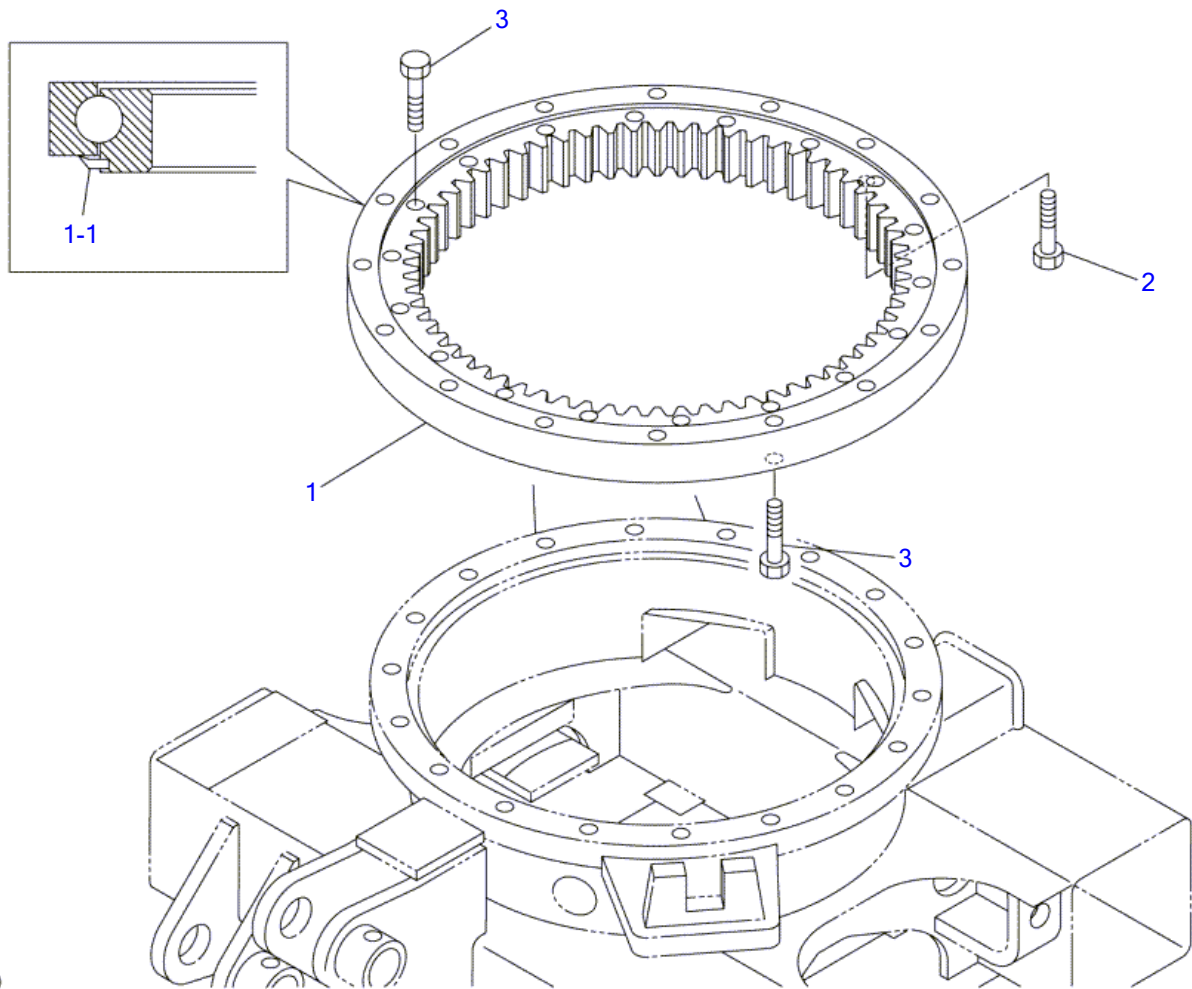


C4A160

S-1/4

TRAVEL DEVICE (11602090-)

Item	Part number	Description	Q'ty	Chan.	Serial No.	Serv.	Remarks
		MOTOR ASSY, travel					X03316-19500-0
1	1903121400	MOTOR, travel	2				
2	0421600100	SPROCKET	2				
3	1110041022	SCREW, cap	34				
4	1515600576	ADAPTOR	4				
	1420010140	· O-RING	1			M	
5	0007203059	NIPPLE	2				
6	1420010080	O-RING	2				
7	0007211014	BUSHING	2				
8	1532520801	CONNECTOR	2				
	C4a160D						

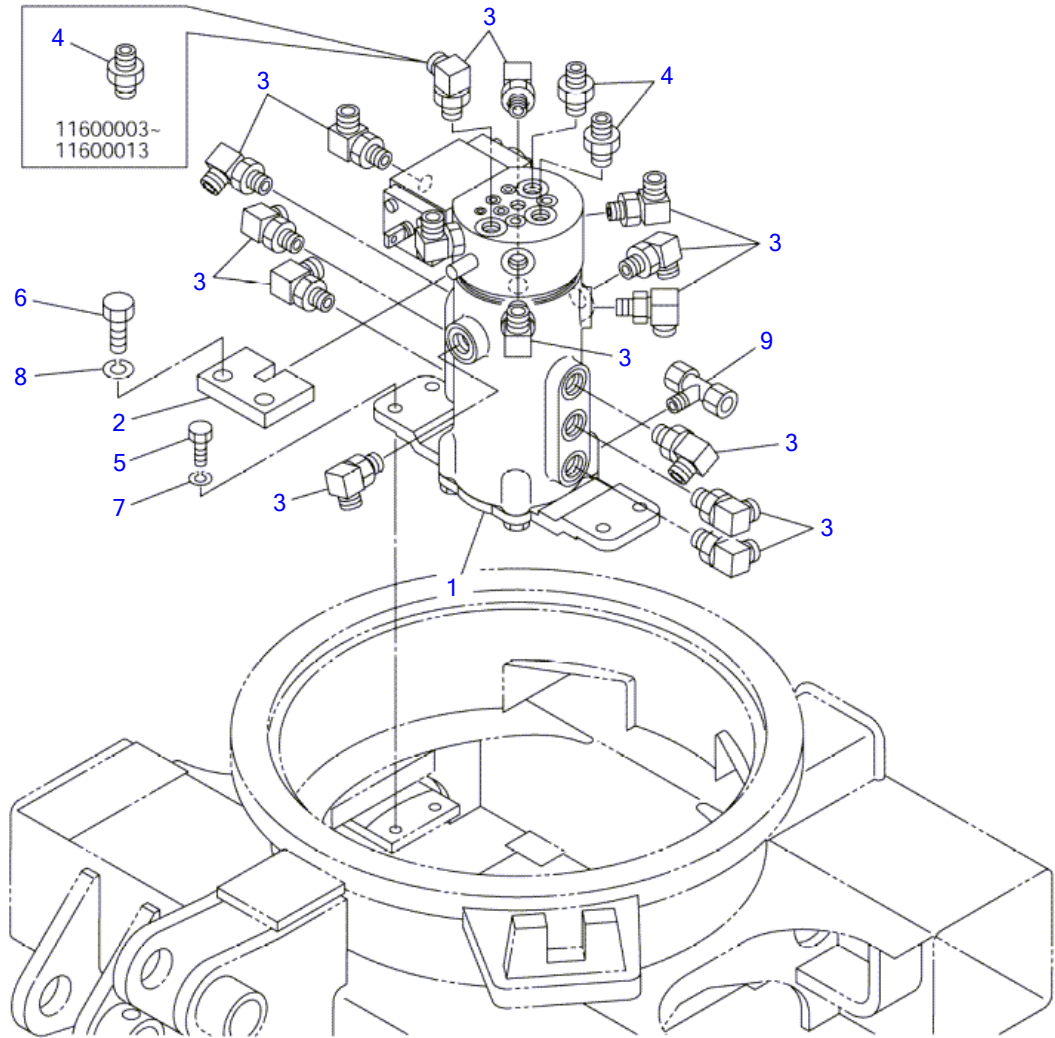


C4A090

S=1/5

SLEW BEARING

Item	Part number	Description	Q'ty	Chan.	Serial No.	Serv.	Remarks
		BEARING ASSY, slew					X03320-02000-1
1	1913003950	BEARING	1				
1-1	1913003959	• SEAL	1				
2	0422001100	BOLT	1				
3	1106251250	BOLT	33				
	C4a092						

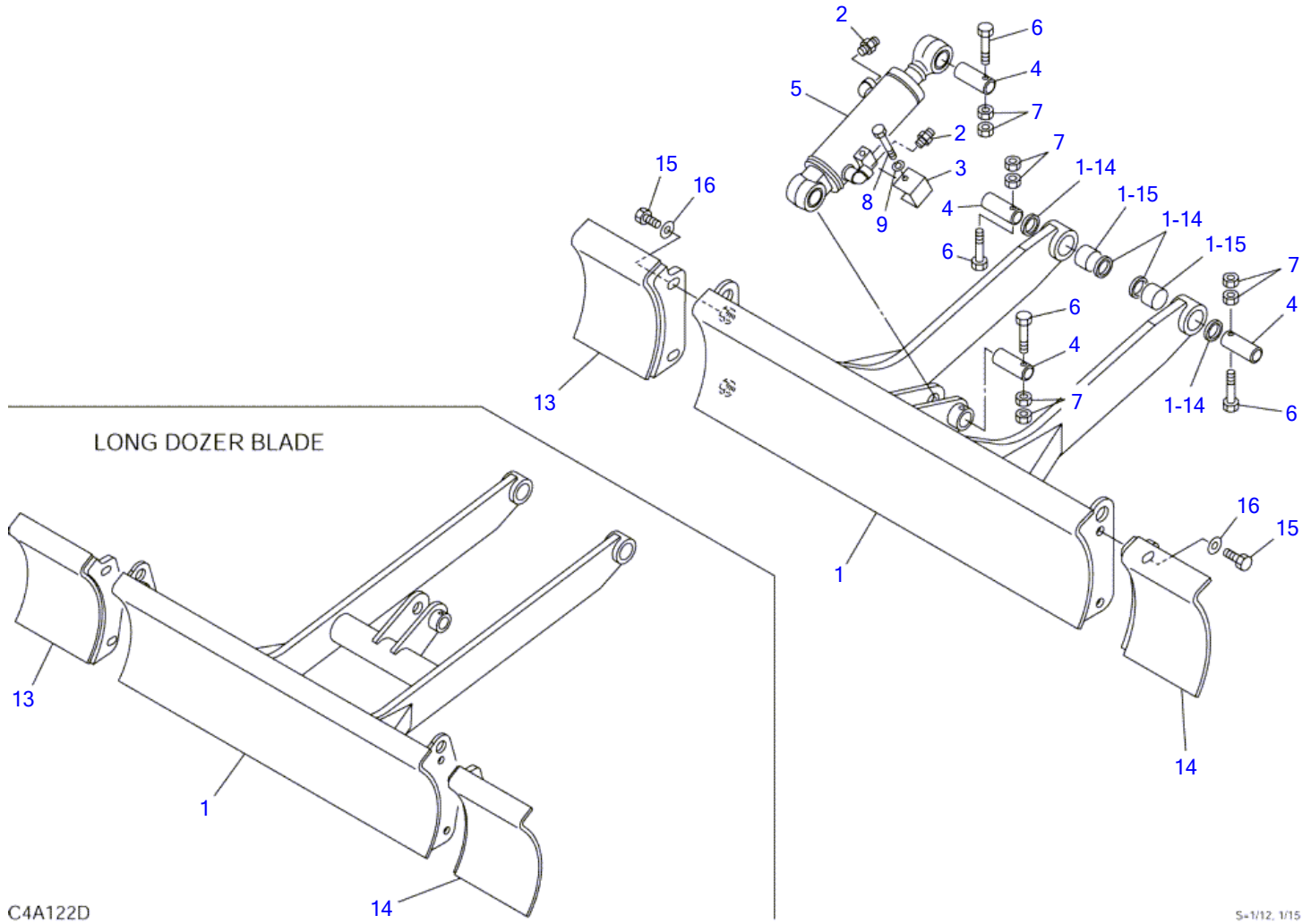


C4A111

S-115

SWIVEL JOINT & ACCESSORIES

Item	Part number	Description	Q'ty	Chan.	Serial No.	Serv.	Remarks
		JOINT ASSY, swivel					X03321-14000-3
1	1904007600	JOINT, swivel	1				
2	0422110100	COLLAR	1				
3	1515012040	ELBOW	14		11600003~11600013		
	1420010110	• O-RING	1			M	
	1515012040	ELBOW	15		11600014~		
	1420010110	• O-RING	1			M	
4	1515600200	ADAPTOR	3		11600003~11600013		
	1420010110	• O-RING	1			M	
	1515600200	ADAPTOR	2		11600014~		
	1420010110	• O-RING	1			M	
5	1100040820	BOLT	4				
6	1101041235	BOLT	2				
7	1140020008	WASHER, spring	4				
8	1140020012	WASHER, spring	2				
9	1532720801	TEE	1				
	C4a112						



BUY NOW

**Then Instant Download
the Complete Manual
Thank you very much!**