

PARTS CATALOG

Product Line

Model LM1060

**CATALOGO PARTI
DI RICAMBIO**

**CATALOGUE DES PIECES
DETACHEES**

ERSATZTEILKATALOG

**CATÁLOGO DES PIEZAS
DE REPUESTO**

**CATÁLOGO DE PEÇAS
SOBRESSALENTE**

ONDERDELENLIJST

RESERVEDELSKATALOG

CATALOGUE n. 87704007
1st Edition 02 - 2008

 **NEW HOLLAND**

TABLE OF CONTENTS

PLACEHOLDER		DELETE WHEN OTHER FIGURES ARE LINKED TO MODEL
0.02.1	01	ENGINE - VERSION (01)
0.04.0	01	CRANKCASE - VERSION (01)
0.04.0	02	CRANKCASE
0.04.2	01	ENGINE OIL SUMP - VERSION (01)
0.04.3	01	CRANKCASE COVERS
0.04.3	02	CRANKCASE COVERS - VERSION (01)
0.04.3	03	CRANKCASE COVERS
0.04.5	01	BREATHER - ENGINE
0.06.0	01	CYLINDER HEAD
0.06.3	01	CYLINDER HEAD COVERS
0.06.6	01	ROCKER SHAFT
0.07.1	01	INTAKE MANIFOLD
0.07.7	01	EXHAUST MANIFOLD
0.08.0	01	CRANKSHAFT
0.08.1	01	CONNECTING ROD
0.08.2	01	PISTON - ENGINE
0.08.3	01	FLYWHEEL - ENGINE
0.08.4	01	PULLEY - CRANKSHAFT
0.12.0	01	CAMSHAFT - TIMING CONTROL
0.14.0	01	INJECTION PUMP
0.14.0	02	INJECTION EQUIPMENT - INJECTOR
0.14.2	01	INJECTION PUMP - CONTROL
0.14.6	01	INJECTION EQUIPMENT - PIPING
0.14.9	01	INJECTION EQUIPMENT - PIPING
0.20.0	01	FUEL FILTER
0.20.1	01	FUEL PUMP
0.20.3	01	PIPING - FUEL
0.20.4	01	INJECTION EQUIPMENT - PIPING
0.24.0	01	TURBOCHARGER
0.27.0	01	ENGINE OIL DIPSTICK - VERSION (01)
0.27.2	01	MOTOR SENSORS
0.30.0	01	OIL PUMP - ENGINE
0.30.2	01	OIL FILTERS - ENGINE
0.30.5	01	PIPING - ENGINE OIL
0.31.5	01	HEAT EXCHANGER - ENGINE
0.32.0	01	WATER PUMP
0.32.3	01	PIPING - ENGINE COOLING SYSTEM
0.32.6	01	THERMOSTAT - ENGINE COOLING SYSTEM - VERSION (01)
0.34.0	01	WATER PUMP - CONTROL
0.34.5	01	FAN DRIVE
0.36.0	01	STARTER MOTOR
0.36.0/A	01	STARTER MOTOR - COMPONENTS
0.40.0	01	ALTERNATOR
0.45.0	01	HOOKS - ENGINE
1.10.1	01	THROTTLE CONTROL
1.10.3	01	MAIN HYDRAULIC CONTROL
1.11.1A	01	LIFT CYLINDER
1.11.1A	02	LIFT CYLINDER - COMPONENTS
1.11.2	01	COMPENSATION CYLINDER
1.11.2	02	COMPENSATION CYLINDER - COMPONENTS
1.15.0	01	EXHAUST SILENCER
1.17.0	01	ENGINE COOLING
1.17.0	02	ENGINE COOLING
1.17.0	03	ENGINE COOLING

TABLE OF CONTENTS

1.17.0	04	ENGINE COOLING
1.17.0	05	ENGINE COOLING
1.19.1	01	AIR CLEANER
1.19.1	02	AIR CLEANER
1.21.5	01	MAIN FRAME
1.21.7	01	COUNTERWEIGHT
1.22.1	01	GRADING CYLINDER
1.26.0	01	ENGINE AND TRANSMISSION SUPPORT
1.28.8	01	TRANSMISSION LUBRIFICATION SYSTEM
1.28.A	01	TRANSMISSION
1.28.A	02	TRANSMISSION - COMPONENTS
1.28.A	03	TRANSMISSION - COMPONENTS
1.28.A	04	TRANSMISSION - COMPONENTS
1.28.A	05	TRANSMISSION - COMPONENTS
1.28.A	06	TRANSMISSION - COMPONENTS
1.28.A	07	TRANSMISSION - COMPONENTS
1.28.A	08	TRANSMISSION - COMPONENTS
1.28.A	09	TRANSMISSION - COMPONENTS
1.28.A	10	TRANSMISSION - COMPONENTS
1.28.A	11	TRANSMISSION - COMPONENTS
1.28.A	12	TRANSMISSION - COMPONENTS
1.28.A	13	TRANSMISSION - COMPONENTS
1.28.A	14	TRANSMISSION - COMPONENTS
1.28.A	15	TRANSMISSION - COMPONENTS
1.28.A	16	TRANSMISSION - COMPONENTS
1.38.A	01	DRIVE SHAFTS
1.44.0	01	REAR AXLE
1.44.0	02	REAR AXLE - COMPONENTS
1.44.0	03	REDUCTION - REAR AXLE
1.44.0	04	DIFFERENTIAL - REAR AXLE
1.44.0	05	BRAKE DISCS - REAR AXLE
1.44.0	06	STEERING SYSTEM - REAR AXLE
1.44.0	07	REAR AXLE - SUPPORT
1.63.0	01	STEERING SYSTEM
1.63.0	02	STEERING SYSTEM - COMPONENTS
1.63.1	01	HYDRAULIC CIRCUIT, STEERING SYSTEM
1.65.0	01	BRAKE SYSTEM
1.65.0/A	01	BRAKE SYSTEM
1.65.A	01	PARKING BRAKE
1.75.1	01	ELECTRIC COMPONENTS
1.75.2	01	ELECTRIC COMPONENTS
1.75.2	02	ELECTRIC COMPONENTS
1.75.2	03	ELECTRIC COMPONENTS
1.75.2	04	ELECTRIC COMPONENTS
1.75.6A	01	NARROW STABILIZER FRONT HEADLAMP SUPPORTS
1.82.0	01	FUEL AND OIL TANK
1.82.0	02	FUEL AND OIL TANK - COMPONENTS
1.82.3	01	HYDRAULIC PUMP
1.82.3	02	HYDRAULIC PUMP - COMPONENTS
1.82.6	01	HYDRAULIC SYSTEM PIPING
1.82.6	02	HYDRAULIC SYSTEM PIPING
1.82.6	03	HYDRAULIC SYSTEM PIPING
1.82.6	04	HYDRAULIC SYSTEM PIPING
1.83.0	01	HOODS
1.86.2	01	RIGHT REAR VIEW MIRROR

TABLE OF CONTENTS

1.92.3	01	TIP-OVER PREVENTION INDICATOR
1.98.2	01	TRADE MARKS
1.98.A	01	DECALS
1.98.A	02	DECALS
9.00000	01	POWER SOCKET WITH REEL - OPTIONAL CODE 749087011
9.00068	01	FORK FOR TRUNK - OPTIONAL CODE 749058001
9.00068	02	FORK FOR TRUNK - COMPONENTS - OPTIONAL CODE 749058001
9.00068	03	FORK FOR TRUNK - COMPONENTS - OPTIONAL CODE 749058001
9.00074	01	BUCKET W/HOOKING AND WELDED TEETH 1,2 MC - OPTIONAL CODE 749062001
9.00074	02	BUCKET W/HOOKING AND WELDED TEETH 0,8MC - OPTIONAL CODE 749064001
9.00075	01	BUCKET 4 IN 1 - 0,8 MC - OPTIONAL CODE 749066001
9.00075	02	BUCKET 4 IN 1 - 0,8 MC - COMPONENTS - OPTIONAL CODE 749066001
9.00091	01	BUCKET TEETH GUARD - OPTIONAL CODE 749136001
9.00094	01	BUCKET TEETH GUARD FOR TUV - OPTIONAL CODE 749143001
9.00115	01	RAIN PROTECTION - OPTIONAL CODE 749141001
9.00189	01	FORK EXTENSION L=2000 MM - OPTIONAL CODE 749059021
9.00199	01	FORK EXTENSION L=2500 MM - OPTIONAL CODE 749061021
9.00204	01	COLD START-UP - OPTIONAL CODE 749079011
9.00325	01	WHEEL BLOCKING - OPTIONAL CODE 749088001
9.00325A	01	LIFT CYLINDER LOCK UP - OPTIONAL CODE 748183001
9.00330	01	EUROPE APPROVAL - OPTIONAL CODE 749029021
9.00333	01	40 KM/H TUV APPROVAL - OPTIONAL CODE 749127011
9.00333	02	40 KM/H TUV APPROVAL - OPTIONAL CODE 749127011
9.00333	03	40 KM/H TUV APPROVAL - OPTIONAL CODE 749127011
9.00335	01	20 KM/H TUV GERMANY APPROVAL - OPTIONAL CODE 749129011
9.00335	02	20 KM/H TUV GERMANY APPROVAL - OPTIONAL CODE 749129011
9.00335	03	20 KM/H TUV GERMANY APPROVAL - OPTIONAL CODE 749129011
9.00342	01	FRANCE APPROVAL - OPTIONAL CODE 749028021
9.00342	02	FRANCE APPROVAL - OPTIONAL CODE 749028021
9.00447/A	01	LSD FRONT AXLE - OPTIONAL CODE 749081031
9.00447/A	02	LSD FRONT AXLE - COMPONENTS - OPTIONAL CODE 749081031
9.00447/A	03	REDUCTION - LSD FRONT AXLE - OPTIONAL CODE 749081031
9.00447/A	04	DIFFERENTIAL - LSD FRONT AXLE - OPTIONAL CODE 749081031
9.00447/A	05	BRAKE DISCS - LSD FRONT AXLE - OPTIONAL CODE 749081031
9.00447/A	06	STEERING SYSTEM - LSD FRONT AXLE - OPTIONAL CODE 749081031
9.00447/A	07	LSD FRONT AXLE - SUPPORT - OPTIONAL CODE 749081031
9.00448/A	01	FRONT AXLE - OPTIONAL CODE 749082031
9.00448/A	02	FRONT AXLE - COMPONENTS - OPTIONAL CODE 749082031
9.00448/A	03	REDUCTION - FRONT AXLE - OPTIONAL CODE 749082031
9.00448/A	04	DIFFERENTIAL - FRONT AXLE - OPTIONAL CODE 749082031
9.00448/A	05	BRAKE DISCS - FRONT AXLE - OPTIONAL CODE 749082031
9.00448/A	06	STEERING SYSTEM - FRONT AXLE - OPTIONAL CODE 749082031
9.00448/A	07	FRONT AXLE - SUPPORT - OPTIONAL CODE 749082031
9.00581	01	ROPS CAB WITH CONDITIONER (DOUBLE DOOR) - OPTIONAL CODE 749159101
9.00581	02	ROPS CAB WITH CONDITIONER - COMPONENTS - OPTIONAL CODE 749159101
9.00581	03	ROPS CAB WITH CONDITIONER - COMPONENTS - OPTIONAL CODE 749159101
9.00581	04	ROPS CAB WITH CONDITIONER - COMPONENTS - OPTIONAL CODE 749159101
9.00581	05	ROPS CAB WITH CONDITIONER - COMPONENTS - OPTIONAL CODE 749159101
9.00581	06	ROPS CAB WITH CONDITIONER - COMPONENTS - OPTIONAL CODE 749159101
9.00581	07	ROPS CAB WITH CONDITIONER - COMPONENTS - OPTIONAL CODE 749159101
9.00581	08	ROPS CAB WITH CONDITIONER - COMPONENTS - OPTIONAL CODE 749159101
9.00581	09	ROPS CAB WITH CONDITIONER - COMPONENTS - OPTIONAL CODE 749159101
9.00581	10	ROPS CAB WITH CONDITIONER - COMPONENTS - OPTIONAL CODE 749159101
9.00581	11	ROPS CAB WITH CONDITIONER - COMPONENTS - OPTIONAL CODE 749159101
9.00589	01	ROPS CAB (DOUBLE DOOR) - OPTIONAL CODE 749158031

TABLE OF CONTENTS

9.00589	02	ROPS CAB - COMPONENTS - OPTIONAL CODE 749158031
9.00589	03	ROPS CAB - COMPONENTS - OPTIONAL CODE 749158031
9.00589	04	ROPS CAB - COMPONENTS - OPTIONAL CODE 749158031
9.00589	05	ROPS CAB - COMPONENTS - OPTIONAL CODE 749158031
9.00589	06	ROPS CAB - COMPONENTS - OPTIONAL CODE 749158031
9.00589	07	ROPS CAB - COMPONENTS - OPTIONAL CODE 749158031
9.00589	08	ROPS CAB - COMPONENTS - OPTIONAL CODE 749158031
9.00589	09	ROPS CAB - COMPONENTS - OPTIONAL CODE 749158031
9.00589	10	ROPS CAB - COMPONENTS - OPTIONAL CODE 749158031
9.00589	11	ROPS CAB - COMPONENTS - OPTIONAL CODE 749158031
9.00589	12	ROPS CAB - COMPONENTS - OPTIONAL CODE 749158031
9.00589	13	ROPS CAB - COMPONENTS - OPTIONAL CODE 749158031
9.00589	14	ROPS CAB - COMPONENTS - OPTIONAL CODE 749158031
9.00589	15	ROPS CAB - COMPONENTS - OPTIONAL CODE 749158031
9.00589	16	ROPS CAB - COMPONENTS - OPTIONAL CODE 749158031
9.00589	17	ROPS CAB - COMPONENTS - OPTIONAL CODE 749158031
9.00589	18	ROPS CAB - COMPONENTS - OPTIONAL CODE 749158031
9.00589	19	ROPS CAB - COMPONENTS - OPTIONAL CODE 749158031
9.00589	20	ROPS CAB - COMPONENTS - OPTIONAL CODE 749158031
9.00589	21	ROPS CAB - COMPONENTS - OPTIONAL CODE 749158031
9.00589	22	ROPS CAB - COMPONENTS - OPTIONAL CODE 749158031
9.00589	23	ROPS CAB - COMPONENTS - OPTIONAL CODE 749158031
9.00589	24	ROPS CAB - COMPONENTS - OPTIONAL CODE 749158031
9.00589	25	ROPS CAB - COMPONENTS - OPTIONAL CODE 749158031
9.00589	26	ROPS CAB - COMPONENTS - OPTIONAL CODE 749158031
9.00589	27	ROPS CAB (DOUBLE DOOR) - COMPONENTS - OPTIONAL CODE 749158031
9.00589	28	ROPS CAB (DOUBLE DOOR) - COMPONENTS - OPTIONAL CODE 749158031
9.00589	29	ROPS CAB (DOUBLE DOOR) - COMPONENTS - OPTIONAL CODE 749158031
9.00601	01	REAR WINDSHIELD WIPER - OPTIONAL CODE 749145011
9.00619	01	ROTATING BEACON - OPTIONAL CODE 749006001
9.00728	01	HYDRAULIC QUICK COUPLING (JC) - OPTIONAL CODE 749147001
9.00729	01	HYDRAULIC QUICK COUPLING (MR) - OPTIONAL CODE 749149001
9.00730	01	HYDRAULIC QUICK COUPLING (MT) - OPTIONAL CODE 749148001
9.00772	01	BOOM WORK LIGHTS - OPTIONAL CODE 749086001
9.00773	01	FRONT WORK LIGHTS - OPTIONAL CODE 749036001
9.00778	01	REAR WORK LIGHTS - OPTIONAL CODE 749037021
9.00854	01	CLOTH-LINED SEAT WITH MECHANICAL SUSPENSION - OPTIONAL CODE 749007031
9.00882	01	4.0 TON FORK HOOK - OPTIONAL CODE 749070001
9.00884	01	TOW HOOK - REAR - OPTIONAL CODE 749117011
9.00978	01	SAFETY PLATES (ITALIAN) - OPTIONAL CODE 749101001 - 749101011
9.00978	02A	SAFETY PLATES (ITALIAN) - OPTIONAL CODE 749101011
9.00978	03	SAFETY PLATES (ITALIAN) - OPTIONAL CODE 749101001 - 749101011
9.00980	01	SAFETY PLATES (ENGLISH) - OPTIONAL CODE 749097001 - 749097011
9.00980	02A	SAFETY PLATES (ENGLISH) - OPTIONAL CODE 749097011
9.00980	03	SAFETY PLATES (ENGLISH) - OPTIONAL CODE 749097001 - 749097011
9.00981	01	SAFETY PLATES (GERMAN) - OPTIONAL CODE 749102001 - 749102011
9.00981	02A	SAFETY PLATES (GERMAN) - OPTIONAL CODE 749102011
9.00981	03	SAFETY PLATES (GERMAN) - OPTIONAL CODE 749102001 - 749102011
9.00982	01	SAFETY PLATES (FRENCH) - OPTIONAL CODE 749100001 - 749100011
9.00982	02A	SAFETY PLATES (FRENCH) - OPTIONAL CODE 749100011
9.00982	03	SAFETY PLATES (FRENCH) - OPTIONAL CODE 749100001 - 749100011
9.00986	01	SAFETY PLATES (PORTUGUESE) - OPTIONAL CODE 749099001 - 749099011
9.00986	02A	SAFETY PLATES (PORTUGUESE) - OPTIONAL CODE 749099011
9.00986	03	SAFETY PLATES (PORTUGUESE) - OPTIONAL CODE 749099001 - 749099011
9.00987	01	SAFETY PLATES (SPANISH) - OPTIONAL CODE 749098001 - 749098011

TABLE OF CONTENTS

9.00987	02A	SAFETY PLATES (SPANISH) - OPTIONAL CONE 749098011
9.00987	03	SAFETY PLATES (SPANISH) - OPTIONAL CODE 749098001 - 749098011
9.01131	01	MIXER BUCKET GUARD - OPTIONAL CODE 749137001
9.01132	01	FEM FORK GUARD - OPTIONAL CODE 749138001
9.01133	01	FLOATING FORK GUARD - OPTIONAL CODE 749139001
9.01190	01	RAFT WITH 4.0 TON WINCH - OPTIONAL CODE 749118011
9.01190	02	RAFT WITH 4.0 TON WINCH - COMPONENTS - OPTIONAL CODE 749118011
9.01190	03	RAFT WITH 4.0 TON WINCH - COMPONENTS - OPTIONAL CODE 749118011
9.01191	01	RAFT WITH 4.0 TON HOOK - OPTIONAL CODE 749119001
9.01278	01	FRONT EQUIPMENT PIPING - OPTIONAL CODE 749078001
9.01292	01	FLOATING FORK 150X60X1200 MM - OPTIONAL CODE 749182031
9.01760	01	FALCON WITH WINCH L= 4000 MM - OPTIONAL CODE 749112011
9.01760	02	FALCON WITH WINCH L= 4000 MM - COMPONENTS - OPTIONAL CODE 749112011
9.01760	03	FALCON WITH WINCH L= 4000 MM - COMPONENTS - OPTIONAL CODE 749112011
9.01762	01	FALCON WITH WINCH L= 3000 MM - OPTIONAL CODE 749071011
9.01762	02	FALCON WITH WINCH L= 3000 MM - COMPONENTS - OPTIONAL CODE 749071011
9.01762	03	FALCON WITH WINCH L= 3000 MM - COMPONENTS - OPTIONAL CODE 749071011
9.01983	01	SAFETY PLATES (DANISH) - OPTIONAL CODE 749103001 - 749103011
9.01983	02A	SAFETY PLATES (DANISH) - OPTIONAL CODE 749103011
9.01983	03	SAFETY PLATES (DANISH) - OPTIONAL CODE 749103001 - 749103011
9.01984	01	SAFETY PLATES (DUTCH) - OPTIONAL CODE 749104001 - 749104011
9.01984	02A	SAFETY PLATES (DUTCH) - OPTIONAL CODE 749104011
9.01984	03	SAFETY PLATES (DUTCH) - OPTIONAL CODE 749104001 - 749104011
9.02171	01	SUN SCREEN CURTAIN - OPTIONAL CODE 749042001
9.03101	01	WHEELS - 15,5X25 RADIAL - OPTIONAL CODE 857152531
9.03101	02	WHEELS - 15,5X25 RADIAL - OPTIONAL CODE 857152531
9.03703	01	WHEELS - 405/70X24 - OPTIONAL CODE 857402431
9.03703	02	WHEELS - 405/70X24 - OPTIONAL CODE 857402431
9.03704	01	WHEELS - 15R22,5 RADIAL - OPTIONAL CODE 857153031
9.03704	02	WHEELS - 15R22,5 RADIAL - OPTIONAL CODE 857153031
9.03706	01	WHEELS - 13,00X24X14 - OPTIONAL CODE 857132431
9.03706	02	WHEELS - 13,00X24X14 - OPTIONAL CODE 857132431
9.03706/B	01	WHEELS - 400/70X24 - OPTIONAL CODE 857402601
9.03706/B	02	WHEELS - 400/70X24 - OPTIONAL CODE 857402601
9.08403	01	4 SPOOL VALVE - OPTIONAL CODE 749002151
9.08403	02	4 SPOOL VALVE - OPTIONAL CODE 749002151
9.08403	03	4 SPOOL VALVE - COMPONENTS- OPTIONAL CODE 749002151
9.08403	04	4 SPOOL VALVE - COMPONENTS- OPTIONAL CODE 749002151
9.08403	05	4 SPOOL VALVE - COMPONENTS- OPTIONAL CODE 749002151
9.08403	06	4 SPOOL VALVE - COMPONENTS- OPTIONAL CODE 749002151
9.08403	07	4 SPOOL VALVE - COMPONENTS- OPTIONAL CODE 749002151
9.08403	08	4 SPOOL VALVE - COMPONENTS- OPTIONAL CODE 749002151
9.08403	09	4 SPOOL VALVE - COMPONENTS- OPTIONAL CODE 749002151
9.09101	01	CYCLONE PRE-FILTER - OPTIONAL CODE 749142001
9.10182	01	WINDSHIELD GUARD GRILL - OPTIONAL CODE 749041001
9.50085	01	BATTERY 95 AH - OPTIONAL CODE 861105031
9.50085A	01	DOUBLE BATTERY 95 AH - OPTIONAL CODE 861150031
9.50165	01	FLOATING FORK HOLDER - OPTIONAL CODE 749011001
9.50166	01	FEM FORK HOLDER - OPTIONAL CODE 749022001
9.50167	01	FEM FORK HOLDER L=1470 MM - OPTIONAL CODE 749053001
9.50168	01	FORK HOLDER FOR FLOATING FORKS L = 1470 MM - OPTIONAL CODE 749049001
9.50170	01	FORK HOLDER WITH SIDE TRAVEL L=1260 MM - OPTIONAL CODE 749056001
9.50170	01A	FORK HOLDER WITH SIDE TRAVEL L=1260 MM - OPTIONAL CODE 749056001
9.50170	02	FORK HOLDER WITH SIDE TRAVEL L=1470 MM - OPTIONAL CODE 749057001
9.50170	02A	FORK HOLDER WITH SIDE TRAVEL L=1470 MM - OPTIONAL CODE 749057001

TABLE OF CONTENTS

9.50610	01	ROOF WIPER KIT - OPTIONAL CODE 749195041
9.50640	01	STEERING WHEEL KNOB ASSEMBLY - OPTIONAL CODE 749198001
9.50834	01	MATERIAL HANDLING BASKET - OPTIONAL CODE 749073001
9.80065	01	FEM FORK 150X60X1200 MM - OPTIONAL CODE 749025031
9.80084	01	0.5 CU M CONCRETE MIXER BUCKET- OPTIONAL CODE 749067011
9.80092	01	TELESCOPIC ARM FOR 4 FUNCTIONS (10 MT) - OPTIONAL CODE 749027381
9.80092	02	TELESCOPIC ARM FOR 4 FUNCTIONS (10 MT) - OPTIONAL CODE 749027381
9.80092	03	ARM FOR 4 FUNCTIONS (10MT) - OPTIONAL CODE 749027381
9.80092	04	TELESCOPIC ARM FOR 4 FUNCTIONS (10 MT) - OPTIONAL CODE 749027381
9.80092	05	ARM FOR 4 FUNCTIONS (10MT) - OPTIONAL CODE 749027381
9.80092	06	ARM FOR 4 FUNCTIONS (10MT) - OPTIONAL CODE 749027381
9.80092	07	ARM FOR 4 FUNCTIONS (10MT) - OPTIONAL CODE 749027381
9.80253	01	0.8 CU M BUCKET W/HOOKING AND W/OUT TEETH - OPTIONAL CODE 749013001
9.80255	01	0.5 CU M CONCRETE BUCKET- OPTIONAL CODE 749069001
9.81126	01	MECHANICAL QUICK HOOKER (JC) - OPTIONAL CODE 749044001
9.81127	01	MECHANICAL QUICK HOOKER (MT) - OPTIONAL CODE 749046001
9.81128	01	MECHANICAL QUICK HOOKER (MR) - OPTIONAL CODE 749045001
9.81130	01	MECHANICAL QUICK HOOKER - OPTIONAL CODE 749009001
9.81131	01	HYDRAULIC QUICK COUPLING - OPTIONAL CODE 749124001
9.81131	02	HYDRAULIC QUICK COUPLING - COMPONENTS - OPTIONAL CODE 749124001
9.82056	01	1.2 CU M BUCKET W/HOOKING AND W/OUT TEETH - OPTIONAL CODE 749063001

0.02.1

01

p1

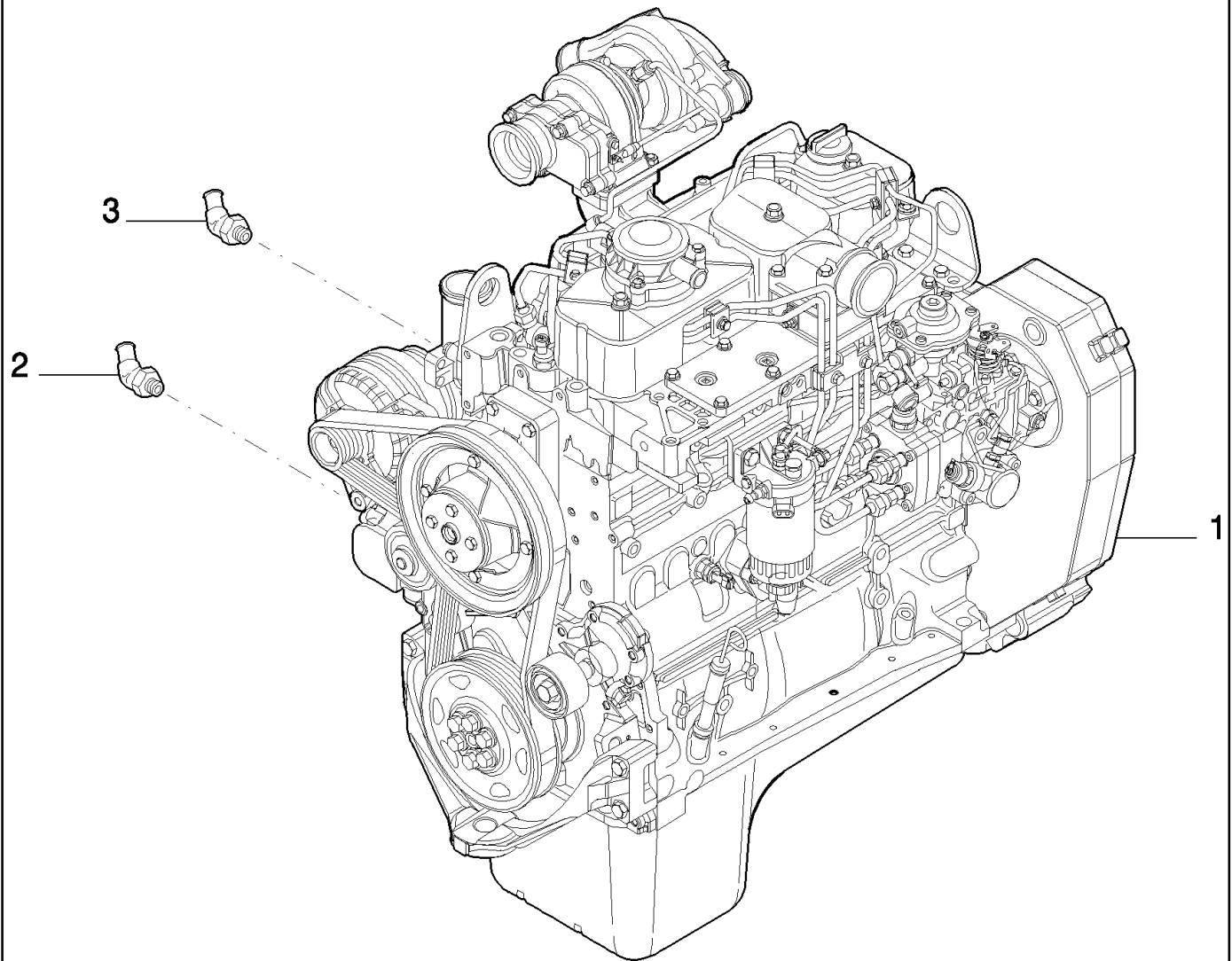
02/08

ENGINE - VERSION (01)

MOTOR

MOTEUR

MOTOR



MOTORE
MOTOR
MOTOR
MOTOR

R	N	P.N.	MOD	Q	Description Descrizione	Bezeichnung Beskrivelse	Description Denominação	Denominacion Beschrijving	L.C.
1		504165579		1	ENGINE, TC89KW MOTORE	MOTOR MOTOR	MOTEUR MOTOR	MOTOR MOTOR	130M
2		76088006		1	CONNECTOR, HYD. RACCORDO IDRAULICO	HYDRAULIKKUPPLUNG FORSKRUNING	RACCORD CONECTOR	RACOR VERBINDING	020R
3		87311959		1	CONNECTOR, HYD. RACCORDO IDRAULICO	HYDRAULIKKUPPLUNG FORSKRUNING	RACCORD CONECTOR	RACOR VERBINDING	020R

LM1060

0.04.0

01

p1

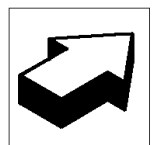
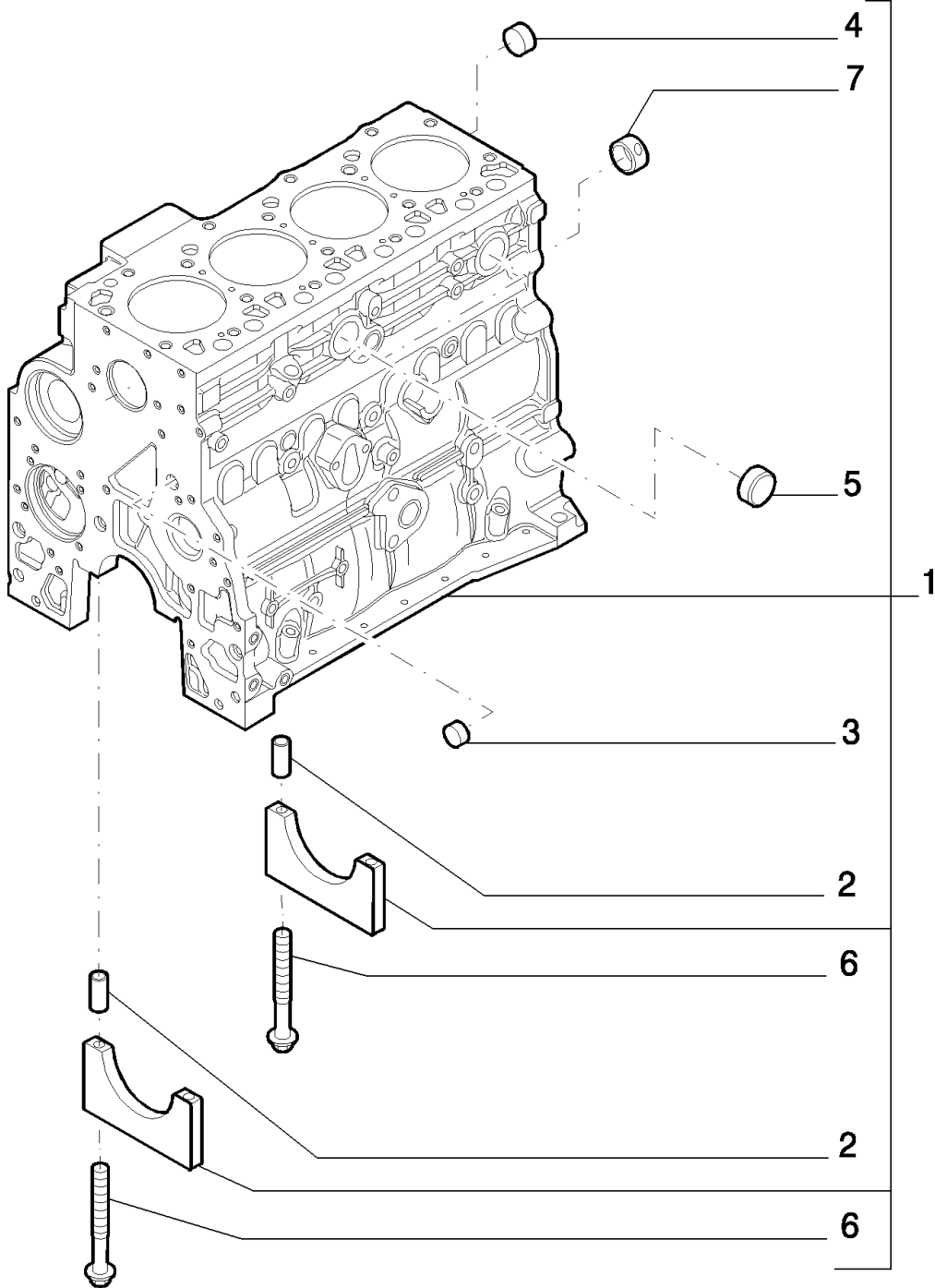
02/08

CRANKCASE - VERSION (01)

KURBELGEHAUSE

BLOC CYLINDRE

BLOQUE CILINDROS



0.04.0

01

p1

02/08

**BASAMENTO MOTORE
MOTORBLOK
BASE MOTOR
MOTORBLOK**

R	N	P.N.	MOD	Q	Description Descrizione	Bezeichnung Beskrivelse	Description Denominação	Denominacion Beschrijving	L.C.
1		2830081		1	CYLINDER BLOCK, - ASSYKURBELGEHAEUSE BASAMENTO MOTORE	KRUMTAPHUS	BLOC MOTEUR BLOCO DE MOTOR	BLOQUE DE CILINDROS MOTORBLOK	020B
2		4899026		10	DOWEL GRANO	ZENTRIERBOLZEN DYVEL	PION GUIA	PITON STEL PEN	090G
3		4895039		3	PLUG TAPPO	STOPFEN PROP	BOUCHON BUJAO	TAPÓN PLUG	050T
4		4895038		4	PLUG TAPPO	STOPFEN PROP	BOUCHON BUJAO	TAPÓN PLUG	050T
5		4895228		2	PLUG TAPPO	STOPFEN PROP	BOUCHON BUJAO	TAPÓN PLUG	050T
6		4891353		10	SCREW, Flg Hd, M12 x 1.5 x 120 VITE	SCHRAUBE SKRUE	VIS PARAFUSO	TORNILLO SCHROEF	040V
7		4895040		1	BUSHING BOCCOLA	BUECHSE BOESNING	BAGUE CASQUILHO	CASQUILLO LAGERBUS	095B

LM1060

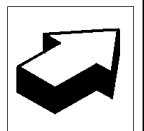
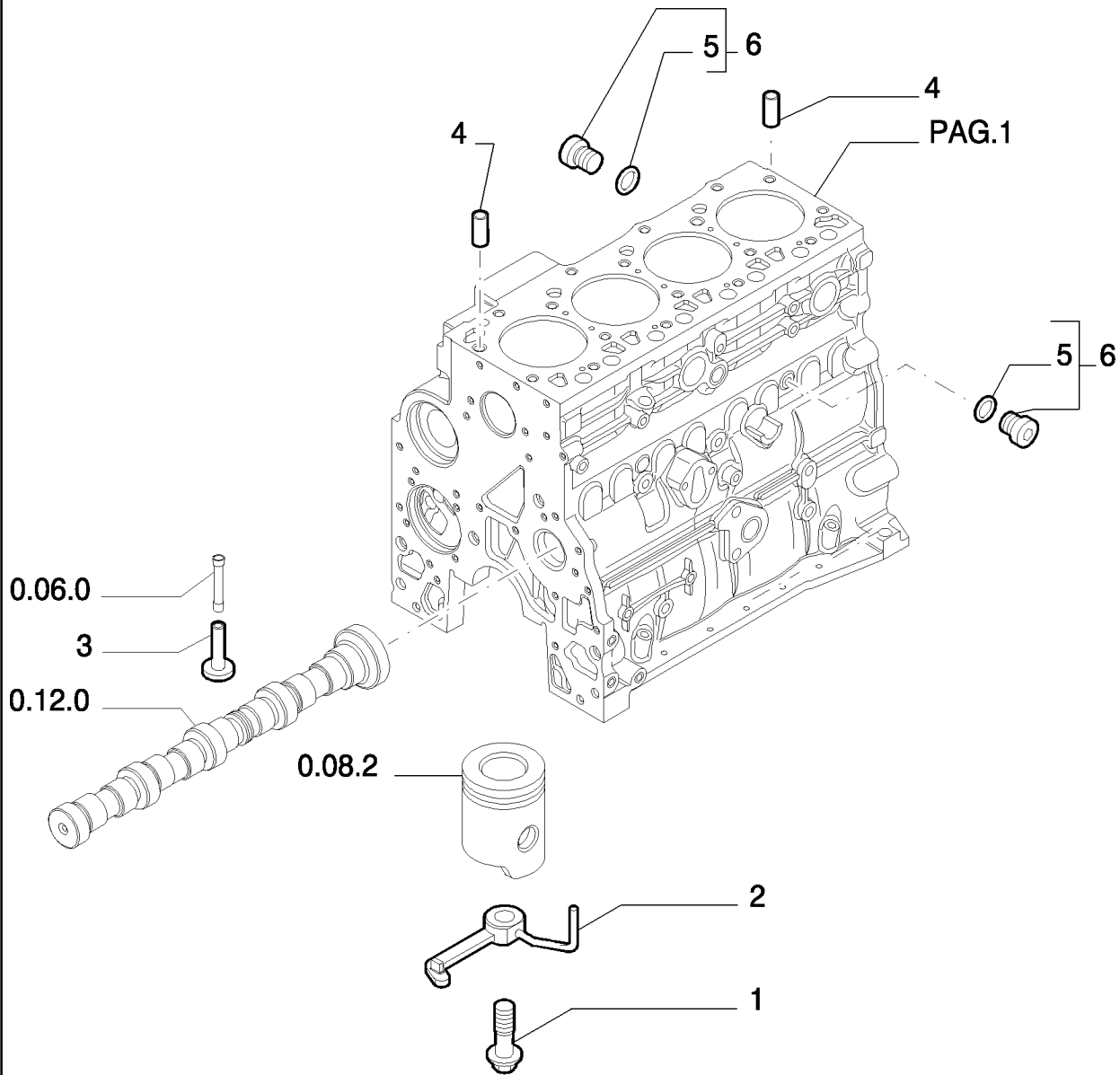
0.04.0

02

p1

02/08

CRANKCASE
KURBELGEHAUSE
BLOC CYLINDRE
BLOQUE CILINDROS



0.04.0

02

p1

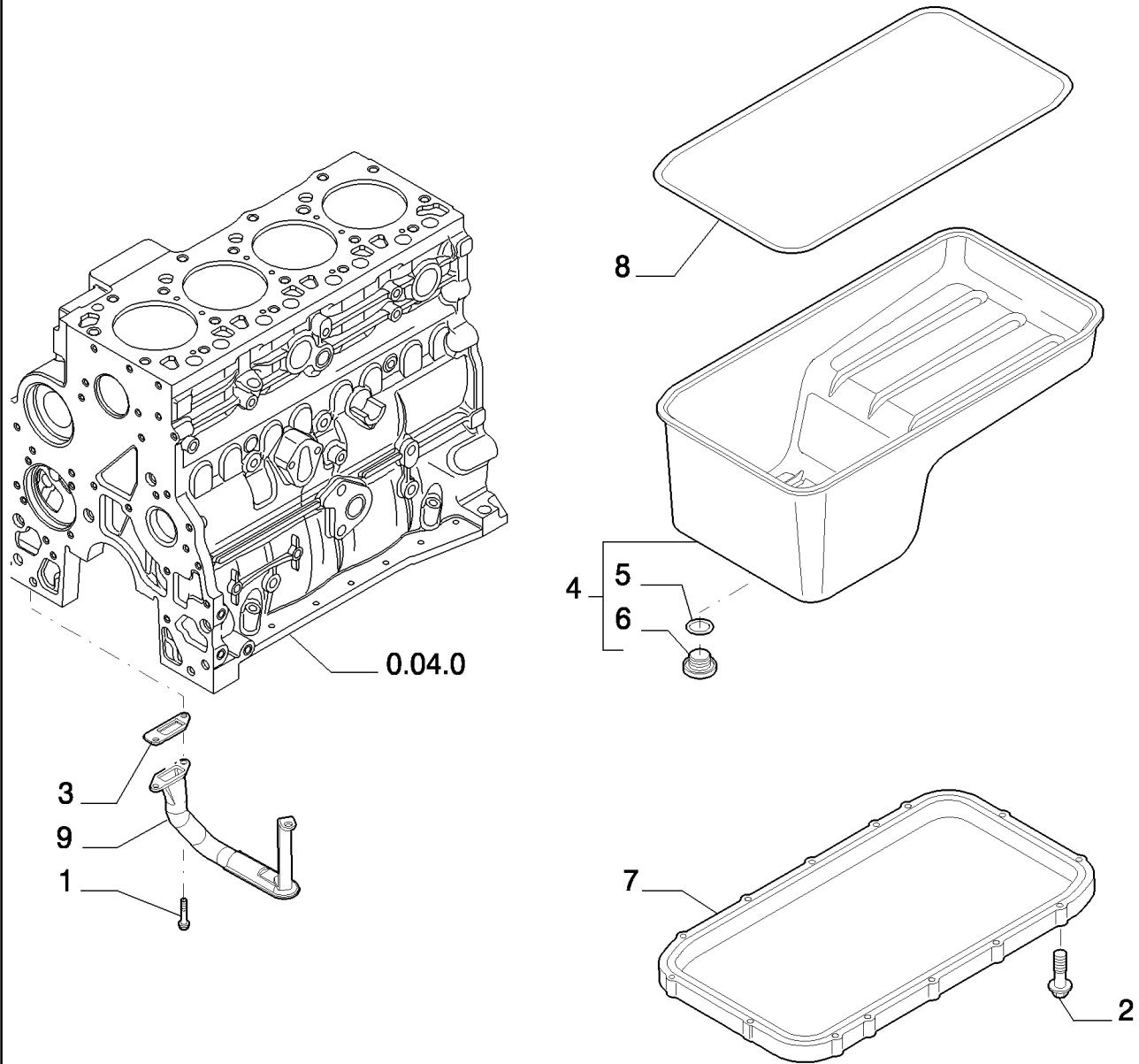
02/08

**BASAMENTO MOTORE
MOTORBLOK
BASE MOTOR
MOTORBLOK**

R	N	P.N.	MOD	Q	Description Descrizione	Bezeichnung Beskrivelse	Description Denominação	Denominacion Beschrijving	L.C.
1		4894218		4	SCREW VITE	SCHRAUBE SKRUE	VIS PARAFUSO	TORNILLO SCHROEF	040V
2		2852203		4	NOZZLE, LUB. OIL JET UGELLO	DUESE DYSE	GICLEUR PULVERIZADOR	TOBERA VERSTUIVER	020U
3		4895180		8	TAPPET PUNTERIA	STÖSSELEINSTELLSCH VENTILLOEFTER	POUSSOIR IMPULSOR	EMPUJADOR LAGER, ROL	240P
4		4895049		2	DOWEL GRANO	ZENTRIERBOLZEN DYVEL	PION GUIA	PITON STEL PEN	090G
5		4895393		1	O-RING ANELLO TOROIDALE	O-RING O-RING	JOINT THORIQUE O-RING	JUNTA HERMETICA O-RING	055A
6		4895392		2	PLUG, 18x1,5 mm TAPPO	STOPFEN PROP	BOUCHON BUJAO	TAPÓN PLUG	050T

LM1060

ENGINE OIL SUMP - VERSION (01)
MOTORÖLWANNE
CARTER D'HUILE
CARTER DE ACEITE



COPPA OLIO MOTORE
BUNDKAR
CÁRTER ÓLEO MOTOR
MOTOROLIECARTER

R	N	P.N.	MOD	Q	Description Descrizione	Bezeichnung Beskrivelse	Description Denominação	Denominacion Beschrijving	L.C.
1		2852234		2	SCREW, Hex Flg, M8 x 1.25 x 20 VITE	SCHRAUBE SKRUE	VIS PARAFUSO	TORNILLO SCHROEF	040V
2		4899091		14	SCREW, Hex Flg, M8 x 1.25 x 40 VITE	SCHRAUBE SKRUE	VIS PARAFUSO	TORNILLO SCHROEF	040V
3		4898301		1	GASKET GUARNIZIONE	DICHTUNG, FLACH PAKNING	JOINT JUNTA	JUNTA HERMETICA DICHTINGSSTUK	123G
4		4897878		1	PAN, ENGINE OIL, - ASSY COPPA OLIO	MOTORÖLWANNE BUNDKAR	CARTER D'HUILE CARTER DE OLEO	CARTER DE ACEITE OLIECARTER	274C
5		4895584		1	O-RING, 23.4X2.6 ANELLO TOROIDALE	O-RING O-RING	JOINT THORIQUE O-RING	JUNTA HERMETICA O-RING	055A
6		4894139		1	PLUG, 22X1.5 TAPPO	STOPFEN PROP	BOUCHON BUJAO	TAPÓN PLUG	050T
7		4897876		1	SPACER DISTANZIALE	DISTANZSTÜCK AFSTANDSSTYKKE	ENTRETOISE ESPACADOR	SEPARADOR AFSTANDSRING	075D
8		4897877		1	GASKET GUARNIZIONE	DICHTUNG, FLACH PAKNING	JOINT JUNTA	JUNTA HERMETICA DICHTINGSSTUK	123G
9		4891791		1	STRAINER, ELEMENT ELEMENTO FILTRANTE	SIEBEINSATZ ELEMENTSI	TAMIS DE CRÉPINE TAMIS DE ALCACHOFA	TAMIZ DE ALCACHOFA STRAINER, ELEMENT	8600

LM1060

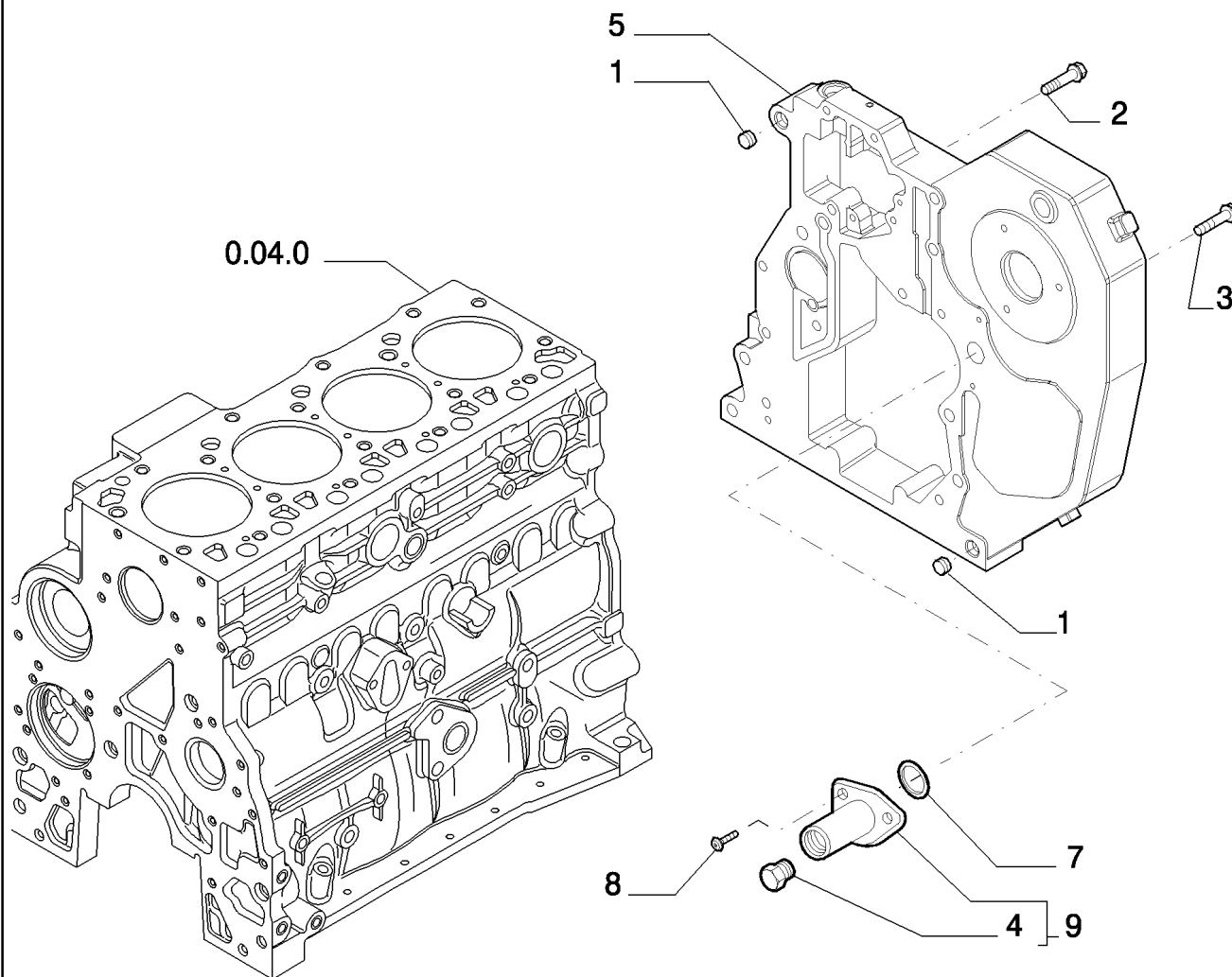
0.04.3

01

p1

02/08

CRANKCASE COVERS
DECKEL DES KURBELGEHAUSES
COUVERCLES DE BÂTI
TAPAS DEL BLOQUE

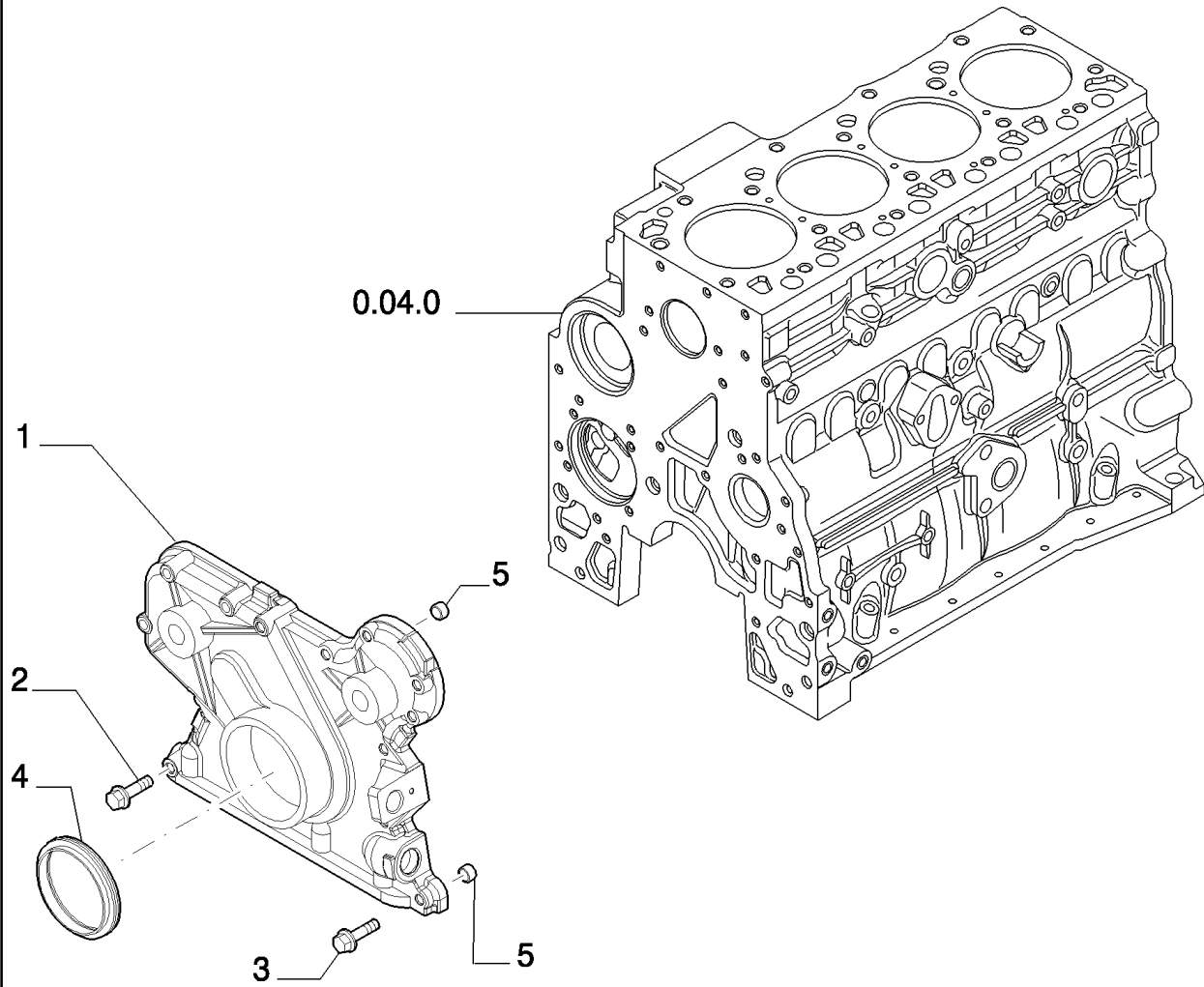


COPERCHI BASAMENTO
MOTORBLOKSDÆKSEL
TAMPAS BASE
DEKSELS BLOK

R	N	P.N.	MOD	Q	Description Descrizione	Bezeichnung Beskrivelse	Description Denominação	Denominacion Beschrijving	L.C.
1		4899026		2	DOWEL GRANO	ZENTRIERBOLZEN DYVEL	PION GUIA	PITON STEL PEN	090G
2		4899091		4	SCREW, Hex Flg, M8 x 1.25 x 40	SCHRAUBE SKRUE	VIS PARAFUSO	TORNILLO SCHROEF	040V
3		4899093		5	SCREW, Hex Flg, M10 x 1.5 x 30	SCHRAUBE SKRUE	VIS PARAFUSO	TORNILLO SCHROEF	040V
3		4899073		1	SCREW, Hex Flg, M12 x 1.75 x 30	SCHRAUBE SKRUE	VIS PARAFUSO	TORNILLO SCHROEF	040V
4		2855289		1	PLUG TAPPO	STOPFEN PROP	BOUCHON BUJAO	TAPÓN PLUG	050T
5		2853671		1	HOUSING ALLOGGIAMENTO	GEHÄUSE HUS	CARTER ALOJAMENTO	CAVIDAD HUIS	014V
7		2852519		1	O-RING ANELLO TOROIDALE	O-RING O-RING	JOINT THORIQUE O-RING	JUNTA HERMETICA O-RING	055A
8		4895355		2	SCREW, Torx Rd Hd, M5 x .8 x 17	SCHRAUBE SKRUE	VIS PARAFUSO	TORNILLO SCHROEF	040V
9		2855287		1	HOUSING, - ASSY ALLOGGIAMENTO	GEHÄUSE HUS	CARTER ALOJAMENTO	CAVIDAD HUIS	014V

LM1060

CRANKCASE COVERS - VERSION (01)
DECKEL DES KURBELGEHAUSES
COUVERCLES DE BÂTI
TAPAS DEL BLOQUE



BUY NOW

**Then Instant Download
the Complete Manual
Thank you very much!**