

PARTS CATALOG

Backhoe Loader

695 Super M

CATALOGO PARTI DI RICAMBO

CATALOGUE PIECES DE RECHANGE

ERSATZTEILKATALOG

CATALOGO DE PIEZAS DE REPUESTO

CATALOGO DE PEÇAS SOBRESSALENTES

RESERVEDELSKATALOG

ONDERDELENLIJST

7-7650

1st Edition 01 - 2002



TABLE OF CONTENTS

MAIN		SECTIONS
SEC. 01		ENGINE
0.02.1	01	ENGINE ASSEMBLY, MOUNTS & GASKET KITS
0.04.0	01	ENGINE BLOCK, PLUGS & CYLINDER SLEEVES
0.04.2	01	OIL PAN
0.04.3	01	ENGINE COVERS & GASKETS, FRONT & REAR
0.04.5	01	ENGINE BREATHER
0.06.0	01	CYLINDER HEAD & VALVE SEATS
0.06.0	02	ROCKER ARM, COVER & VALVES
0.07.0	01	ENGINE LIFT BRACKETS, INTAKE & EXHAUST MANIFOLD
0.08.0	01	CRANKSHAFT
0.08.2	01	PISTON & CONNECTING ROD
0.08.4	01	DAMPER & FLYWHEEL
0.10.0	01	CAMSHAFT & DRIVE GEARS
0.14.0	01	FUEL INJECTION PUMP, INJECTORS, FUEL LINES & FILTER
0.14.0	02	FUEL INJECTION PUMP, FILTER, & WATER SEPARATOR LINES
0.14.0/ A	01	ELECTRIC LIFT PUMP & FUEL FILTER ASSEMBLY
0.24.0	01	TURBOCHARGER ATTACHING GROUP & OIL LINES
0.24.0/ A	01	TURBOCHARGER
0.30.0	01	OIL PUMP
0.30.2	01	ENGINE OIL FILTER
0.31.0	01	OIL COOLER & HOSES
0.34.7	01	WATER PUMP, THERMOSTAT & FAN
0.34.7/ A	01	WATER PUMP
0.36.0	01	STARTER ATTACHING GROUP
0.36.0/ A	01	STARTER, BOSCH
0.36.0/ B	01	STARTER, ISKRA
0.40.0	01	ALTERNATOR MOUNTING BRACKETS
0.40.0/ A	01	ALTERNATOR
SEC. 02		FUEL TANK - MUFFLER - RADIATOR - AIR CLEANER
1.14.0	01	FUEL TANK & RELATED PARTS
1.15.0	01	MUFFLER & EXTENSIONS
1.17.0	01	RADIATOR, & EXPANSION TANK
1.17.0	02	RADIATOR GUARDS & SUPPORTS
1.17.2	01	RADIATOR HOSES
1.19.1	01	AIR CLEANER & HOSES
1.21.4	01	BACKHOE CARRIAGE, SIDE SHIFT
1.21.5	01	TRACTOR CHASSIS, CENTER PIVOT
1.21.5	02	STABILIZER ARMS, CENTER PIVOT
1.21.5/ 1	01	TRACTOR CHASSIS & STABILIZER ARMS, SIDE SHIFT
1.21.5/ 1	02	TRANSMISSION & BACKHOE SUPPORT, SIDE SHIFT
1.21.5/ 1	03	STABILIZER WEAR PLATES, SIDE SHIFT
SEC. 03		TRANSMISSION
1.28.0	01	TRANSMISSION ASSEMBLIES & MOUNTS
1.28.0/ A	01	POWER-SHIFT, TORQUE CONVERTER HOUSING, OIL FILTER & OIL BAFFLE
1.28.0/ A	02	POWER-SHIFT, TORQUE CONVERTER HOUSING PLUGS
1.28.0/ A	03	POWER-SHIFT, TRANSMISSION CASE PLUGS & ATTACHING PARTS
1.28.0/ A	04	POWER-SHIFT, HYDRAULIC PUMP DRIVE SHAFT & INPUT SHAFT
1.28.0/ A	05	POWER-SHIFT, TORQUE CONVERTER, CHARGE PUMP & DRIVE PLATES
1.28.0/ A	06	POWER-SHIFT, FOWARD LOW HIGH SHAFT & RELATED PARTS
1.28.0/ A	07	POWER-SHIFT, FOWARD LOW HIGH SHAFT GEARS
1.28.0/ A	08	POWER-SHIFT, 1ST REVERSE SHAFT & RELATED PARTS
1.28.0/ A	09	POWER-SHIFT, 1ST REVERSE SHAFT GEARS
1.28.0/ A	10	POWER-SHIFT, 2ND CLUTCH GEAR & SHAFT RELATED PARTS
1.28.0/ A	11	POWER-SHIFT, 2ND CLUTCH SHAFT & OUTPUT GEARS

TABLE OF CONTENTS

1.28.0/ A	12	POWER-SHIFT, 4WD FRONT OUTPUT SHAFT & DISCONNECT HUB
1.28.0/ A	13	POWER-SHIFT, 4WD OUTPUT SHAFT & RELATED PARTS
1.28.0/ A	14	POWER-SHIFT, PARKING BRAKE
1.28.0/ A	15	POWER-SHIFT, CONTROL VALVE COVER & ATTACHING GROUP
1.28.0/ A	16	POWER-SHIFT, CONTROL VALVE ASSEMBLY
1.28.6	01	POWER-SHIFT, DIPSTICK & FILLER TUBE
1.38.1	01	PROPELLER SHAFT
1.39.8	01	POWER-SHIFT, TRANSMISSION OIL COOLING HOSES
SEC. 04		FRONT AXLE
1.42.0	01	POWER STEERING HYDRAULIC HOSES & VALVE
1.42.0/ A	01	POWER STEERING VALVE
SEC. 05		SIDE REDUCTION
SEC. 06		ELECTRICAL SYSTEM
1.74.1	01	SINGLE BATTERY & CABLES
1.74.1/ 1	01	TWIN BATTERY & CABLES
1.75.2	01	CHASSIS HARNESS & GROUND WIRE
1.75.2	02	BATTERY LOCK-OUT SWITCH & GROUND WIRE
1.75.2	03	ENGINE HARNESS
1.75.2/ 1	01	BATTERY REMOTE CONNECTION
SEC. 07		SLIDES VALVES
1.82.0	01	HYDRAULIC OIL RESERVOIR
1.82.3	01	HYDRAULIC PUMP
1.82.6	01	FRONT HYDRAULIC PUMP INTAKE & OUTLET HOSES, CENTER PIVOT
1.82.6	02	REAR HYDRAULIC PUMP LOADER & BACKHOE VALVE HOSES, CENTER PIVOT
1.82.6	03	QUICK RELEASE COUPLERS & HOSES, CENTER PIVOT
1.82.6	04	RETURN MANIFOLD HOSES, CENTER PIVOT
1.82.6	05	OIL COOLER & FILTER HOSES, CENTER PIVOT
1.82.6	06	FILTER ASSEMBLY & HOSE TO RETURN MANIFOLD, CENTER PIVOT
1.82.6	07	LOADER LIFT CYLINDER HYDRAULIC LINES, CENTER PIVOT
1.82.6	08	LOADER BUCKET CYLINDER HYDRAULIC LINES, CENTER PIVOT
1.82.6	09	BACKHOE SWING CYLINDER HOSES, CENTER PIVOT
1.82.6	10	BACKHOE CONTROL VALVE HOSES, CENTER PIVOT
1.82.6	11	BACKHOE LIFT CYLINDER HOSES, CENTER PIVOT
1.82.6	12	ROTATION PLATE HOSE CLAMPS, CENTER PIVOT
1.82.6	13	BACKHOE CONTROL VALVE TO RESERVIOR HOSE, CENTER PIVOT
1.82.6/ 1	01	FRONT HYDRAULIC PUMP INTAKE & OUTLET HOSES, SIDE SHIFT
1.82.6/ 1	02	REAR HYDRAULIC PUMP LOADER & BACKHOE VALVE HOSES, SIDE SHIFT
1.82.6/ 1	03	QUICK RELEASE COUPLERS & HOSES, SIDE SHIFT
1.82.6/ 1	04	RETURN MANIFOLD & BACKHOE TO LOADER VALVE HOSES, SIDE SHIFT
1.82.6/ 1	05	OIL COOLER & FILTER HOSES, SIDE SHIFT
1.82.6/ 1	06	FILTER ASSEMBLY & HOSE TO RETURN MANIFOLD, SIDE SHIFT
1.82.6/ 1	07	LOADER LIFT CYLINDER HYDRAULIC LINES, SIDE SHIFT
1.82.6/ 1	08	LOADER BUCKET CYLINDER HYDRAULIC LINES, SIDE SHIFT
1.82.6/ 1	09	BACKHOE SWING CYLINDER HOSES, SIDE SHIFT
1.82.6/ 1	10	BACKHOE CONTROL VALVE HOSES, SIDE SHIFT
1.82.6/ 1	11	BACKHOE LIFT CYLINDER HOSES, SIDE SHIFT
1.82.6/ 1	12	ROTATION PLATE PINS & SUPPORT, SIDE SHIFT
1.82.6/ 1	13	CLAMP CYLINDER HYDRAULIC LINES, SIDE SHIFT
1.82.6/ 1	14	BACKHOE CONTROL VALVE TO RESERVIOR HOSE, SIDE SHIFT
SEC. 08		BODY & HOOD
1.83.0	01	HOOD, GRILLE & RELATED PARTS
1.87.2	01	EXTERIOR CAB TRIM
1.87.8	01	CAB MOUNTS
SEC. 09		BACKHOE 1/3
SEC. 09	01	BACKHOE 2/3

TABLE OF CONTENTS

SEC. 09	02	BACKHOE 3/3
1.88.01	01	TRANSPORT LOCK TRANSMISSION HOSES
1.88.01	02	TRANSPORT LOCK VALVE, CYLINDER & HOSE
1.88.01/ A	01	TRANSPORT LOCK CYLINDER
1.88.08	01	SWING POST ASSEMBLY, BUSHINGS & PINS
1.88.08	02	SWING POST PINS & TRANSPORT LOCK HOOK
1.88.09	01	BACKHOE CONTROL VALVE SUPPORT
1.88.11	01	LOADER ARM & BUSHINGS
1.88.11	02	LOADER ARM LINKS & SAFETY PROP
1.88.11	03	LOADER BUCKET CYLINDER LINKS
1.88.11/ 1	01	LOADER LIFT CYLINDER
1.88.11/ 2	01	LOADER BUCKET CYLINDER
1.88.11/ 3	01	BACKHOE LIFT & BUCKET CYLINDER TUBES
1.88.11/ 6	01	STABILIZER CYLINDER, CENTER PIVOT
1.88.11/ 6A	01	STABILIZER CYLINDER, SIDE SHIFT
1.88.11/ 7	01	STABILIZER CYLINDER HYDRAULIC LINES & LOCK-OUT VALVE, CENTER PIVOT
1.88.11/ 7A	01	STABILIZER CYLINDER HYDRAULIC LINES, SIDE SHIFT
1.88.11/ 8	01	RETURN TO DIG SENSOR
1.88.11/ 9	01	ROTATION PLATE & BACKHOE SWING CYLINDERS
1.88.11/ 9A	01	BACKHOE SWING CYLINDERS
1.88.12/ 3	01	LOADER CONTROL LEVER, LINKAGE & VALVE SUPPORT
SEC. 10		BODY, HOOD & DRIVER'S POST 1/3
SEC. 10	01	BODY, HOOD & DRIVER'S POST 2/3
SEC. 10	02	BODY, HOOD & DRIVER'S POST 3/3
1.91.1	01	INTERIOR LIGHT, CAB
1.91.3	01	BACK-UP ALARM
1.91.4	01	IGNITION SWITCH, POWER POINT, FUSE PANEL & SIDE CONSOLE HARNESS
1.91.4	02	IGNITION SWITCH, POWER POINT, FUSE PANEL & SIDE CONSOLE HARNESS
1.91.4	03	IGNITION SWITCH, POWER POINT, FUSE PANEL & SIDE CONSOLE HARNESS
1.91.4	04	IGNITION SWITCH, POWER POINT, FUSE PANEL & SIDE CONSOLE HARNESS
1.91.4	05	IGNITION SWITCH, POWER POINT, FUSE PANEL & SIDE CONSOLE HARNESS
1.91.4	06	FRONT DASH
1.91.4	07	IGNITION SWITCH, POWER POINT, FUSE PANEL & SIDE CONSOLE HARNESS
1.91.5	01	WINDSHIELD WIPER MOTOR AND ARM, FRONT & REAR
1.91.5	02	WINDSHIELD WIPER RESERVOIR & NOZZLES
1.91.6	01	RADIO ANTENNA & SPEAKER COVER
1.91.7	01	TURN SIGNAL & HEADLIGHTS
1.91.7	02	REAR WORK & TAILLIGHTS
1.91.8	01	FIRE EXTINGUISHER SUPPORT
1.92.1	01	CAB & DOOR FRAMES
1.92.3	01	FRONT & SMALL SIDE WINDOWS
1.92.4	01	TOP DOOR WINDOW HINGE & SUPPORT
1.92.4	02	REAR SIDE WINDOW HINGE & SUPPORT
1.92.4	03	TOP DOOR & SIDE REAR WINDOWS
1.92.5	01	FENDERS, REAR
1.92.6	01	DOOR SEAL & LOCK ASSEMBLY
1.92.6	02	BOTTOM DOOR WINDOW & HANDLE
1.92.6	03	DOOR SHOCK ABSORBER & HINGE PIN
1.92.9	01	REAR WINDOW, FRAME & SEAL
1.92.9	02	REAR WINDOW SUPPORT & SHOCK ABSORBER
1.92.9	03	REAR WINDOW LOCK
1.93.0	01	RH INTERIOR TRIM
1.93.0	02	LH INTERIOR TRIM
1.93.0	03	FLOORMAT & DOOR MOLDING
1.93.0	04	BACKHOE CONSOLE, FLOORMAT & FIREWALL SEAL

TABLE OF CONTENTS

1.93.4	01	REAR-VIEW MIRRORS & SUN SCREEN
1.93.5	01	FRONT CONSOLE
1.93.5	02	RH SIDE CONSOLE SEAL & CLIPS
1.94.0	01	ROOF & HEADLINER, CAB
1.94.2	01	HEATER ASSEMBLY & FILTERS
1.94.2	02	HEATER WATER HOSES
1.94.2	03	AIR DUCTS & VENTS
1.94.2	04	HEATER CONTROL PANEL
1.94.2	05	HEATER HOUSING, COIL, BLOWER & VALVE
1.95.0	01	BRAKE PEDAL, SUPPORT & SWITCH
1.95.0	02	MASTER BRAKE CYLINDER, RESERVOIR & HOSES
1.95.0	03	MASTER BRAKE CYLINDER & REAR AXLE BRAKE LINES
1.95.0/ A	01	MASTER BRAKE CYLINDER
1.95.1	01	PARKING BRAKE LEVER & CABLE
1.95.3	01	HAND & FOOT THROTTLE CONTROLS
1.95.5	01	POWER STEERING MOTOR, WHEEL & COLUMN
1.95.5	02	POWER STEERING MOTOR HOSES
1.95.5/ A	01	POWER STEERING MOTOR
1.96.0	01	FOWARD/REVERSE & MULTI-PURPOSE LEVER
1.96.2	01	STABILIZER CONTROL LEVER & CABLE
1.96.7	01	CAB PLUGS, FLOOR PLATES & AIR CONVEYER
1.98.0	01	INFORMATION SYMBOL DECALS
1.98.0	02	WARNING SYMBOL DECALS
1.98.0	03	CAB WARNING & INFORMATION DECALS
1.98.0	04	FOWARD/REVERSE & STEERING DECALS
1.98.1	01	MODEL IDENTIFICATION
1.99.0	01	SLOW MOVING VECHILE DECAL & BRACKETS
SEC. 11		WHEELS
85.00	01	WHEELS
SEC. 18		VARIATION
128	01	APPROVAL FOR ITALY
128	02	APPROVAL FOR ITALY
128	03	APPROVAL FOR ITALY
128	04	APPROVAL FOR ITALY
129	01	BACKHOE CONTROL LOCK, GERMANY
129	02	STABILIZER CONTROL LOCK & SAFETY DECAL, GERMANY
129	03	BACKHOE BUCKET LOCK, LOAD PANEL & REFLECTOR, GERMANY
129	04	LOADER BUCKET TIE-ROD LOCK, PROTECTOR & LOWERING BLOCK, GERMANY
129	05	WHEEL CHOCK,GERMANY
129	06	BACKHOE BUCKET DIPPER LOCK, GERMANY
130	01	BACKHOE CONTROL LOCK & REGISTRATION PLATE BRACKET, EUROPE
130	02	STABILIZER CONTROL LOCK & ROTATING BEACON, EUROPE
130	03	LOADER BUCKET TIE-ROD LOCK & LOWERING BLOCK, EUROPE
140	01	TIE DOWN STRAP & LOADER BUCKET PROTECTOR, UK
140	02	BACKHOE BUCKET DIPPER LOCK & ROTATING BEACON, UK
140	03	LOADER BUCKET TIE-ROD LOCK & LOWERING BLOCK, UK
140	04	BACKHOE CONTROL LOCK & REGISTRATION PLATE BRACKET, UK
140	05	STABILIZER CONTROL LOCK, UK
141	01	LOADER BUCKET PROTECTOR & ROTATING BEACON, FRANCE
141	02	STABILIZER CONTROL LOCK, FRANCE
141	03	LOADER BUCKET TIE-ROD LOCK & LOWERING BLOCK, FRANCE
141	04	BACKHOE CONTROL LOCK & REGISTRATION PLATE BRACKET, FRANCE
168	01	SPARK ARRESTER & EXHAUST PIPE
197	01	PRE-CLEANER
200-201	01	LIFTING HOOKS, BACKHOE & LOADER

TABLE OF CONTENTS

218	01	BACKWARD BUCKET "TRENCHING" L=270MM
219	01	BACKWARD BUCKET "TRENCHING" L=300MM
220	01	BACKWARD BUCKET "TRENCHING" L=400MM
221	01	BACKWARD BUCKET "TRENCHING" L=450MM
222	01	BACKWARD BUCKET "TRENCHING" L=600MM
223	01	BACKWARD BUCKET "TRENCHING" L=750MM
224	01	BACKWARD BUCKET "TRENCHING" L=900MM
225	01	BACKWARD BUCKET "DITCH CLEANING" L=1200MM
226	01	BACKWARD BUCKET "DITCH CLEANING" L=1500MM
227	01	BACKWARD BUCKET "HEAVY DUTY L= 610MM.
231	01	FRONT COUNTERWEIGHT
300	01	BACKHOE CONTROL VALVE, 6 SECTIONS, CENTER PIVOT
300	02	BACKHOE CONTROL VALVE, INLET SECTION, CENTER PIVOT
300	03	BACKHOE CONTROL VALVE, BOOM SECTION, SIDE SHIFT
300	04	BACKHOE CONTROL VALVE, SWING SECTION, CENTER PIVOT
300	05	BACKHOE CONTROL VALVE, BUCKET SECTION, CENTER PIVOT
300	06	BACKHOE CONTROL VALVE, CROWD SECTION, CENTER PIVOT
300	07	BACKHOE CONTROL VALVE, STABILIZER SECTION, CENTER PIVOT
301	01	BACKHOE CONTROL VALVE, 6 SECTIONS, SIDE SHIFT
301	02	BACKHOE CONTROL VALVE, STABILIZER SECTION, SIDE SHIFT
301	03	BACKHOE CONTROL VALVE, OUTLET SECTION, SIDE SHIFT
302	01	LOADER CONTROL VALVE, 2 SECTIONS
302	02	LOADER CONTROL VALVE, INLET SECTION
302	03	LOADER CONTROL VALVE, BOOM SECTION
302	04	LOADER CONTROL VALVE, BUCKET SECTION
304	01	BACKHOE BUCKET CYLINDER LOCK VALVE & TUBING
304	02	BACKHOE LIFT CYLINDER LOCK VALVE & TUBING
304	03	LOCK VALVE HARNESS & DECAL
311	01	STABILIZER CYLINDER - LOCK VALVE, SIDE SHIFT
339	01	LOADER CONTROL VALVE
339	02	LOADER CONTROL VALVE, INLET SECTION
339	03	LOADER CONTROL VALVE, BOOM SECTION
339	04	LOADER CONTROL VALVE, BUCKET SECTION
339	05	LOADER CONTROL VALVE, 4X1 & 6X1 BUCKET SECTION
339	06	LOADER CONTROL VALVE, OUTLET SECTION
343	01	LOADER CONTROL VALVE, CONTROL LEVER & CABLE
367	01	CUT-OFF VALVE PARTS
368	01	2 LEVER NH BACKHOE CONTROLS, LEVER, BOOT & DECALS
368	02	2 LEVER NH BACKHOE CONTROLS, LEVER, BOOT & DECALS
369	01	2 LEVER ISO BACKHOE CONTROLS, LEVER, BOOT & DECALS
369	02	2 LEVER ISO BACKHOE CONTROLS, LEVER, BOOT & DECALS
371	01	2 LEVER JCB 4WS BACKHOE CONTROLS, LEVER, BOOT & DECALS
371	02	2 LEVER JCB 4WS BACKHOE CONTROLS, LEVER, BOOT & DECALS
371	03	2 LEVER JCB 4WS BACKHOE CONTROLS, LEVER, BOOT & DECALS
392	01	BACKHOE LIFT & DIPPERSTICK CYLINDER LOCK VALVE
392	02	BACKHOE LIFT & DIPPERSTICK CYLINDER LOCK VALVE
393	01	BACKHOE LIFT CYLINDER LOCK VALVE
400	01	STANDARD AXLES, FRONT & REAR
400/ A	01	REAR AXLE, RH & CENTER HOUSING
400/ A	02	REAR AXLE, LH HOUSING & BUSHINGS
400/ A	03	REAR AXLE, RH SWIVEL HOUSING, STEERING CYLINDER & SENSOR
400/ A	04	REAR AXLE, LH SWIVEL HOUSING
400/ A	05	REAR AXLE, RING GEAR & PINION ASSEMBLY
400/ A	06	REAR AXLE, PINION SHIMS
400/ A	07	REAR AXLE, DIFFERENTIAL

TABLE OF CONTENTS

400/ A	08	REAR AXLE, DRIVE SHAFT
400/ A	09	REAR AXLE, BRAKES
400/ A	10	REAR AXLE, WHEEL CARRIER & HUB
400/ A	11	REAR AXLE, PLANETARY GEARS & COVER
400/ B	01	4WD FRONT AXLE, HOUSING & DIFFERENTIAL SUPPORT
400/ B	02	4WD FRONT AXLE, FRONT SUPPORT & BUSHINGS
400/ B	03	4WD FRONT AXLE, SWIVEL HOUSING, STEERING CYLINDER & SENSOR
400/ B	04	4WD FRONT AXLE, RING GEAR & PINION ASSEMBLY
400/ B	05	4WD FRONT AXLE, PINION SHIMS
400/ B	06	4WD FRONT AXLE, DIFFERENTIAL
400/ B	07	4WD FRONT AXLE, DRIVE SHAFT
400/ B	08	4WD FRONT AXLE, WHEEL CARRIER & HUB
400/ B	09	4WD FRONT AXLE, PLANETARY GEARS & COVER
401	01	SELF-LOCKING AXLES, FRONT & REAR
401/ A	01	SELF-LOCKING REAR AXLE, DIFFERENTIAL
401/ B	01	SELF-LOCKING FRONT AXLE, DIFFERENTIAL
462	01	BACKHOE BOOM & RELATED PARTS
462	02	BOOM LIFT & CROWD CYLINDER HYDRAULIC LINES
462	03	BACKHOE DIPPERSTICK & RELATED PARTS
462	04	BUCKET CYLINDER HYDRAULIC LINES
462	05	DIPPERSTICK BUCKET LINKAGE
462	06	BOOM LIFT & BUCKET CYLINDER TUBING
462/ A	01	BUCKET CYLINDER
462/ B	01	CROWD CYLINDER
462/ C	01	BOOM LIFT CYLINDER
463	01	BACKHOE BOOM & RELATED PARTS
463	02	BOOM LIFT & CROWD CYLINDER HYDRAULIC LINES
463	03	HED DIPPERSTICK BUCKET CYLINDER HYDRAULIC LINES
463	04	HED DIPPERSTICK BUCKET LINKAGE
463	05	BOOM LIFT & BUCKET CYLINDER TUBING
463	06	HED DIPPERSTICK ASSEMBLY
463	07	HED DIPPERSTICK CYLINDER & TUBING
469	01	6X1 BUCKET (1.15 M3) WITH BLADE
469	02	6X1 BUCKET (1.15 M3) WITH BLADE
469/ A	01	4X1 & 6X1 BUCKET HYDRAULIC CYLINDER
470	01	6X1 BUCKET (1.15 M3) WITH TINE
470	02	6X1 BUCKET (1.15 M3) WITH TINE
475	01	4X1 BUCKET (1.15 M3) WITH BLADE
475	02	4X1 BUCKET (1.15 M3) WITH BLADE
476	01	4X1 BUCKET (1.15 M3) WITH TINE
476	02	4X1 BUCKET (1.15 M3) WITH TINE
500	01	1,13 M3 LOADER BUCKET
501	01	1,13 M3 LOADER BUCKET WITH TINES
502	01	1,13 M3 LOADER BUCKET REVERSIBLE CUTTING EDGE
505	01	REVERSIBLE CUTTING EDGE
529	01	STABILIZER FOOT, STREET PAD
530	01	STABILIZER FOOT, DIRT
533	01	1.15 MC LOADER BUCKET CUTTING EDGE
533	02	1.15 MC LOADER BUCKET FORKS
534	01	1,15 MC LOADER BUCKET REVERSIBLE CUTTING EDGE
534	02	1,15 MC LOADER BUCKET FORKS
535	01	STABILIZER FOOT, DIRT CLEAT
535/ 1	01	1.15 MC LOADER BUCKET CUTTING EDGE & TEETH
535/ 1	02	1.15 MC LOADER BUCKET FORKS
536	01	REVERSIBLE STABILIZER FOOT, CENTER PIVOT

TABLE OF CONTENTS

537	01	STABILIZER FOOT, STREET PAD, CENTER PIVOT
555	01	LOADER BUCKET TEETH
599	01	STABILIZER FOOT, ASPHALT, SIDE SHIFT
606	01	STABILIZER FOOT, DIRT, SIDE SHIFT
622	01	INTERNAL FAN
628	01	DIAGNOSIS KIT
642-643	01	ALTERNATOR ATTACHING GROUP
642-643	02	A/C COMPRESSOR ATTACHING GROUP
642-643	03	A/C POLY "V" BELTS
642-643	04	A/C ACCUMULATOR & FILTER
642-643	05	A/C HOUSING & FILTERS
642-643	06	A/C BLOWER & COILS
642-643	07	A/C DRYER FILTER HOSES
642-643	08	A/C COMPRESSOR HOSES
642-643	09	HEATER COIL HOSES
642-643	10	A/C & HEATER CONTROL PANEL
642-643	11	A/C & HEATER CONSOLE DUCTS
642-643	12	A/C & HEATER CONVEYOR
642-643	13	A/C HOUSING SIDE PANELS
642-643	14	RH CONSOLE VENTS & WINDSHIELD WIPER RESERVOIR BRACKETS
642-643/ A	01	A/C COMPRESSOR
642-643/ 1	01	EGS CONTROL, 20 & 40KM/H
649	01	1.15 BUCKET FORK KIT, CONVERTS 4X1 BUCKET TO 6X1
673	01	RH CONSOLE WITH INSTRUMENTS
674	01	RH CONSOLE WITH INSTRUMENTS AND DIAGNOSTICS
678	01	2 REAR WORKING LIGHTS
679	01	2 FRONT WORKING LIGHTS
694	01	BACKHOE QUICK MECHANICAL COUPLER
700	01	4X1 & 6X1 BUCKET CONTROL LEVER, CABLE & DECALS
700	02	4X1 & 6X1 BUCKET HYDRAULIC LINES
702	01	BACKHOE CONTROL VALVE, 7 SECTIONS, SIDE SHIFT
702	02	BACKHOE CONTROL VALVE, SECTION, SIDE SHIFT
702	03	VALVE SECTION HOSES, SIDE SHIFT
702	04	CYLINDER PISTON END HYDRAULIC LINES, SIDE SHIFT
702	05	CYLINDER ROD END HYDRAULIC LINES, SIDE SHIFT
702	06	FOOT PEDAL AND LINKAGE, SIDE SHIFT
702/ 1	01	BACKHOE CONTROL VALVE, SEVENTH SECTION KIT, SIDE SHIFT
703	01	BACKHOE CONTROL VALVE, 7 SECTIONS, CENTER PIVOT
703	02	BACKHOE CONTROL VALVE SECTION HOSES, CENTER PIVOT
703	03	CYLINDER PISTON END HYDRAULIC LINES, CENTER PIVOT
703	04	CYLINDER ROD END HYDRAULIC LINES, CENTER PIVOT
703	05	FOOT PEDAL AND LINKAGE, CENTER PIVOT
703/ 1	01	BACKHOE CONTROL VALVE, SEVENTH SECTION KIT, CENTER PIVOT
704-728	01	MANUAL HAMMER ON/OFF SWITCH, VALVE & HOSES
704-728	02	MANUAL HAMMER OIL RESERVOIR & RETURN MANIFOLD HOSES
704/ A	01	MANUAL HAMMER VALVE
705	01	SEAT BELTS, 2"
707	01	4X1 & 6X1 BUCKET VALVE SECTION HYDRAULIC LINES
707	02	4X1 & 6X1 BUCKET LOADER ARM HYDRAULIC TUBES
708	01	LOADER CONTROL VALVE, THIRD SECTION, 4X1 & 6X1 BUCKET
709	01	BACKHOE CONTROL VALVE, SEVENTH SECTION KIT, HED
724	01	DEMOLITION HAMMER CONTROL VALVE HOSES & FOOT PEDAL, SIDE SHIFT
724	02	DEMOLITION HAMMER CONTROL VALVE HOSES & FOOT PEDAL, CENTER PIVOT
724	03	DEMOLITION HAMMER BOOM HYDRAULIC LINES
724/ A	01	DEMOLITION HAMMER CONTROL VALVE

TABLE OF CONTENTS

725-727	01	HAMMER KIT FROM LIFTING ARM TO DITCHING ARM
727/ 1	01	HED FOOT PEDAL, LINKAGE & DECALS
735	01	GLIDE RIDE VALVE, HOSES & ON/OFF SWITCH
735	02	GLIDE RIDE VALVE
735	03	GLIDE RIDE VALVE & SOLENOID
741	01	4X1 & 6X1 BUCKET CONTROL LEVER, CABLE & DECALS
741	02	4X1 & 6X1 BUCKET HYDRAULIC LINES
758	01	ROTATING BEACON
796	01	ANTITHEFT
873	01	DELUXE STANDARD SEAT WITH 2" BELT
874	01	SUPER DELUXE SEAT WITH 2" BELT
966	01	LICENSE PLATE BRACKET
990	01	TOOLS
995	01	ETHER COLD START VALVE & HOSES
995	02	ETHER COLD START ON/OFF SWITCH & VALVE SUPPORT

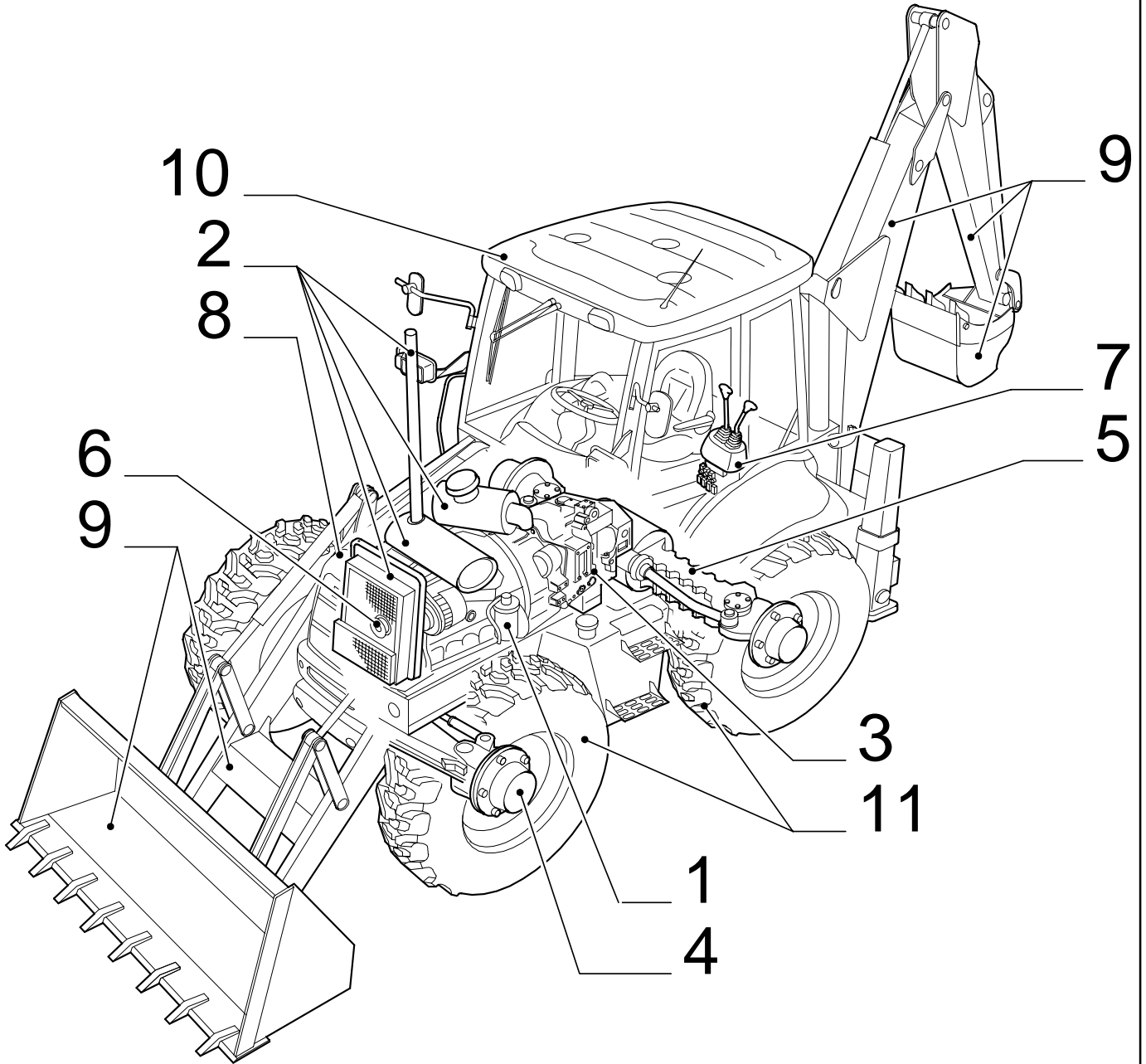
SECTION INDEX

MAIN

SECTIONS

SECTIONS
SEZIONI PRINCIPALI
SECTIONS PRINCIPALES
HAUPTABSCHNITTE

1



SECCIONES PRINCIPALES
SECÇÕES PRINCIPAIS
HOOFDSECTIES
HOVEDSEKTIONER

R	N	P.N.	MOD	Q	Description Denominacion	Descrizione Denominação	Description Beschrijving	Bezeichnung Beskrivelse	L.C.
---	---	------	-----	---	-----------------------------	----------------------------	-----------------------------	----------------------------	------

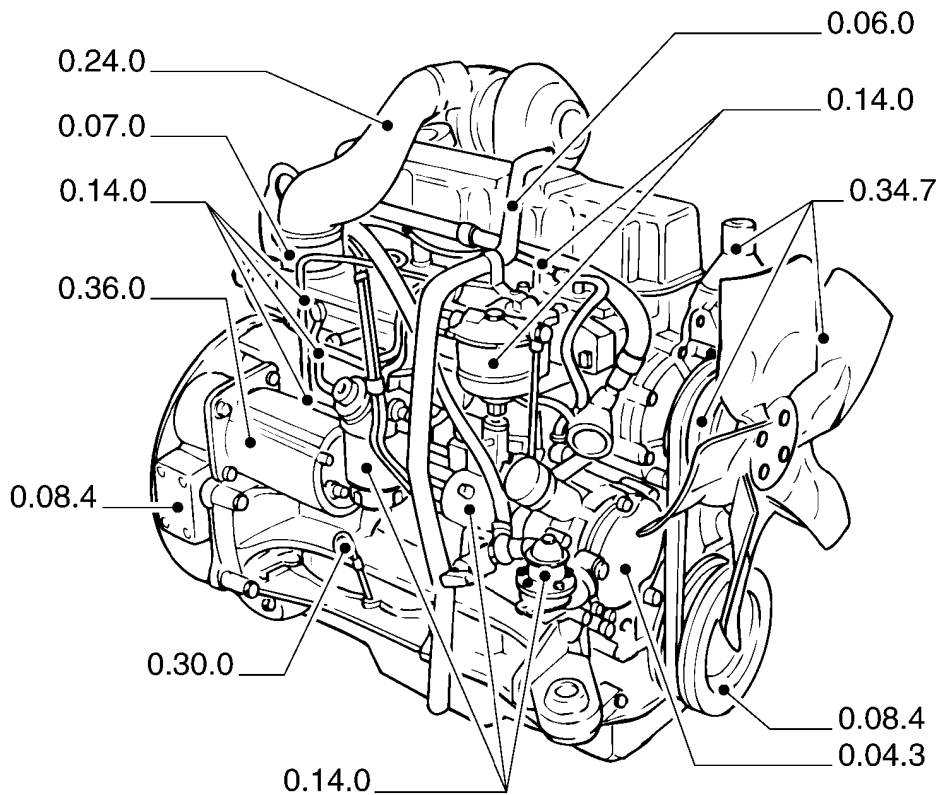
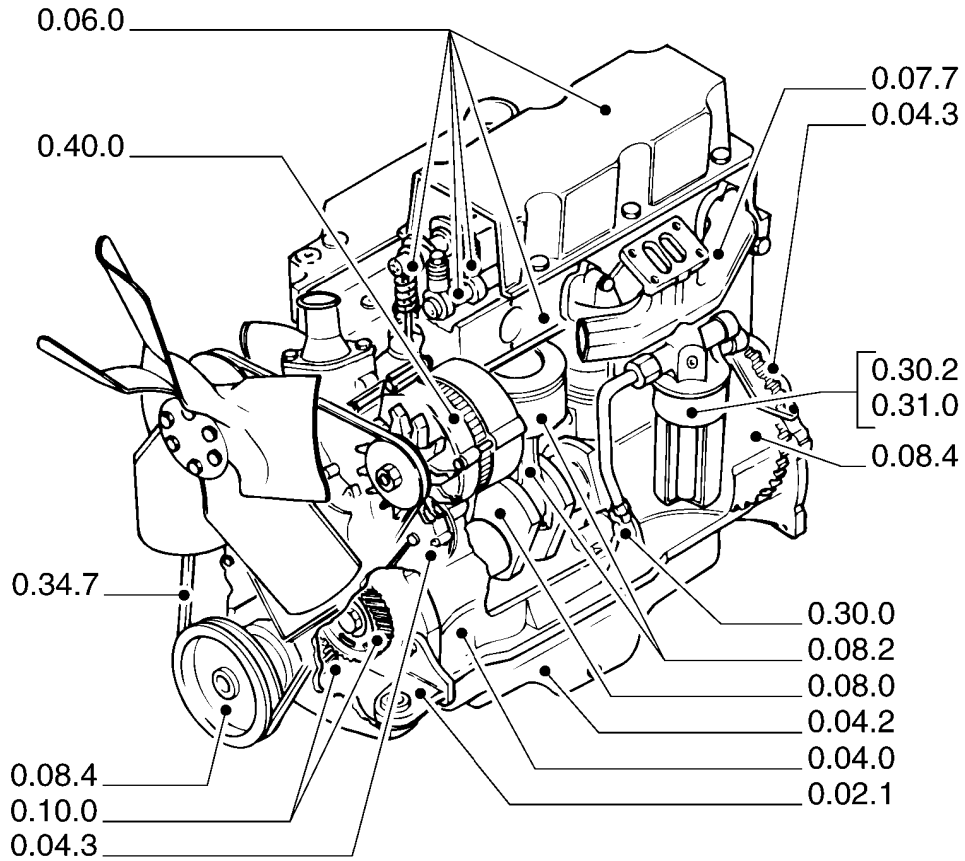
1**695 SUPER M**

SECTION INDEX

SEC. 01		ENGINE
0.02.1	01	ENGINE ASSEMBLY, MOUNTS & GASKET KITS
0.04.0	01	ENGINE BLOCK, PLUGS & CYLINDER SLEEVES
0.04.2	01	OIL PAN
0.04.3	01	ENGINE COVERS & GASKETS, FRONT & REAR
0.04.5	01	ENGINE BREATHER
0.06.0	01	CYLINDER HEAD & VALVE SEATS
0.06.0	02	ROCKER ARM, COVER & VALVES
0.07.0	01	ENGINE LIFT BRACKETS, INTAKE & EXHAUST MANIFOLD
0.08.0	01	CRANKSHAFT
0.08.2	01	PISTON & CONNECTING ROD
0.08.4	01	DAMPER & FLYWHEEL
0.10.0	01	CAMSHAFT & DRIVE GEARS
0.14.0	01	FUEL INJECTION PUMP, INJECTORS, FUEL LINES & FILTER
0.14.0	02	FUEL INJECTION PUMP, FILTER, & WATER SEPARATOR LINES
0.14.0/ A	01	ELECTRIC LIFT PUMP & FUEL FILTER ASSEMBLY
0.24.0	01	TURBOCHARGER ATTACHING GROUP & OIL LINES
0.24.0/ A	01	TURBOCHARGER
0.30.0	01	OIL PUMP
0.30.2	01	ENGINE OIL FILTER
0.31.0	01	OIL COOLER & HOSES
0.34.7	01	WATER PUMP, THERMOSTAT & FAN
0.34.7/ A	01	WATER PUMP
0.36.0	01	STARTER ATTACHING GROUP
0.36.0/ A	01	STARTER, BOSCH
0.36.0/ B	01	STARTER, ISKRA
0.40.0	01	ALTERNATOR MOUNTING BRACKETS
0.40.0/ A	01	ALTERNATOR

ENGINE
MOTORE
MOTEUR
MOTOR

2



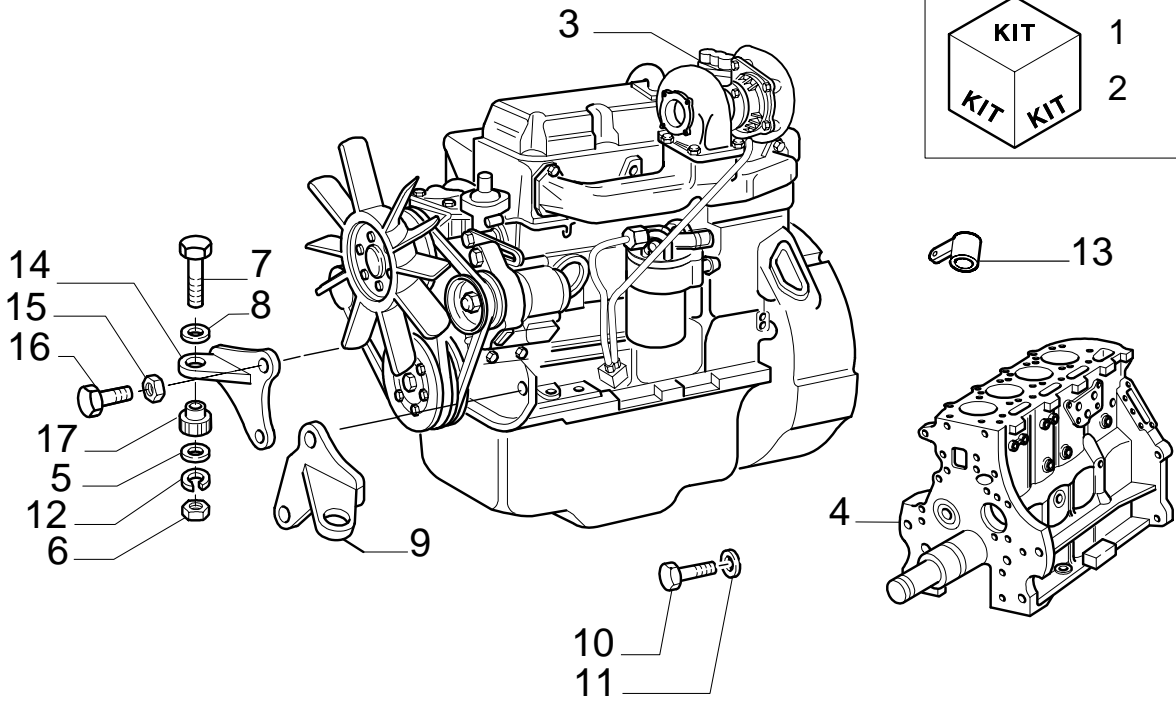
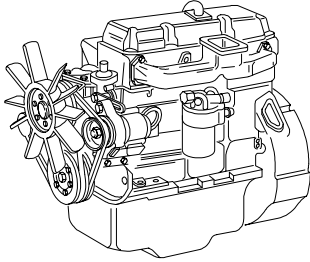
MOTOR
MOTOR
MOTOR
MOTOR

R	N	P.N.	MOD	Q	Description Denominacion	Descrizione Denominação	Description Beschrijving	Bezeichnung Beskrivelse	L.C.
---	---	------	-----	---	-----------------------------	----------------------------	-----------------------------	----------------------------	------

2**695 SUPER M**

ENGINE ASSEMBLY, MOUNTS & GASKET KITS
GRUPPO MOTORE, SUPPORTI E KIT GUARNIZIONI
GROUPE MOTEUR, SUPPORTS ET LOTS DE JOINTS
MOTOR AGGREGAT, LAGER UND DICHTUNGSSATZ

2



GRUPO MOTOR, SOPORTE Y JUEGO DE GUARNICIONES
 CONJUNTO DO MOTOR, SUPORTES E KIT DE VEDANTES
 MOTORGROEP, SUPPORTS EN KIT DICHTINGEN
 MOTORENHED, OPSPÆNDINGSANORDNINGER OG PAKNINGSSÆT

R	N	P.N.	MOD	Q	Description Denominacion	Descrizione Denominação	Description Beschrijving	Bezeichnung Beskrivelse	L.C.
1		82845282		1	KIT, ENGINE TOP GASK SERIE RECTIFIC. VALV	SERIE RETTIFICA VALV KIT RECTIFICACAO VAL	POCH. RECTIFIC. SOUP	VENTILNACHSCHLEIFSA	318S
2		82845283		1	KIT, ENGINE BOTTOM G SERIE GUARICION MOTO	SERIE GUARNIZIONI MO KIT JUNTAS DE MOTOR	KIT JOINTS DU MOTEUR	MOTORDICHTNGSSATZ	317S
3	1	87801556		1	ENGINE MOTOR	MOTORE MOTOR	MOTEUR	MOTOR	130M
4		87801135		1	ENGINE MOTOR	MOTORE MOTOR	MOTEUR	MOTOR	130M
5		85802618		2	WASHER, SEALING JUNTA HERMETICA	ROSETTA DI TENUTA JUNTA HERMETICA	RONDELLE D'ETANCHEI	DICHTRONDELLE	133R
6		16105021		2	NUT M12X1,25 TUERCA	DADO PORCA	ECROU	MUTTER	010D
7		15541424		2	SCREW M12X1,25 TORNILLO	VITE PARAFUSO	VIS	SCHRAUBE	040V
8		85801585		2	WASHER, SEALING JUNTA HERMETICA	ROSETTA DI TENUTA JUNTA HERMETICA	RONDELLE D'ETANCHEI	DICHTRONDELLE	133R
9		85801327		1	MOUNT, ENGINE LH SOPORTE MOTOR	SUPPORTO MOTORE SUPPORTO DE MOTOR	SUPPORT MOTEUR	MOTORBOCK	299S
10		80088604		2	SCREW 7/16"-14X2.50 TORNILLO	VITE PARAFUSO	VIS	SCHRAUBE	040V
10		81827627		4	BOLT 5/8"-11X2.50 TORNILLO	BULLONE PARAFUSO	BOULON	BOLZEN	140B
10		86565805		2	CAPSCREW 3/4"-16X2.12 TORNILLO CAB.HUECA	VITE PARAFUSO	VIS TETE HEXAGONALE	SECHSKANTSCHRAUBE	P136
11		11190879		2	WASHER 12X30 ARANDELA	ROSETTA PIANA ANILHA	RONDELLE PLATE	FLACHSCHEIBE	131R
11		80084057		4	WASHER 5/8" ARANDELA	ROSETTA PIANA ANILHA	RONDELLE PLATE	FLACHSCHEIBE	131R
12		80087340		2	WASHER, LOCK 3/4" ARANDELA DE FRENO	ROSETTA DI SICUREZZA ARRUELA	RONDELLE DE SECURIT	SICHERUNGSRING	132R
13		85802890		1	COLLAR, RETAINER PLACA DE SUJECION	STAFFETTA FISSAGGIO COLAR RETENTOR	BRIDE-FIXATION/COLLI	SCHALLE, HALTER	230S
14		85801326		1	SUPPORT RH SOPORTE	SUPPORTO SUPPORTO	SUPPORT	LAGERHALTER	300S
15		80280375		4	NUT Lock, GC, 3/4"-10 TUERCA	DADO PORCA	ECROU	MUTTER	010D
16		80281074		4	SCREW 3/4"-10X2.50 TORNILLO	VITE PARAFUSO	VIS	SCHRAUBE	040V
17		85804733		2	SILENTBLOC SILENTBLOC	SILENTBLOC SILENTBLOC	SILENT-BLOC	SILENTBLOCK	155S

(1) NOT INCLUDED: STARTING MOTOR, ALTERNATOR, FAN, FLYWHEEL, ETC.

695 SUPER M

0.04.0

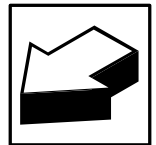
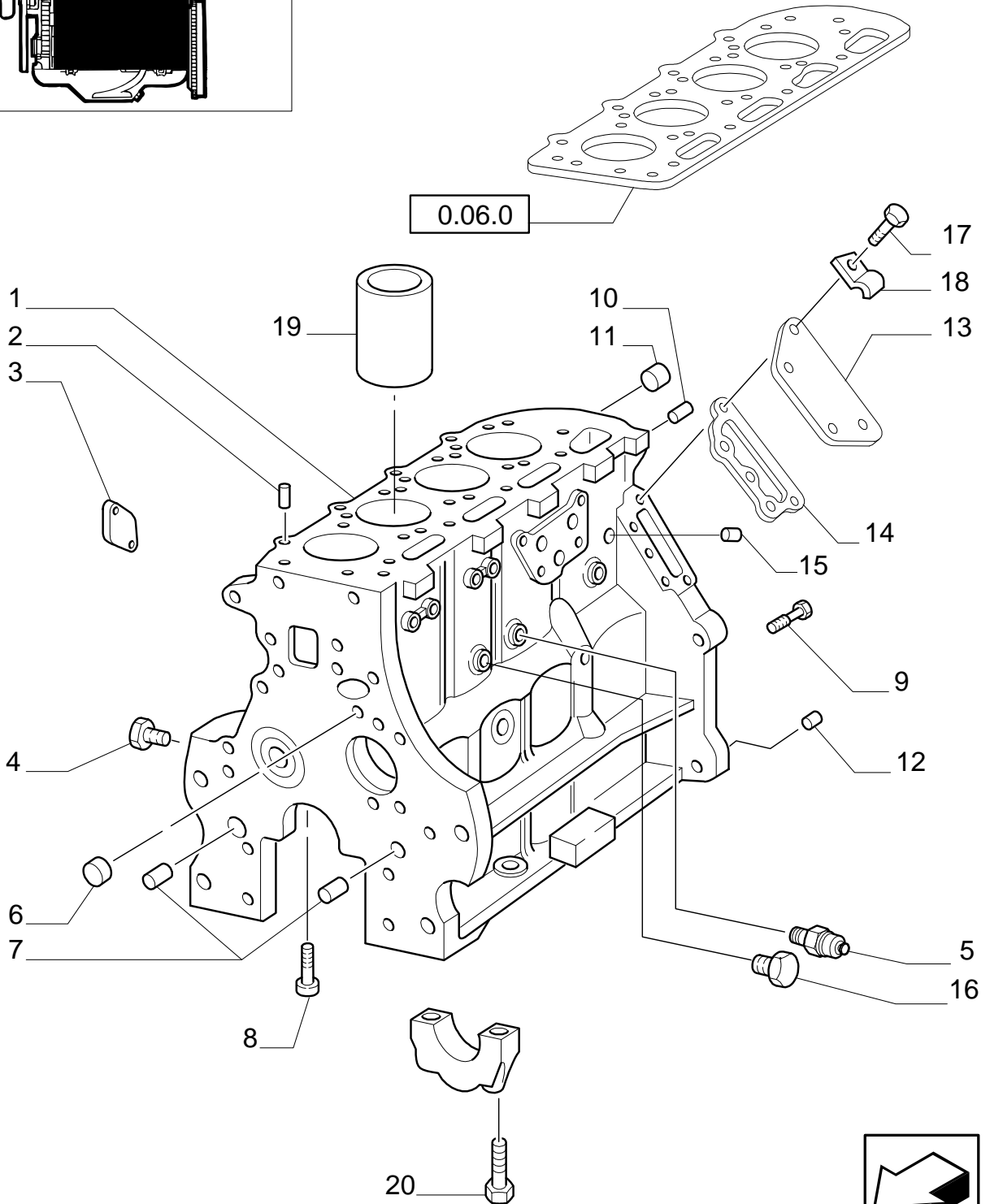
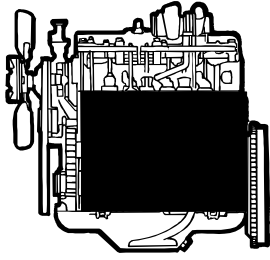
01

p1

10/01

ENGINE BLOCK, PLUGS & CYLINDER SLEEVES
BASAMENTO MOTORE, SPINE E CANNA CILINDRI
BAS MOTEUR, FICHES ET CHEMISES CYLINDRES
MOTORBLOCK, STECKER UND ZYLINDERBUCHSEN

2



BASE MOTOR, CLAVIJAS Y CAMISA CILINDROS
 BLOCO MOTOR, CAVILHAS E MANGAS DOS CILINDROS
 MOTORBLOK, STEKKERS EN HULSEN CILINDERS
 MOTORBLOK, STIK OG CYLINDERFORING

R	N	P.N.	MOD	Q	Description Denominacion	Descrizione Denominação	Description Beschrijving	Bezeichnung Beskrivelse	L.C.
1		87840861		1	CYLINDER BLOCK BLOQUE DE CILINDROS	BASAMENTO MOTORE BLOCO DE MOTOR	BLOC MOTEUR	ZYLINDERBLOCK	020B
2		83960218		2	DOWEL PITON	GRANO GUIA	ERGOT	PABSTIFT	090G
3		83957023		2	PLUG 1.50 TAPON	TAPPO BUJAO	BOUCHON	STOPFEN	050T
3		83957024	AR		PLUG 1.56 TAPON	TAPPO BUJAO	BOUCHON	STOPFEN	050T
3		83957025	AR		PLUG 1.75 TAPON	TAPPO BUJAO	BOUCHON	STOPFEN	050T
4		81868410		1	PLUG TAPON	TAPPO BUJAO	BOUCHON	STOPFEN	050T
5		81873524		1	SENDER UNIT CONTACTOR	TRASMETTITORE TRANSMISSOR	TRANSMETTEUR	RELAISBLOCK	160T
6		83956679		1	PLUG TAPON	TAPPO BUJAO	BOUCHON	STOPFEN	050T
6		83956680		1	PLUG HS, 1/2"-14 x .42" TAPON	TAPPO BUJAO	BOUCHON	STOPFEN	050T
7		81808472		2	PIN 3/8"x1.125 PERNO	PERNO PERNO	PIVOT	BOLZEN	080P
8		81876966		4	NOZZLE, LUBE OIL JET TOBERA	UGELLO PULVERIZADOR	GICLEUR	DUSE	020U
9		87800929		1	PLUG 1/8"-27 TAPON	TAPPO BUJAO	BOUCHON	STOPFEN	050T
10		82851790		1	PLUG TAPON	TAPPO BUJAO	BOUCHON	STOPFEN	050T
11		83957026	AR		PLUG 1.81 TAPON	TAPPO BUJAO	BOUCHON	STOPFEN	050T
12		86505157		2	DOWEL PITON	GRANO GUIA	ERGOT	PABSTIFT	090G
13		87840555		1	COVER TAPADERA	COPERCHIO COBERTA	COUVERCLE	DECKEL	265C
14		81822547		1	GASKET JUNTA HERMETICA	GUARNIZIONE JUNTA	JOINT	DICHTUNG	123G
15		82851791		1	PLUG TAPON	TAPPO BUJAO	BOUCHON	STOPFEN	050T
16		81868411		2	PLUG TAPON	TAPPO BUJAO	BOUCHON	STOPFEN	050T
17		83925618		4	SCREW 3/8"-16x0.75 TORNILLO	VITE PARAFUSO	VIS	SCHRAUBE	040V
18		83976853		1	CLIP SUJETADOR	FERMAGLIO FIXADOR	FERMOIR	KLEMME	045F
19		83998292		4	LINER, ENGINE CYLIND CAMISA	CANNA CILINDRI CAMISA DE CILINDRO	CHEMISE DE CYLINDRE	ZYLINDERLAUFBUCHSE	035C
20		87801692		10	BOLT TORNILLO	BULLONE PARAFUSO	BOULON	BOLZEN	140B

2

695 SUPER M

0.04.2

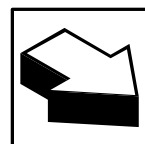
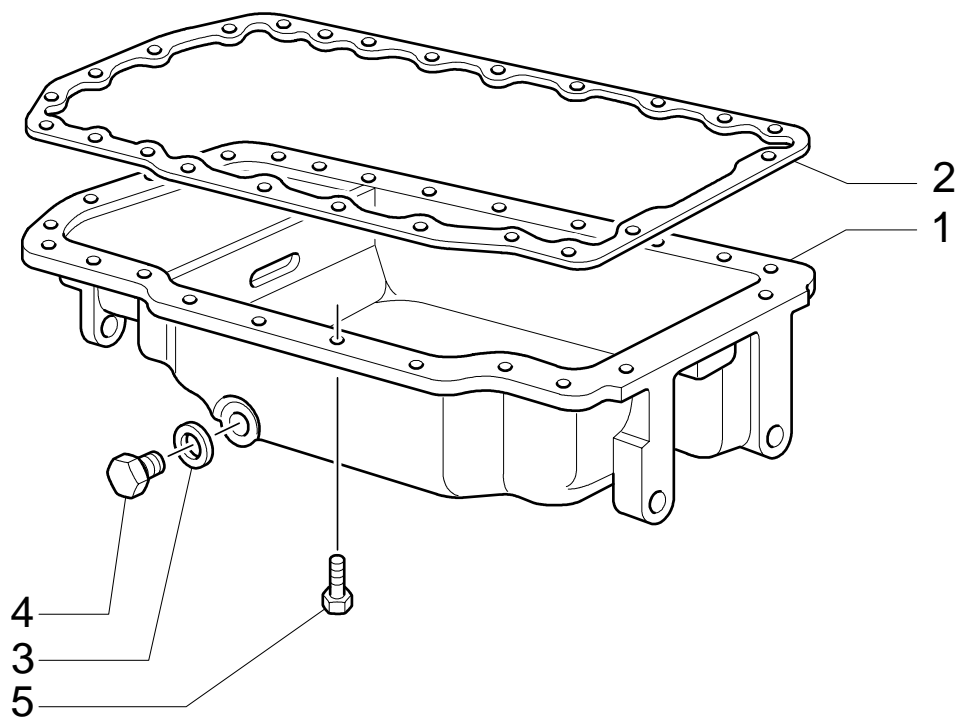
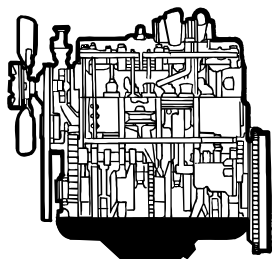
01

p1

10/01

OIL PAN
COPPA OLIO
CARTER A HUILE
ÖLWANNE

2



CARTER DE ACEITE
 CÂRTER DO ÓLEO
 OLIECARTER
 OLIESKÅL

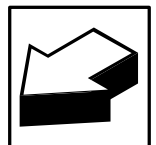
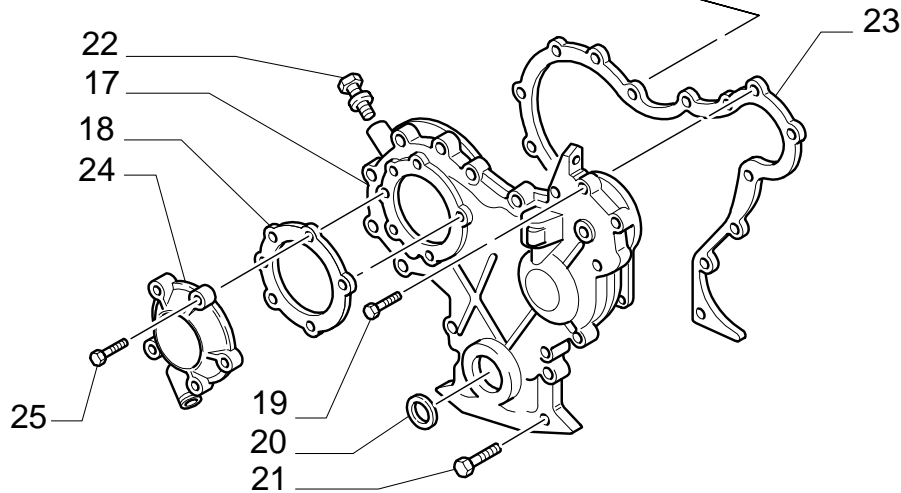
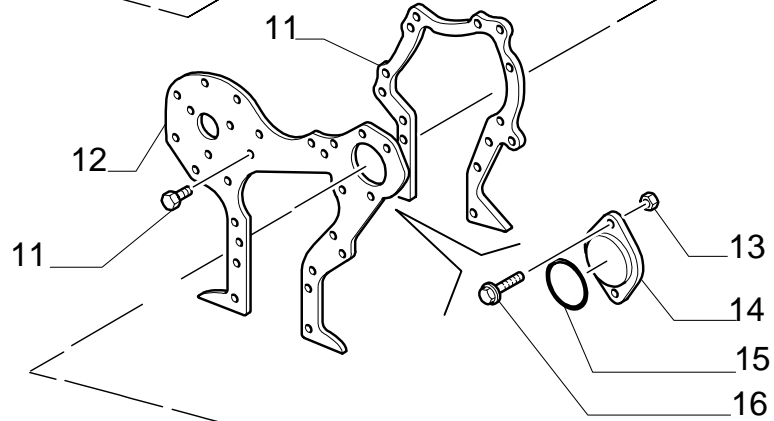
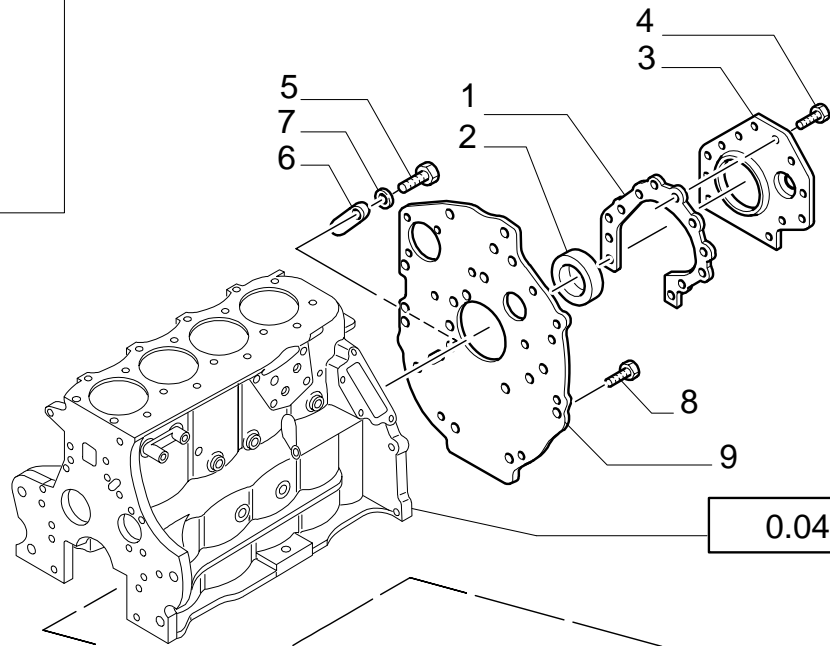
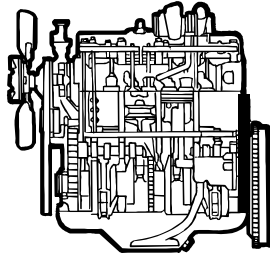
R	N	P.N.	MOD	Q	Description Denominacion	Descrizione Denominação	Description Beschrijving	Bezeichnung Beskrivelse	L.C.
1		87800531		1	PAN CUBETA	VASCHETTA CARTER	CUVETTE	PAN	019V
2		87802061		1	GASKET JUNTA HERMETICA	GUARNIZIONE JUNTA	JOINT	DICHTUNG	123G
3		81822148		1	GASKET JUNTA HERMETICA	GUARNIZIONE JUNTA	JOINT	DICHTUNG	123G
4		81822147		1	PLUG TAPON	TAPPO BUJAO	BOUCHON	STOPFEN	050T
5		82855681		24	SCREW TORNILLO	VITE PARAFUSO	VIS	SCHRAUBE	040V

2

695 SUPER M

ENGINE COVERS & GASKETS, FRONT & REAR
COPERCHI MOTORE, ANTERIORE E POSTERIORE
CACHE MOTEUR AVANT ET ARRIERE
MOTORDECKEL, VORNE UND HINTEN

2



TAPAS DELANTERA Y TRASERA DEL MOTOR
 TAMPAS DO MOTOR, DIANTEIRA E TRASEIRA
 DEKSELS MOTOR, VOOR EN ACHTER
 MOTORDÆKSLER, FOR & BAG

R	N	P.N.	MOD	Q	Description Denominacion	Descrizione Denominação	Description Beschrijving	Bezeichnung Beskrivelse	L.C.
1		87801610		1	GASKET JUNTA HERMETICA	GUARNIZIONE JUNTA	JOINT	DICHTUNG	123G
2		83955247		1	GASKET JUNTA HERMETICA	GUARNIZIONE JUNTA	JOINT	DICHTUNG	123G
3		87801621		1	PLATE PLACA	PIASTRA CHAPA	PLAQUE	PLATTE	105P
4		81876604		12	SCREW 5/16"-18X0.62 TORNILLO	VITE PARAFUSO	VIS	SCHRAUBE	040V
5		89627874		1	SCREW 5/16"-18x0.625 TORNILLO	VITE PARAFUSO	VIS	SCHRAUBE	040V
6		81804217		1	COVER TAPA	COPERCHIO TAMPA	COUVERCLE	DECKEL	2250
7		80080681		1	WASHER, LOCK 5/16" ARANDELA DE FRENO	ROSETTA DI SICUREZZA ARRUELA	RONDELLE DE SECURIT	SICHERUNGSRING	132R
8		81876945		1	SCREW 3/8"-16x0.75 TORNILLO	VITE PARAFUSO	VIS	SCHRAUBE	040V
9		87800621		1	PLATE PLACA	PIASTRA CHAPA	PLAQUE	PLATTE	105P
10		83959396		1	GASKET JUNTA HERMETICA	GUARNIZIONE JUNTA	JOINT	DICHTUNG	123G
11		83958244		4	SCREW 5/16"-18x7/8 TORNILLO	VITE PARAFUSO	VIS	SCHRAUBE	040V
12		87800904		1	PLATE, STEEL CHAPA	LAMIERA CHAPA DE ACO	TOLE	BLECH	015L
13		81862931		2	NUT 3/8"-16 TUERCA	DADO PORCA	ECROU	MUTTER	010D
14		81803219		1	COVER TAPADERA	COPERCHIO COBERTA	COUVERCLE	DECKEL	265C
15		80510137		1	O-RING 3.234" ID x .139" JUNTA HERMETICA	O-RING O-RING	JOINT TORIQUE	DICHTRING	055A
16		81868845		2	SCREW 3/8"-16x2.50 TORNILLO	VITE PARAFUSO	VIS	SCHRAUBE	040V
17		87802503		1	COVER COBERTURA	COPERTURA COBERTURA	COUVERTURE	ABDECKUNG	271C
18		87801854		1	GASKET JUNTA HERMETICA	GUARNIZIONE JUNTA	JOINT	DICHTUNG	123G
19		81868845		2	SCREW Cap, Flg Hd, USR, 3/8"-16 x 2-1/2" TORNILLO	VITE PARAFUSO	VIS	SCHRAUBE	040V
20		87800696		1	GASKET JUNTA HERMETICA	GUARNIZIONE JUNTA	JOINT	DICHTUNG	123G
21		81867931		4	BOLT 5/16"-18x2.00 TORNILLO	BULLONE PARAFUSO	BOULON	BOLZEN	140B
21		81867943		2	BOLT 5/16"-18x2.50 TORNILLO	BULLONE PARAFUSO	BOULON	BOLZEN	140B
21		81876948		9	SCREW 3/8"-16x2.00 TORNILLO	VITE PARAFUSO	VIS	SCHRAUBE	040V
22		83907851		1	PLUG TAPON	TAPPO BUJAO	BOUCHON	STOPFEN	050T
23		83959876		1	GASKET JUNTA HERMETICA	GUARNIZIONE JUNTA	JOINT	DICHTUNG	123G

695 SUPER M

BUY NOW

**Then Instant Download
the Complete Manual
Thank you very much!**