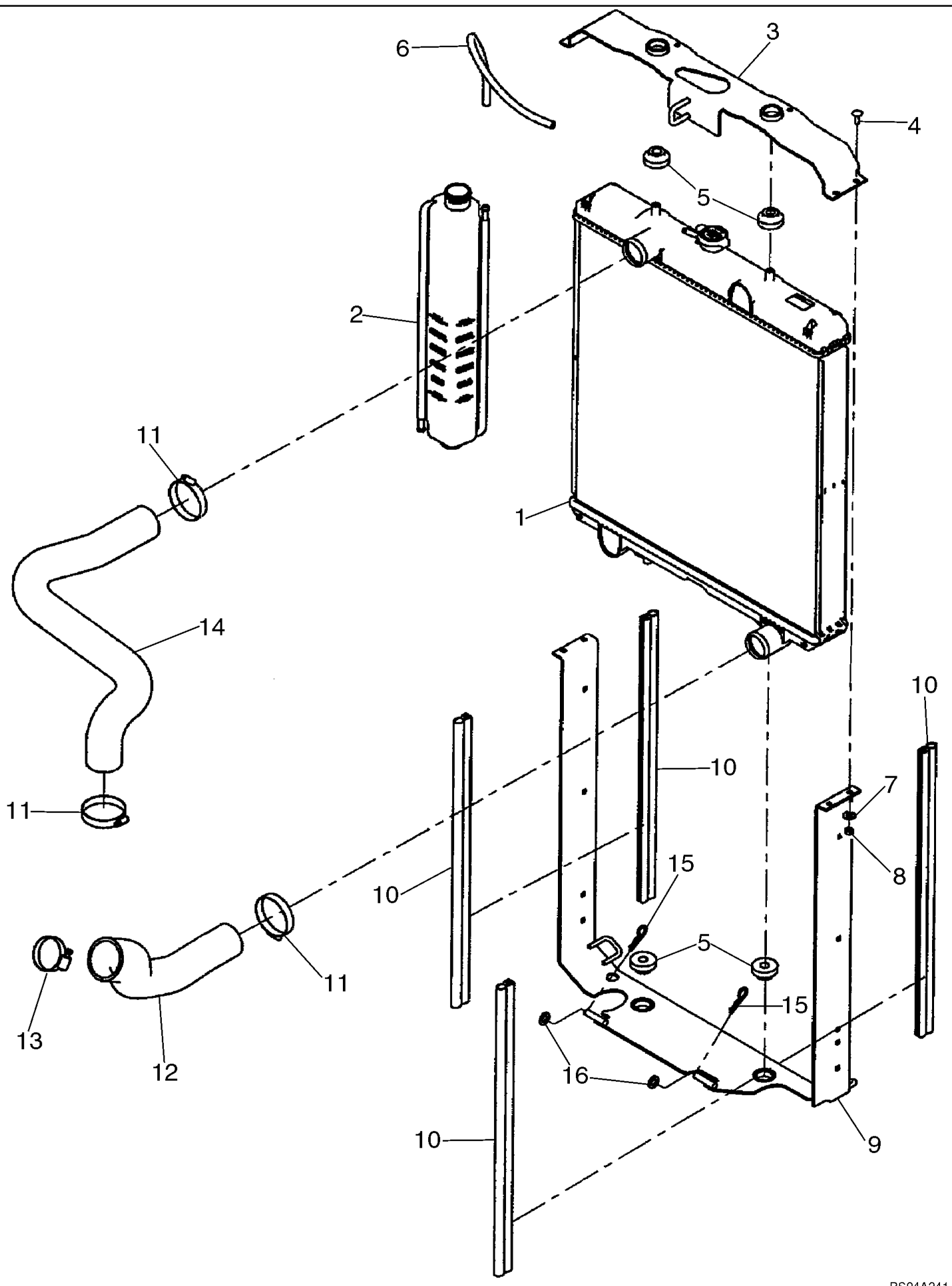




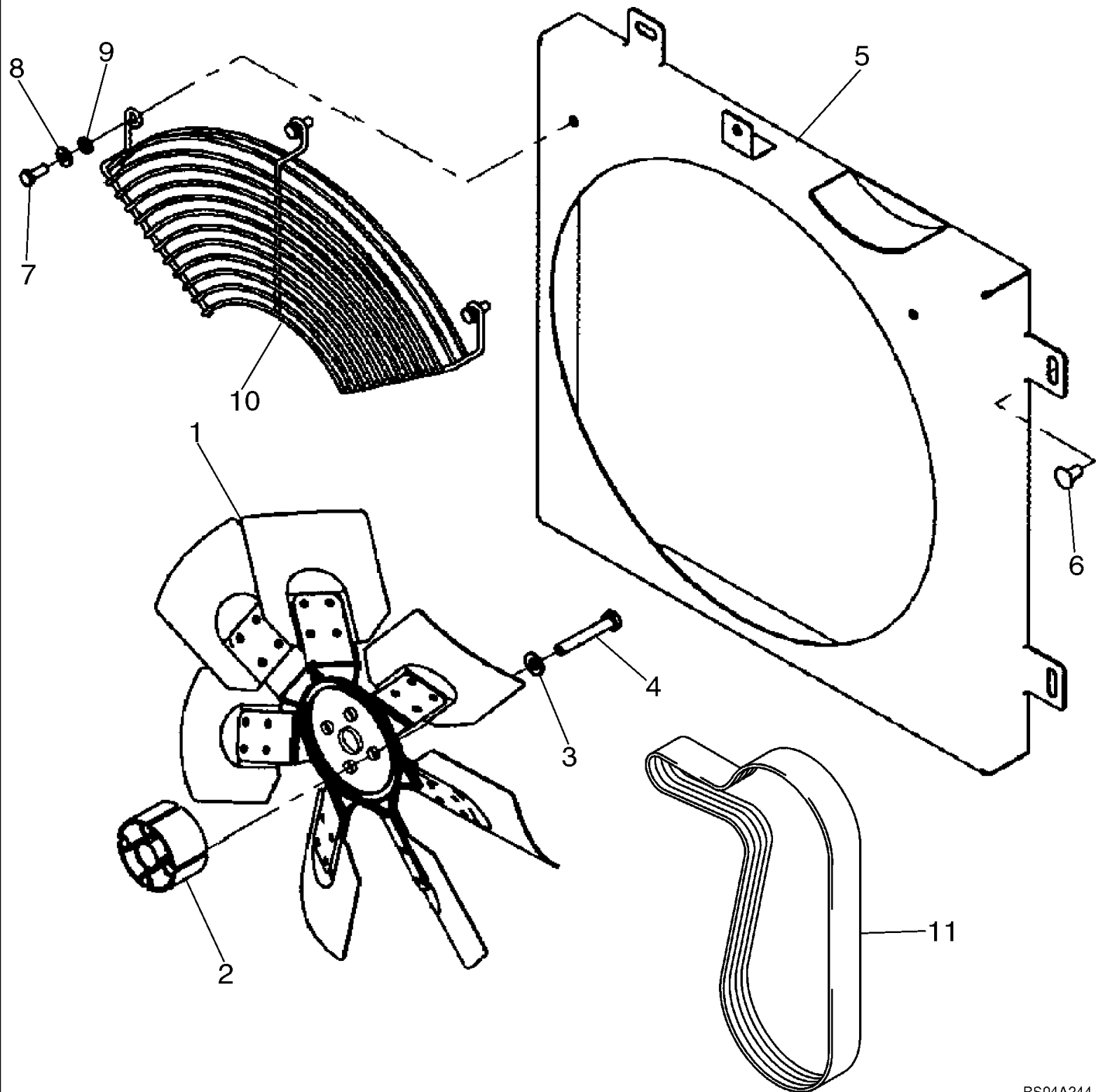
PARTS CATALOGUE

445
CASE SKID STEER LOADER



02-01 RADIATOR - COOLANT RECOVERY SYSTEM

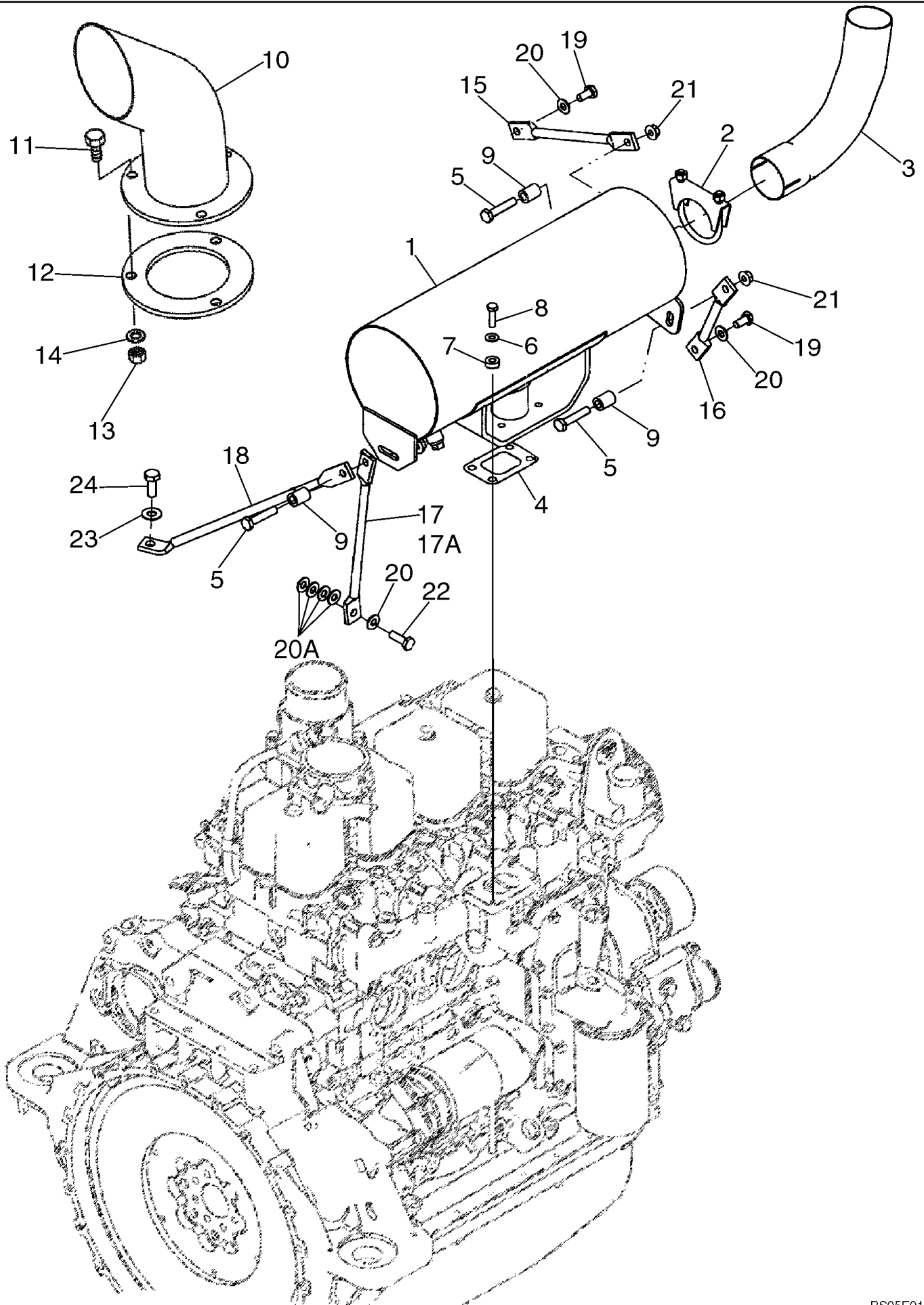
Ref	Part Number	Qty	Description
1	87013856	1	RADIATOR, Incl. 1A, 1B
1A	87032485	1	FITTING, Drain
1B	87032486	1	CAP, RADIATOR,
2	87020980	1	RESERVOIR, COOLANT EXPNSN, Incl. Cap 257884A1
	257884A1	1	PLUG,
3	87459340	1	FRAME, Upper Radiator; Component Parts Not Serviced Separately; Replaces 87024337
4	280638	4	BOLT, CARRIAGE, Short NK, 1/4"-20 x 3/4", G5, Full Thd,
5	87017045	4	CUSHION,
6	87023941	1	HOSE, Coolant Recovery
7	322357	4	WASHER, SPRING, Belleville, M6,
8	7770	4	NUT, 1/4"-20, G5,
9	87436062	1	FRAME ASSY, Lower Radiator
9	87393454	1	FRAME, Lower Radiator; Replaces 87436062
10	87033635	4	SEAL,
11	86050202	3	CLAMP, #32, 1.56/2.50 Type F Worm,
12	87037868	1	HOSE ASSY., Lower Radiator
13	86625031	1	CLAMP, #40, 2.06/3.00 Type F Worm,
14	87040170	1	HOSE ASSY., Upper Radiator
15	216698	2	PIN, SPLIT (COTTER), If Used
16	895-11010	2	WASHER, M10 x 20 x 2, If Used



445 SKID STEER (3/04-)

02-02 FAN - FAN BELT

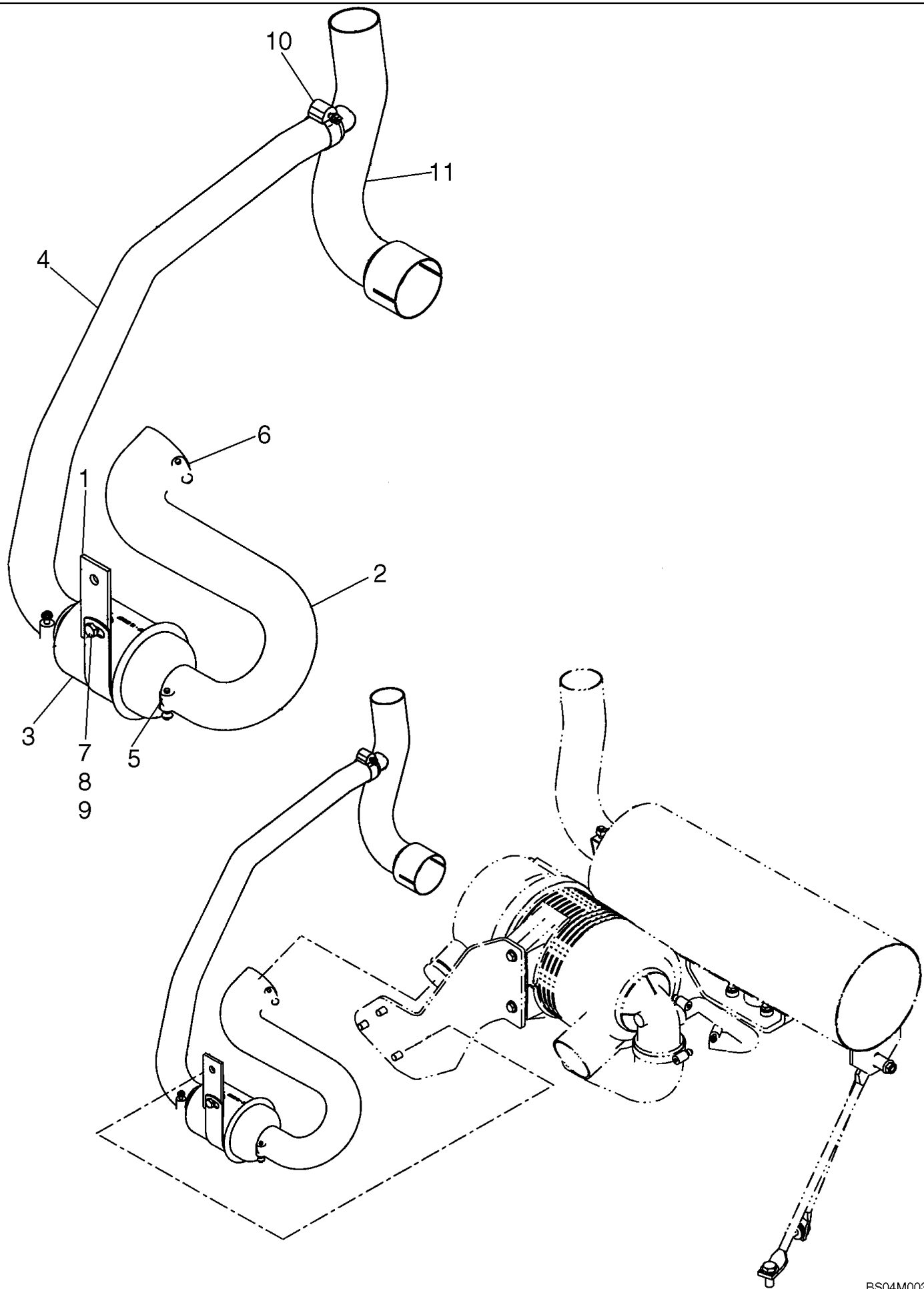
Ref	Part Number	Qty	Description
1	87025470	1	FAN, 480 mm; If Used
1	238344A1	1	FAN, 518 mm; If Used
2	A184545	1	SPACER,
3	140045	4	WASHER, SPRING, Belleville, M10,
4	814-10070	4	BOLT, Hex, M10 x 70, 8.8,
5	87046890	1	SHROUD ASSY., Used With 480 mm Fan; If Used
5	87461514	1	SHROUD ASSY., Used With 518 mm Fan; If Used
6	434-612	4	BOLT, CARRIAGE, Short NK, 3/8"-16 x 3/4", G5, Full Thd,
7	120104	3	SCREW, Hex, M8 x 20, 8.8,
8	322358	3	WASHER, SPRING, Belleville, M8, 9 x 16 x 1.6 mm
9	86624184	3	WASHER, M8 x 16 x 1.6,
10	87046887	1	GUARD, Fan
11	86982450	1	V-BELT, Fan Belt



445 SKID STEER (3/04-)

02-03 EXHAUST SYSTEM

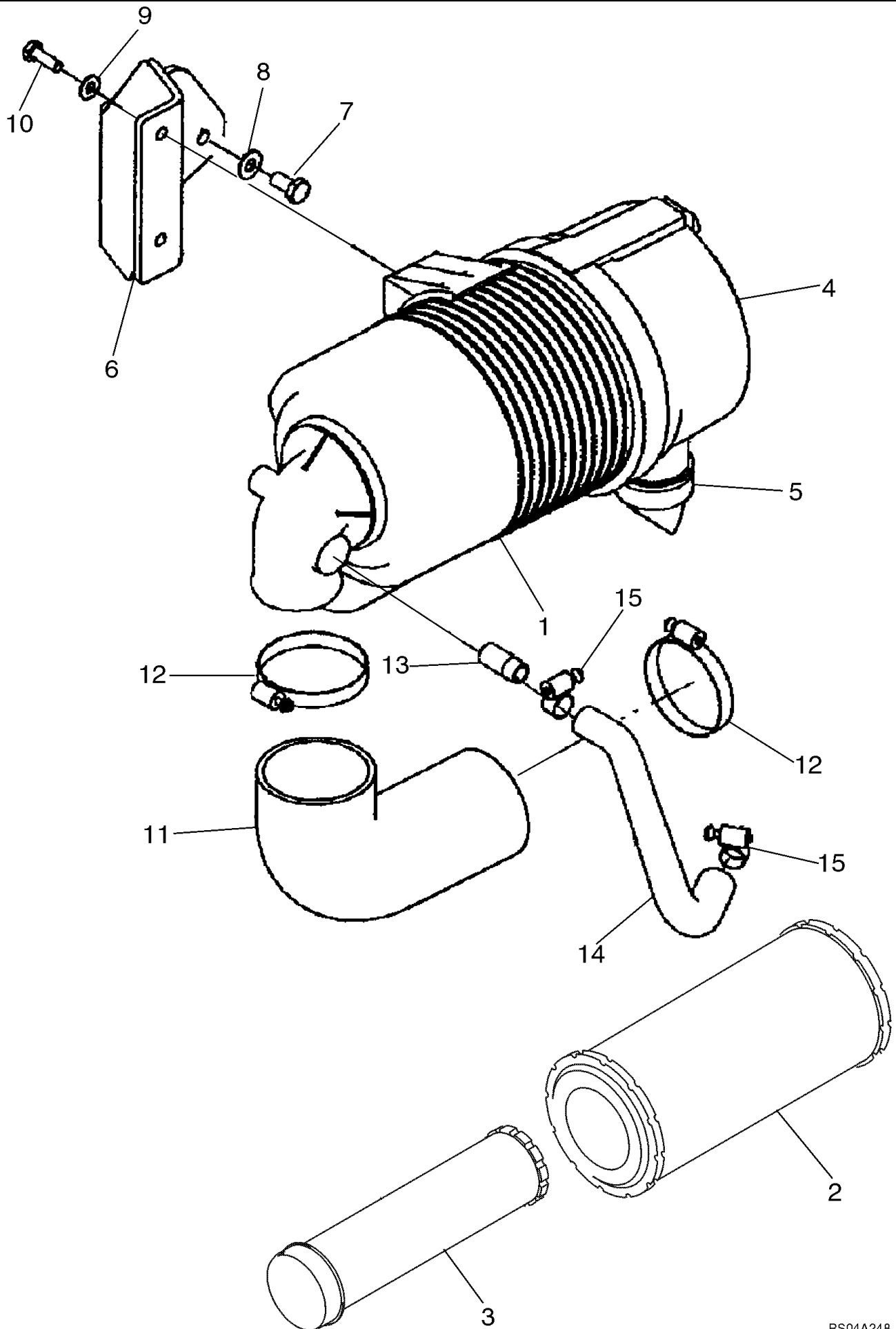
Ref	Part Number	Qty	Description
1	87040452	1	MUFFLER, Assy
2	A13240	1	CLAMP, Muffler
2	87461995	1	CLAMP, Muffler; Replaces A13240
3	87040455	1	TUBE, Tailpipe
4	87021302	1	GASKET, Muffler Inlet Pipe
5	827-10050	3	BOLT, Hex, M10 x 50, 10.9,
6	322358	4	WASHER, SPRING, Belleville, M8,
7	86633393	4	SPACER,
8	614-8030	4	BOLT, Hex, M8 x 30, 8.8,
9	256690A1	3	SPACER,
10	304811A1	1	TUBE, Exhaust Extension
10	87381264	1	PIPE, Replaces 304811A1
11	43127	3	BOLT, Hex, M8 x 25, 8.8,
12	247026A1	1	PLATE, LARGE, Exhaust Doubler
13	832-41408	3	NUT, LOCK, M8 x 1.25, CI 10,
14	895-15008	8	WASHER, M8 x 20 x 1.6,
15	87040820	1	ROD, Muffler Support
16	87040819	1	ROD, Muffler Support
17	87040818	1	ROD, Muffler Support; 352.1 mm (13.86 in), If Used
17A	87043605	1	ROD, Muffler Support; 354.9 mm (13.97 in), If Used
18	87040817	1	ROD, Muffler Support
19	614-10020	2	BOLT, Hex, M10 x 20, 8.8, Full Thd,
20	140045	6	WASHER, SPRING, Belleville, M10,
20A	140045	4	WASHER, SPRING, Belleville, M10, Used with Ref 17
21	411345A1	3	NUT, Flange, Spiral Lock, M10
22	614-10030	1	BOLT, Hex, M10 x 30, 8.8,
23	140046	1	WASHER, SPRING, Belleville, M12,
24	9706687	1	SCREW, Hex, M12 x 30, 8.8,



445 SKID STEER (3/04-)

02-03A EXHAUST SYSTEM, ASPIRATOR

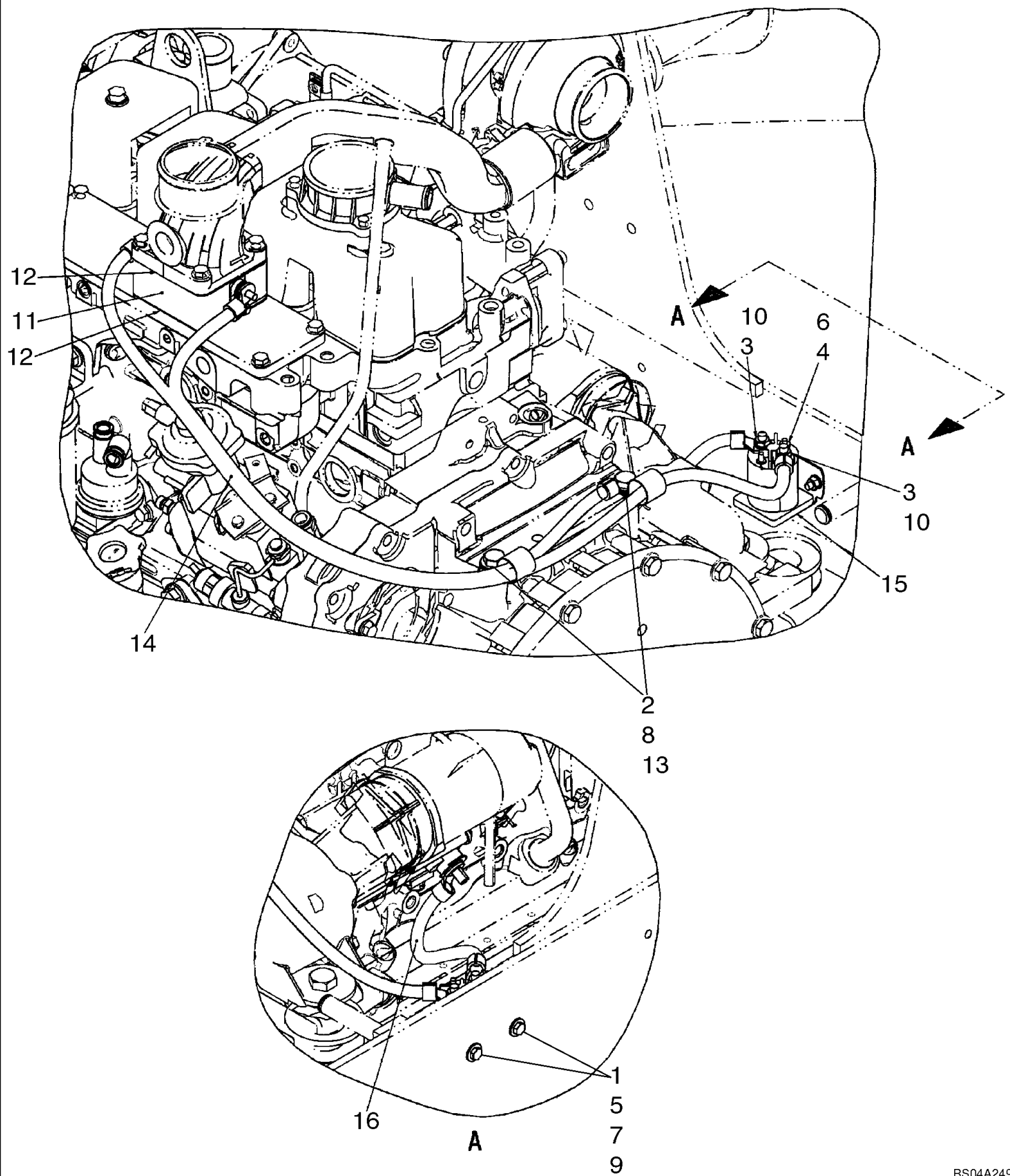
Ref	Part Number	Qty	Description
1	87038233	1	PLATE, Mounting Plate
2	87039284	1	HOSE, Check Valve to Air Cleaner
3	406089A2	1	VALVE, Aspirator Check
4	87039285	1	HOSE, Check Valve to Air Cleaner
5	84674	2	CLAMP, #28, 1.31/2.25 Type F Worm,
6	86624194	1	CLAMP, #36, 1.81/2.75 Type F Worm,
7	43127	1	BOLT, Hex, M8 x 25, 8.8,
8	86625263	1	WASHER, M8 x 20 x 1.6,
9	86629542	1	NUT, M8 x 1.25, CI 8,
10	214-1416	1	CLAMP, #16, 0.81/1.50 Type F Worm,
11	87050493	1	TUBE, Exhaust Tube



445 SKID STEER (3/04-)

02-04 AIR CLEANER - ENGINE

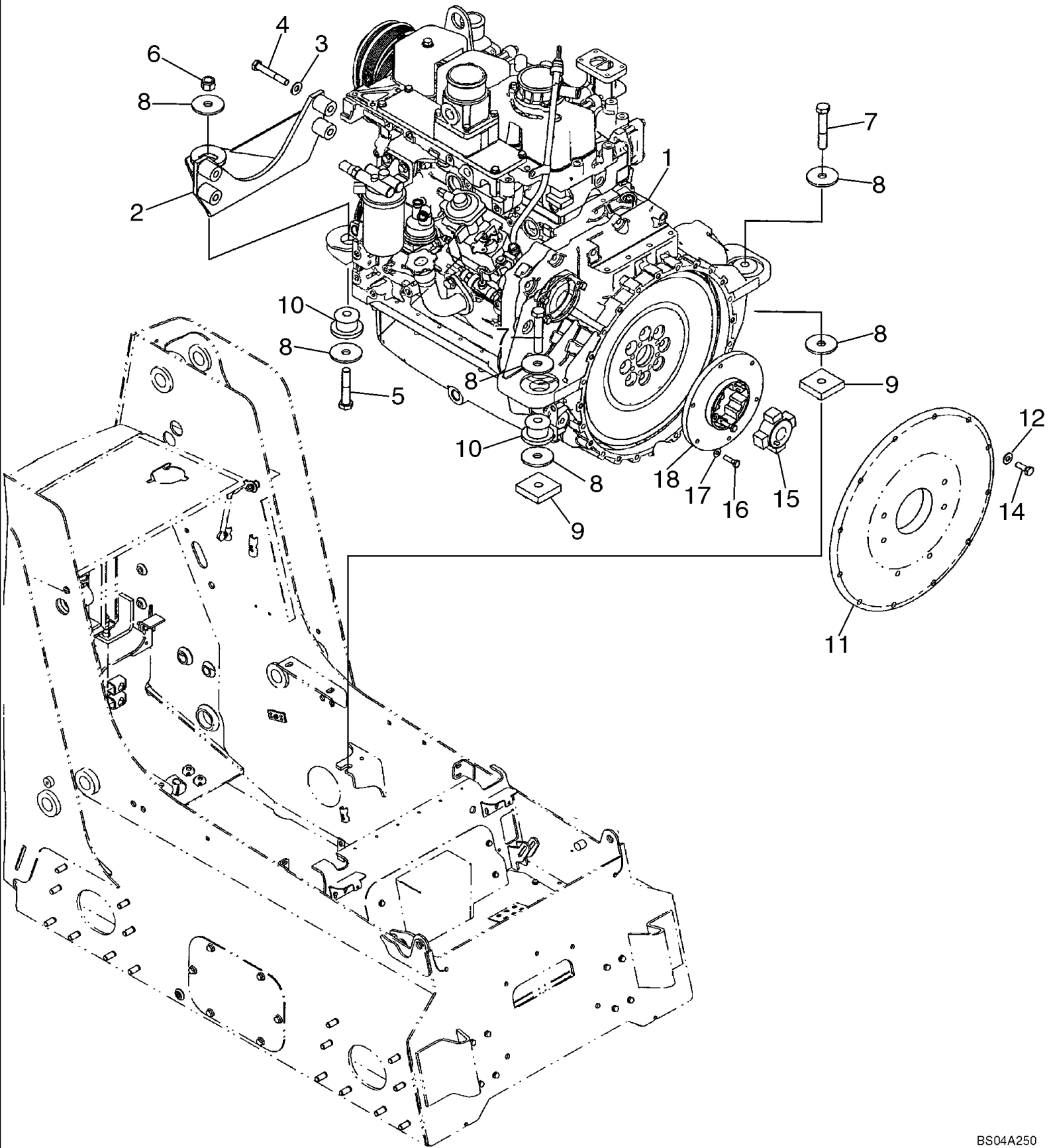
Ref	Part Number	Qty	Description
	87041485	1	CLEANER ASSY., Air Cleaner; Incl. 1 - 5
1	87041842	1	AIR CLEANER, Body
2	222425A1	1	ELEMENT, Primary
3	222429A1	1	ELEMENT, Secondary
4	440831A1	1	COVER, FILTER, Incl. 4A
4A	86990981	1	TAB, LOCKING, Not Illustrated Separately
5	A184597	1	POPPET, VALVE,
6	87038358	1	BRACKET,
6	257865A2	1	BRACKET, Replaces 87038358
7	614-10020	3	BOLT, Hex, M10 x 20, 8.8, Full Thd,
8	140045	3	WASHER, SPRING, Belleville, M10,
9	322358	2	WASHER, SPRING, Belleville, M8,
10	43127	2	BOLT, Hex, M8 x 25, 8.8,
11	87037274	1	HOSE,
11	87351988	1	HOSE, Replaces 87037274
12	86625033	2	CLAMP, #56, 3.06/4.00 Type F Worm,
13	L17985	1	FITTING,
14	87037275	1	HOSE,
14	87352016	1	HOSE, Replaces 87037275
15	86625021	2	CLAMP, #12, 0.69/1.25 Type F Worm,



445 SKID STEER (3/04-)

02-05 GRID HEATER

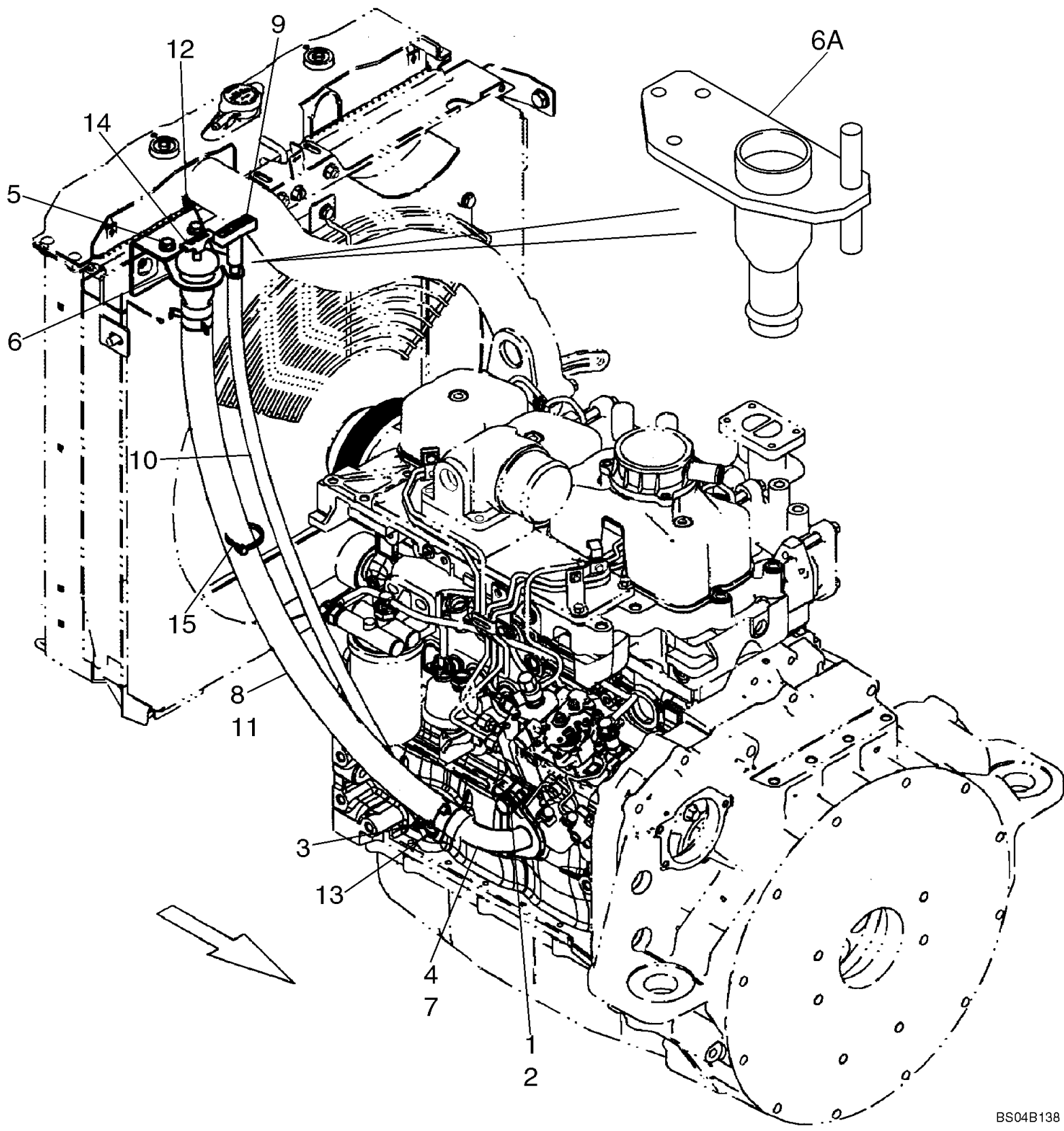
Ref	Part Number	Qty	Description
1	7770	2	NUT, 1/4"-20, G5,
2	43151	2	SCREW, Hex, M12 x 20, 8.8, Full Thd,
3	80681	2	WASHER, LOCK, 5/16",
4	80684	1	WASHER, LOCK, #10,
5	80701	2	WASHER, 1/4",
6	87825	1	NUT, #10-32,
7	88146	2	BOLT, Hex, 1/4"-20 x 1", G5,
8	140046	2	WASHER, SPRING, Belleville, M12,
9	322357	2	WASHER, SPRING, Belleville, M6,
10	9626568	2	NUT, Jam, 5/16"-18, G2,
11	82017872	1	HEATER, Grid
12	86014151	2	GASKET,
13	86625038	2	CLAMP, 1", Insul, 1/2" Bolt, 25.4 mm
14	87030820	1	CABLE, Grid Heater
15	87406968	1	SWITCH, SOLENOID,
16	87047862	1	CABLE, Grid Heater
	L18331	1	STRAP,



445 SKID STEER (3/04-)

02-06 ENGINE - MOUNTING

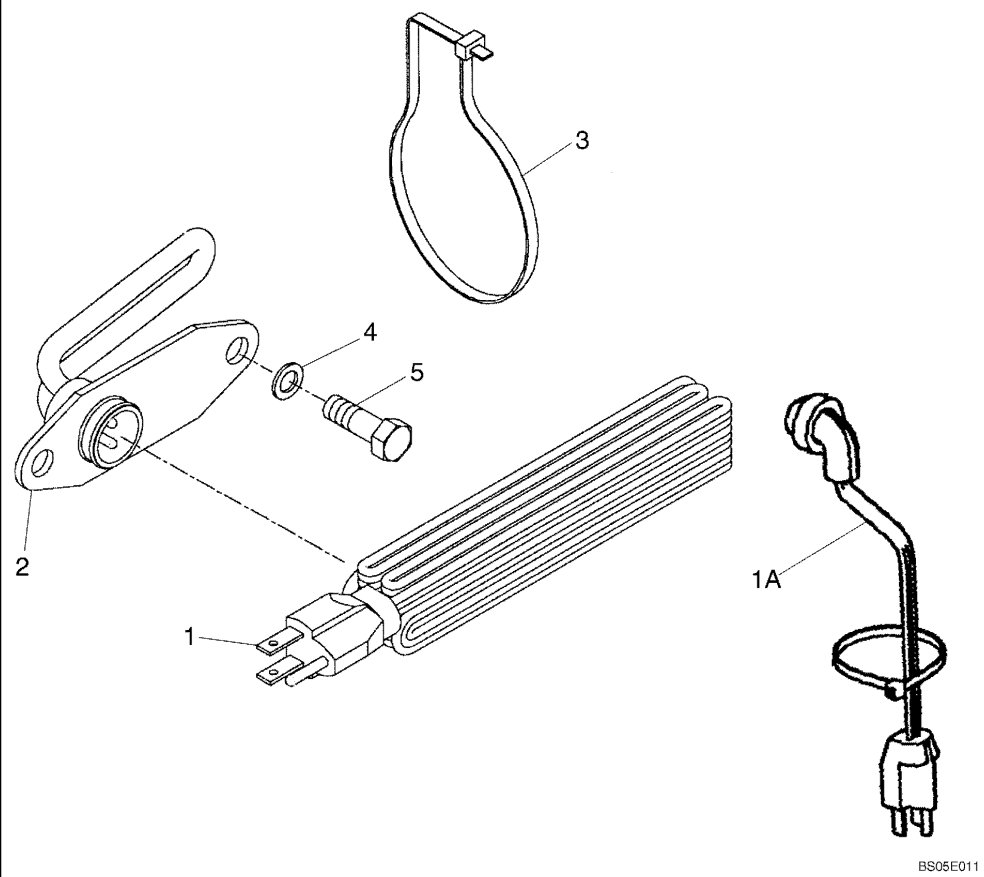
Ref	Part Number	Qty	Description
1	87328612	1	ENGINE, Replaces 87039465
1	87547532	1	ENGINE, Replaces 87328612; Component Parts Not Available At Time Of Printing
2	87041763	1	MOUNT, ENGINE,
3	140046	4	WASHER, SPRING, Belleville, M12,
4	827-12080	4	BOLT, Hex, M12 x 80, 10.9,
5	814-16090	1	BOLT, Hex, M16 x 90, 8.8,
6	832-10416	1	NUT, LOCK, M16 x 2, CI 8,
7	814-16090	2	BOLT, Hex, M16 x 90, 8.8,
8	496-81025	6	WASHER, 21/32" x 2 1/2" x .188", HDN,
9	390350A1	2	PLATE,
10	A140221	3	MOUNTING PARTS,
11	87014858	1	PLATE, MOUNTING, Pump Mounting; See Figure 06-06
11	87519252	1	PROTECTION PLATE, Pump Mounting; Replaces 87014858; See Figure 06-06
12	896-15010	10	WASHER, M10 x 24.5 x 3, HT,
13	814-10040	2	BOLT, Hex, M10 x 40, 8.8, Full Thd,
14	43140	10	BOLT,
15	87024588	1	HUB,
17	322358	6	WASHER, SPRING, Belleville, M8,
18	87024539	1	ELEMENT,
16	627-8030	6	BOLT, Hex, M8 x 30, 10.9,



445 SKID STEER (3/04-)

02-06A OIL FILL, ENGINE

Ref	Part Number	Qty	Description
1	614-12025	2	BOLT, Hex, M12 x 25, 8.8,
2	892-11012	2	WASHER, LOCK, M12,
3	214-1704	1	CLAMP, #4, 0.25/0.62 Type M Worm,
4	14458781	1	O-RING, -129, CI 7, 1.549" ID x .103" Thk,
5	281-54810	2	SCREW, SELF TAPPING, Hex Wash Hd, 5/16"-18 x 5/8",
6	87050090	1	TUBE ASSY., Oil Fill; If Used
6A	87458899	1	SUPPORT, Oil Fill; If Used
7	87432267	1	TUBE, Oil Fill
8	87432275	2	SPRING, 35 mm
9	87434315	1	DIPSTICK,
10	87434316	1	HOSE ASSY., Oil Fill
11	87434317	1	HOSE ASSY., Oil Fill
12	87434847	1	ANGLE, Oil Fill Mounting
13	87438418	1	TUBE, Oil Guage
14	87445427	1	CAP, FILLER, Oil Fill
15	L18331	1	STRAP,

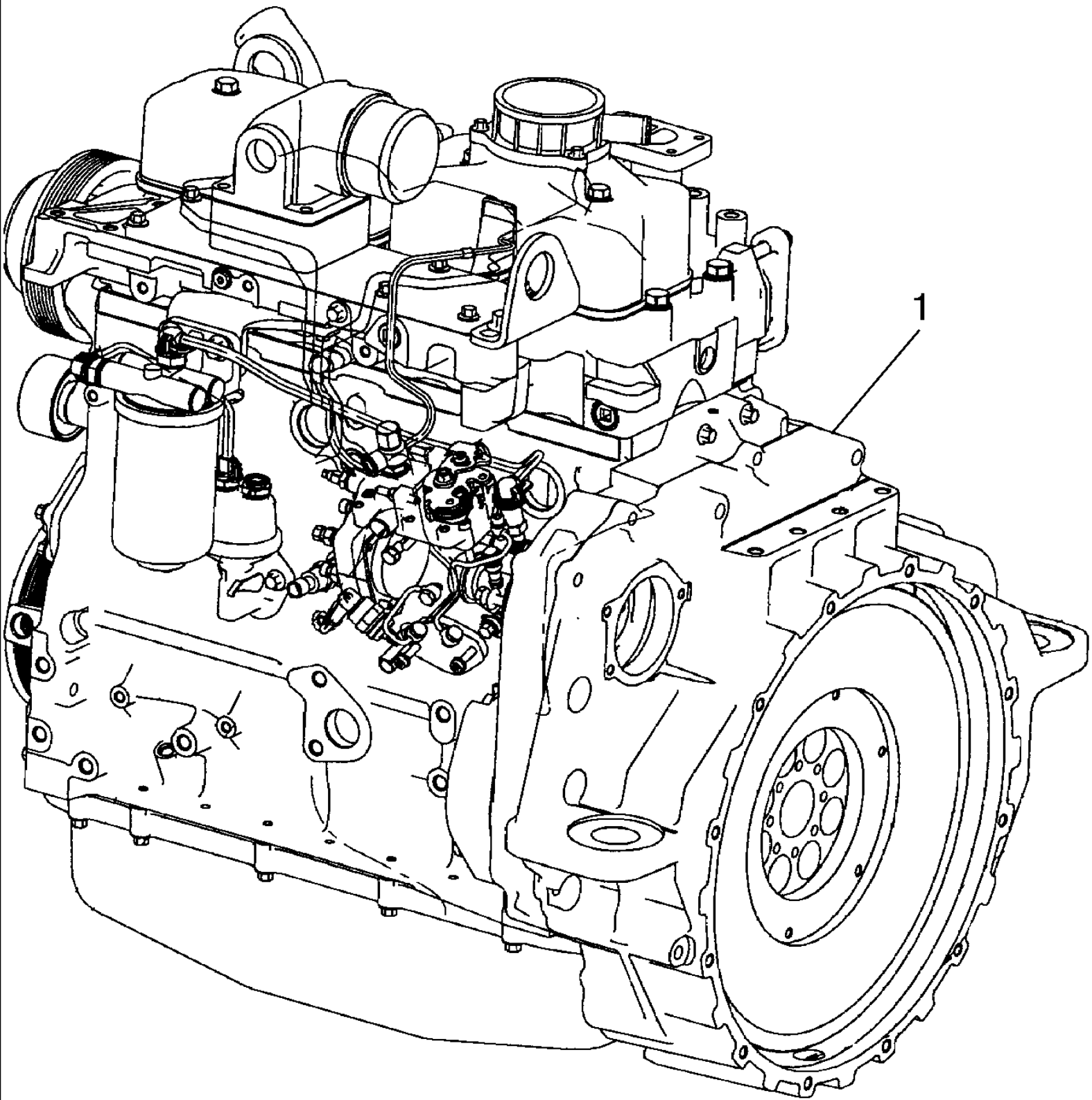


BS05E011

445 SKID STEER (3/04-)

02-07 ENGINE - BLOCK HEATER

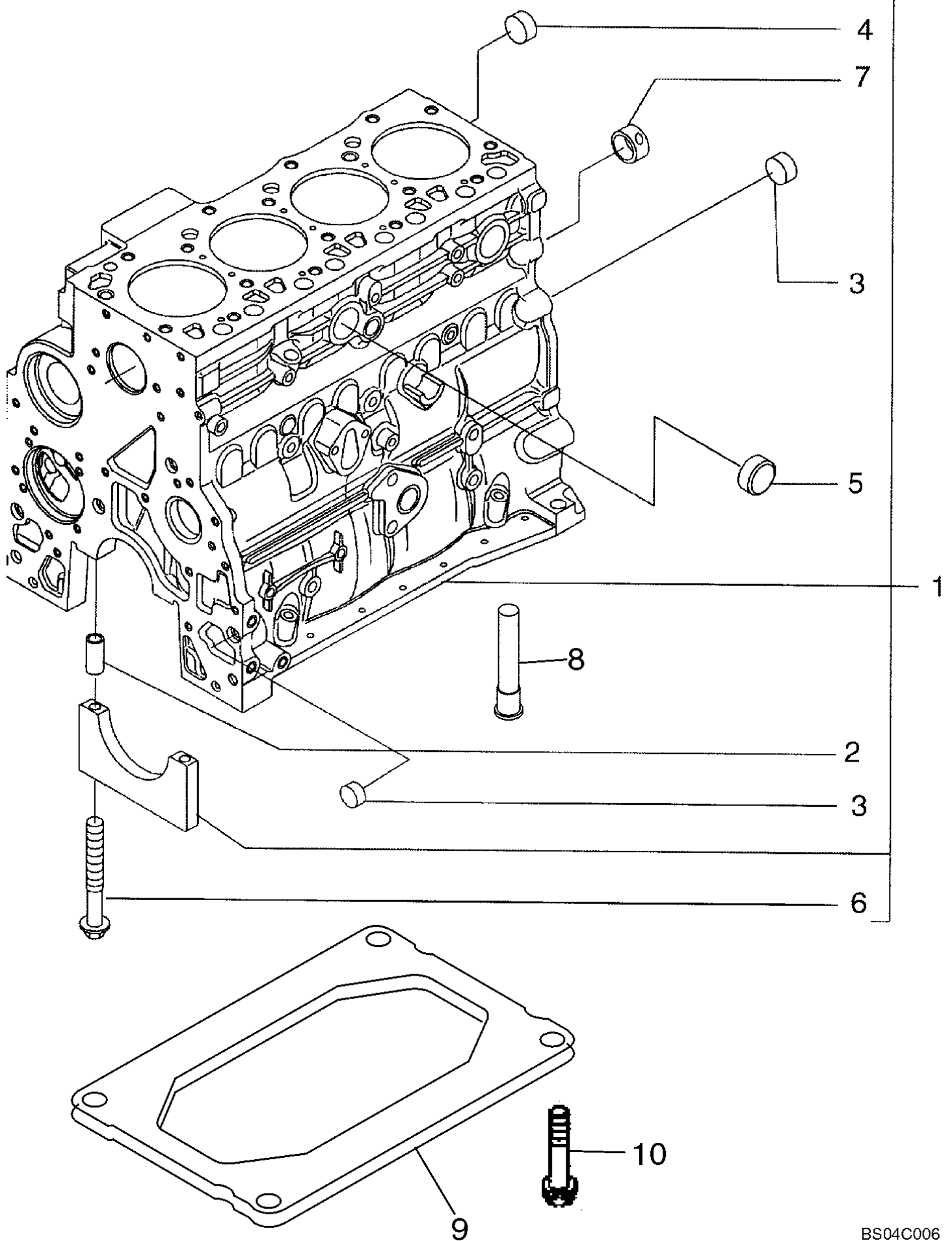
Ref	Part Number	Qty	Description
	87017686	1	DIA, Construction, Engine Heater; Incl. 1A - 5
1	196466A1	1	CABLE, ELECTRIC, 1829 mm (72 in); No Longer Available, Order 87105748
1A	87105748	1	CABLE, ELECTRIC,
2	8602005	1	HEATER, 750W, 120V
3	L18331	1	STRAP,
4	895-11008	2	WASHER, M8 x 16 x 1.6,
5	120104	2	SCREW, Hex, M8 x 20, 8.8,



445 SKID STEER (3/04-)

02-08 ENGINE

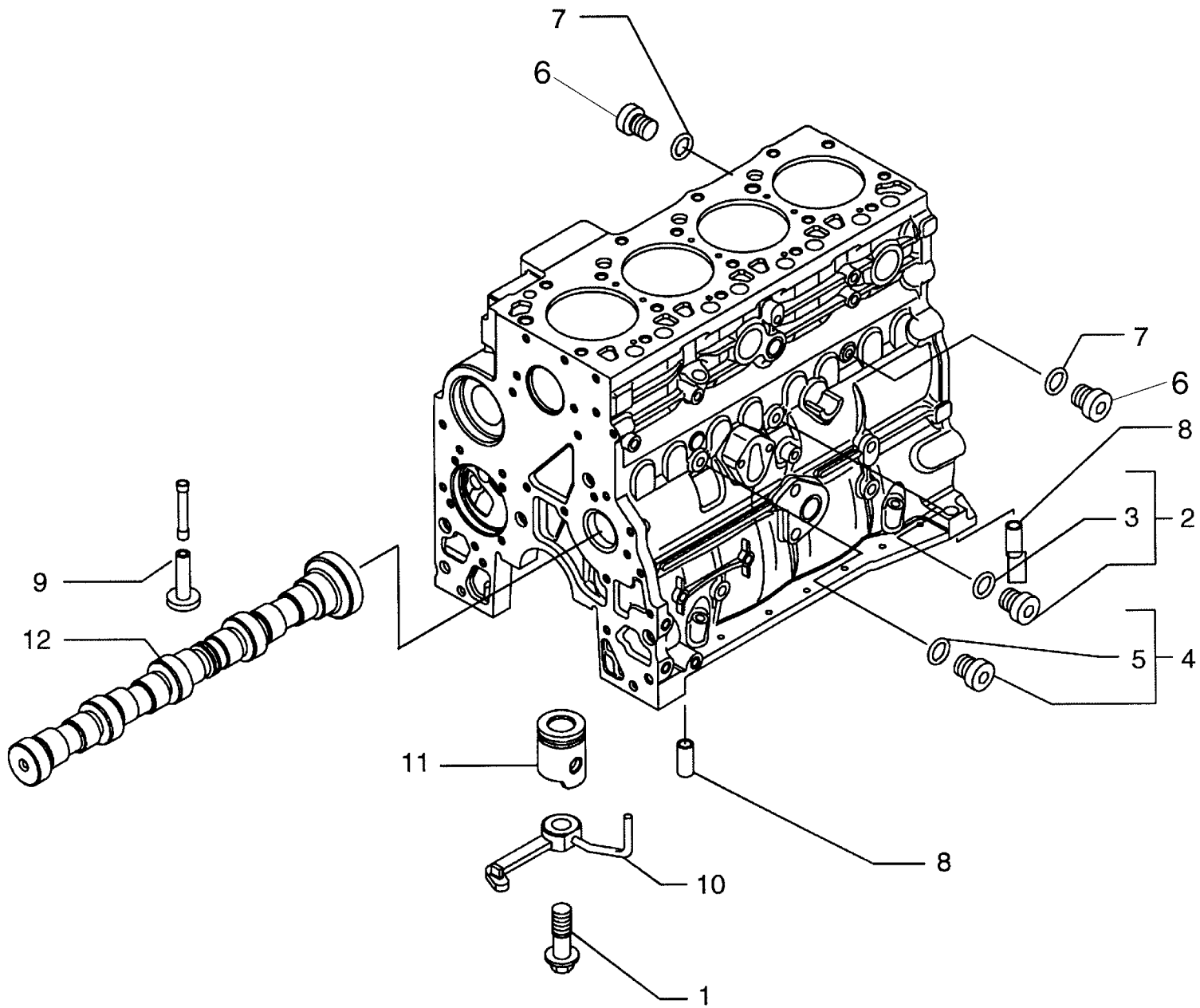
Ref	Part Number	Qty	Description
1	87328612	1	ENGINE, Four Cylinder Engine; Replaces 87039465; Without Alternator; Includes Parts On Figures 02-08 - 02-37, 03-03 - 03-10
1	87547532	1	ENGINE, Four Cylinder Engine; Replaces 87328612; Component Parts Not Available At Time Of Printing



445 SKID STEER (3/04-)

02-09 CYLINDER BLOCK

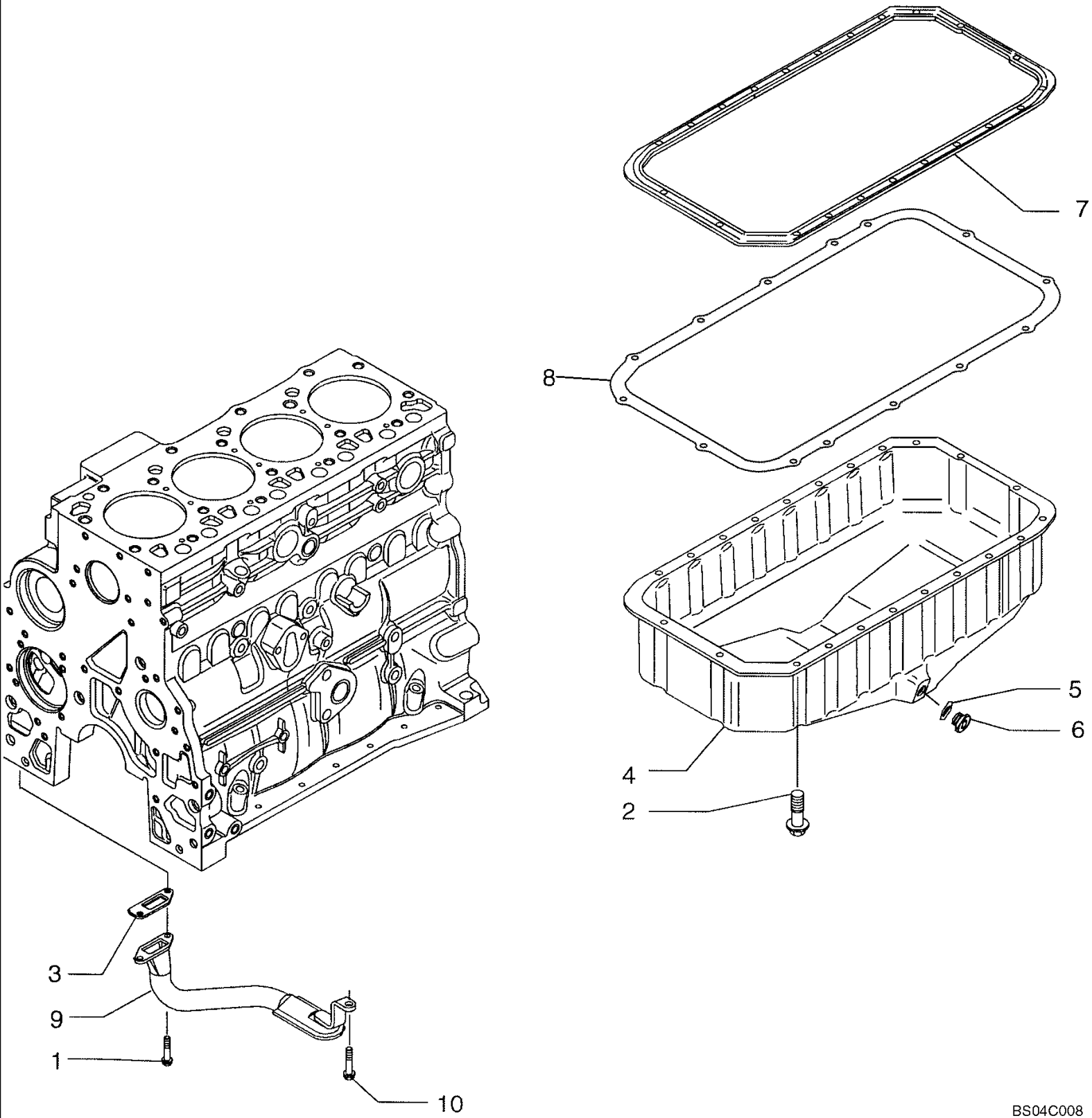
Ref	Part Number	Qty	Description
1	2830083	1	CYLINDER BLOCK, Incl. Ref 2 - 7, Plus Main Bearing Caps
	4895919	4	BEARING, CRANKSHAFT, Main Bearing Cap
	4895921	1	BEARING, CRANKSHAFT, Main Bearing Cap
2	4899026	10	DOWEL,
3	4895039	3	PLUG,
4	4895038	4	PLUG,
5	4895228	2	PLUG,
6	4891353	10	SCREW, M12 x 120
7	4895040	1	BUSHING,
8	4896153	1	PLUG, Piston Cooling
9	2852729	1	STIFFENER, Bedplate, Cylinder Block Stiffener
10	4899032	4	SCREW, Hex Flg, M10 x 1.5 x 25, M10 x 1.5 x 25



445 SKID STEER (3/04-)

02-10 CYLINDER BLOCK

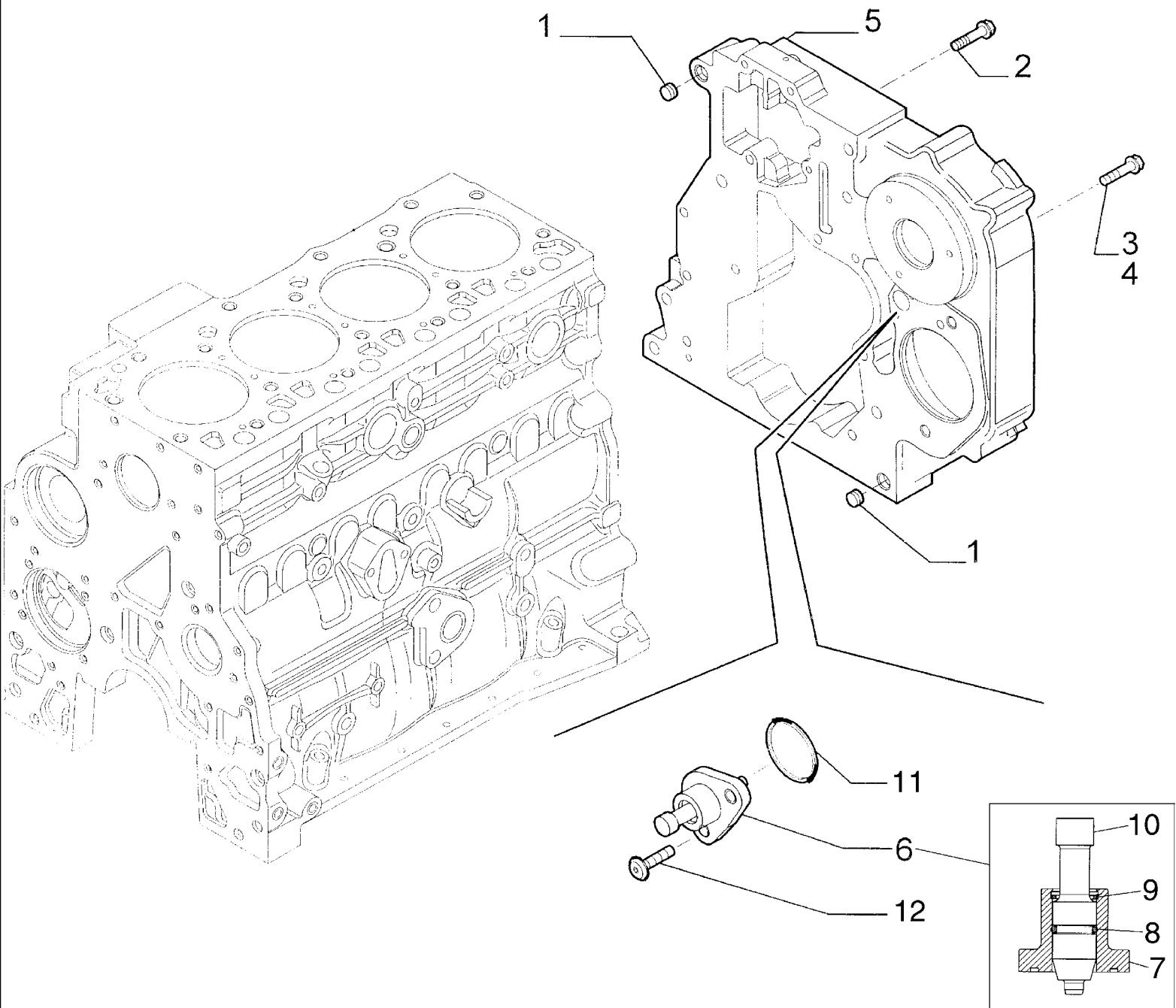
Ref	Part Number	Qty	Description
1	4894218	4	SCREW,
2	4895605	1	PLUG, 14 x 1.5; Incl. Ref 3
3	4899115	1	O-RING,
4	4899009	1	PLUG, 10 x 1.5; Incl. Ref 5
5	4899072	1	O-RING,
	4895392	2	PLUG, 18 x 1.5; Incl. Ref 6, 7
6	4895394	2	PLUG,
7	4895393	1	O-RING,
8	4895049	2	DOWEL,
9	4895180	8	TAPPET,
10	4896865	4	NOZZLE, LUB. OIL JET, Incl. Ref 1
11	REF	1	INSTRUCTION, PISTON; See Figure 02-23
12	REF	1	INSTRUCTION, CAMSHAFT; See Figure 02-26



445 SKID STEER (3/04-)

02-11 OIL PUMP, PAN

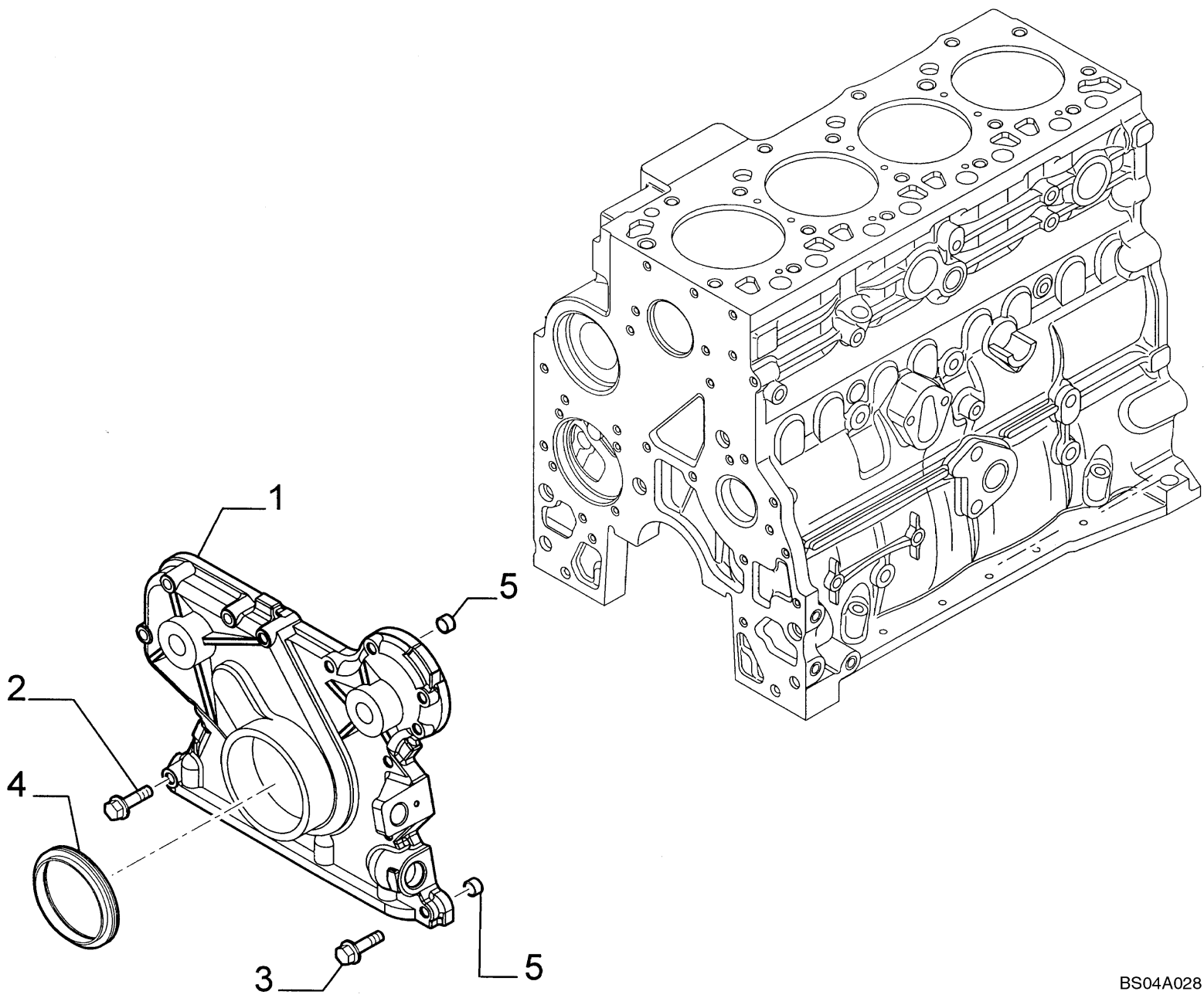
Ref	Part Number	Qty	Description
1	18138424	2	SCREW, Hex Flg, M8 x 1.25 x 20, Flange, M8 x 20
2	4899091	14	SCREW, Hex Flg, M8 x 1.25 x 40, Flange, M8 x 40
3	4898301	1	GASKET,
4	2853048	1	PAN, ENGINE OIL, Oil Pan
5	4895584	1	GASKET,
6	4894139	1	PLUG, 22 x 1.5; Does Not Include Seal, Purchase Seal Separately
7	4897877	1	GASKET,
8	4897876	1	SPACER,
9	2853050	1	PIPE, Oil Suction; Includes Screen Which Is Not Serviced Separately
10	4895291	1	SCREW, Hex Flg, M10 x 1.5 x 20, Flange, M10 x 120



445 SKID STEER (3/04-)

02-12 CYLINDER BLOCK - COVERS

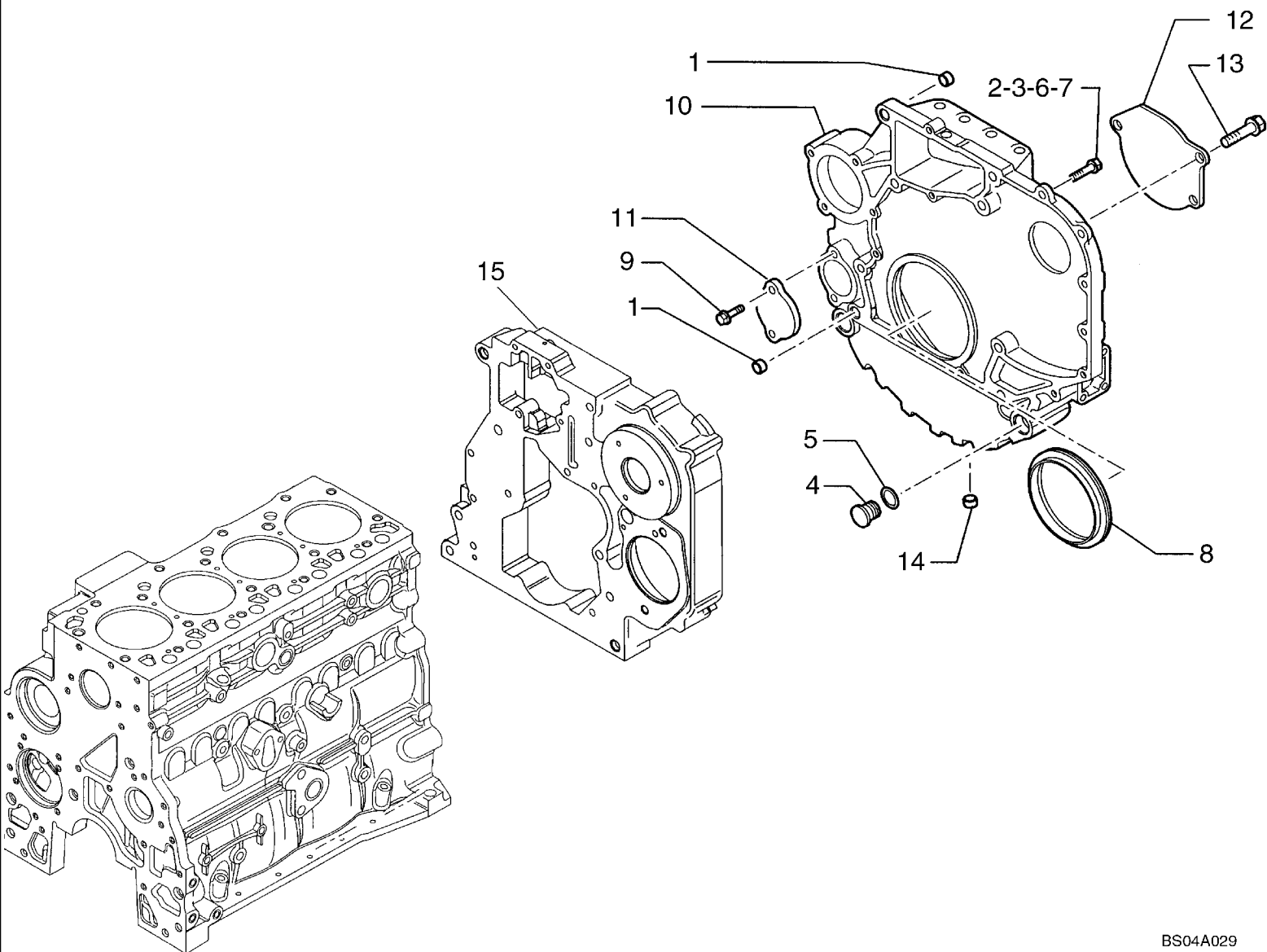
Ref	Part Number	Qty	Description
1	4899026	2	DOWEL,
2	4899091	4	SCREW, Hex Flg, M8 x 1.25 x 40, Flange, M8 x 40
3	4899093	5	SCREW, Hex Flg, M10 x 1.5 x 30, Flange, M10 x 30
4	4899073	2	SCREW, Hex Flg, M12 x 1.75 x 30, Flange, M12 x 30
5	2852017	1	COVER, Rear
6	2852515	1	PIN, Timing Pin; Incl. 7 - 10
7	2852518	1	HOUSING, Timing Pin
8	2852517	1	O-RING,
9	2852759	1	RING, Clip, Retaining
10	2852516	1	PIN, Timing
11	2852519	1	O-RING,
12	4895355	2	SCREW, Round Head, M5 x 17



445 SKID STEER (3/04-)

02-13 CYLINDER BLOCK - COVERS

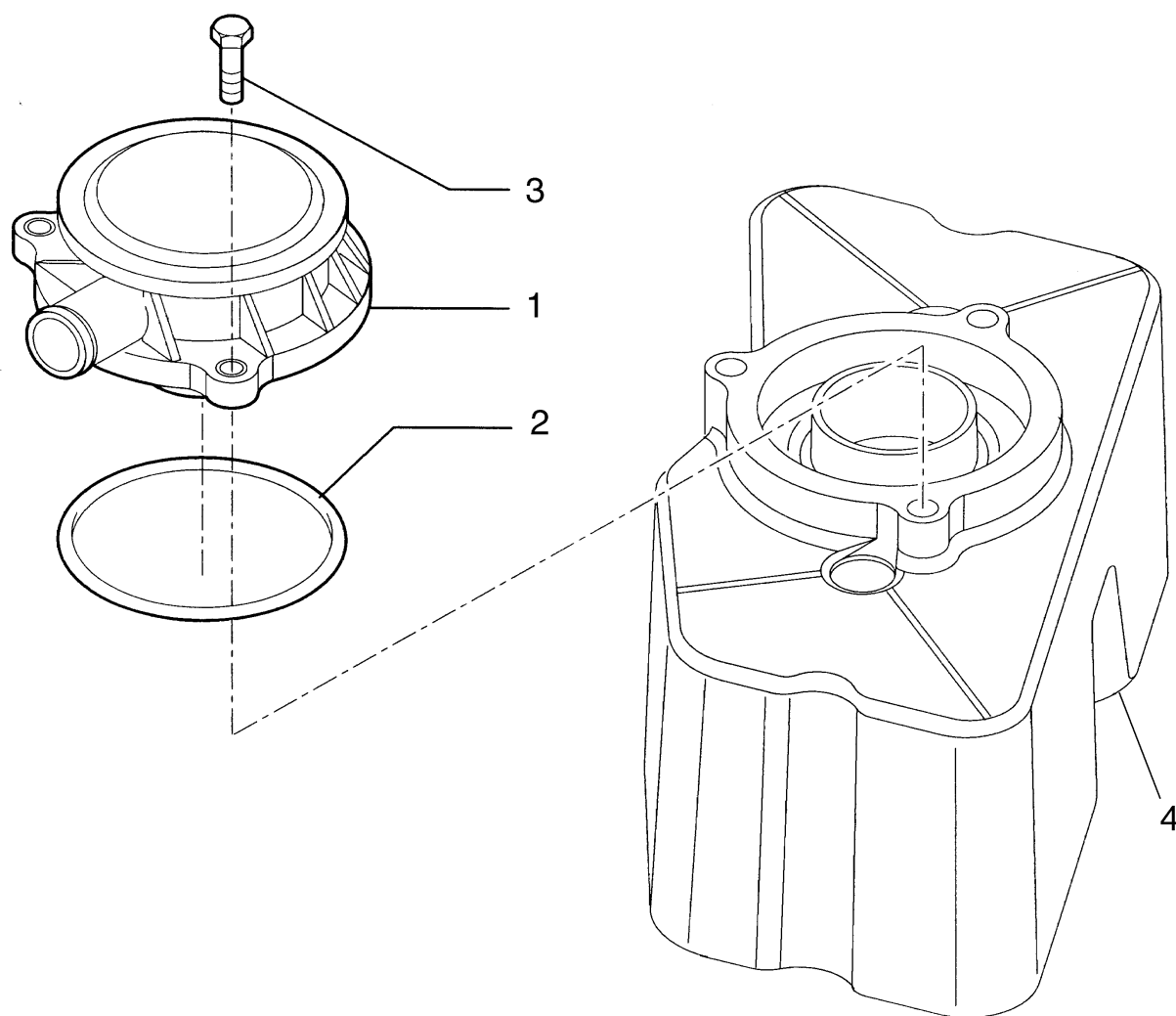
Ref	Part Number	Qty	Description
1	4897026	1	COVER, Front
2	4899078	5	SCREW, Hex Flg, M8 x 1.25 x 45, Flange, M8 x 45
3	4899063	8	SCREW, Hex Flg, M8 x 1.25 x 30,
4	4890832	1	GASKET,
5	4891209	2	DOWEL,



445 SKID STEER (3/04-)

02-14 CYLINDER BLOCK - COVERS

Ref	Part Number	Qty	Description
1	4899026	2	DOWEL,
2	4899109	3	SCREW, Hex, M10 x 1.5 x 80,
3	4892915	7	SCREW, Flange, M10 x 40
3	4899143	1	SCREW, Hex Flg, M10 x 1.5 x 140, Flange, M10 x 140
4	4895378	2	PLUG, Does Not Include Seal, Purchase Seal Separately
5	4895379	2	O-RING,
6	4899076	5	SCREW, Hex Flg, M12 x 1.75 x 80, Flange, M12 x 80
7	4899074	2	SCREW, Hex Flg, M12 x 1.75 x 120, Flange, M12 x 120
8	4890833	1	GASKET,
9	4899103	2	SCREW, Hex Flg, M8 x 1.25 x 12, Flange, M8 x 12
10	2853053	1	COVER, Flywheel Housing
11	4895358	1	COVER,
12	2852025	1	COVER, Fuel Pump Gear
13	18138424	3	SCREW, Hex Flg, M8 x 1.25 x 20, Flange, M8 x 20
13	2852865	2	SCREW,
14	4895079	1	PLUG,
15	REF	1	INSTRUCTION, COVER; See Figure 02-12

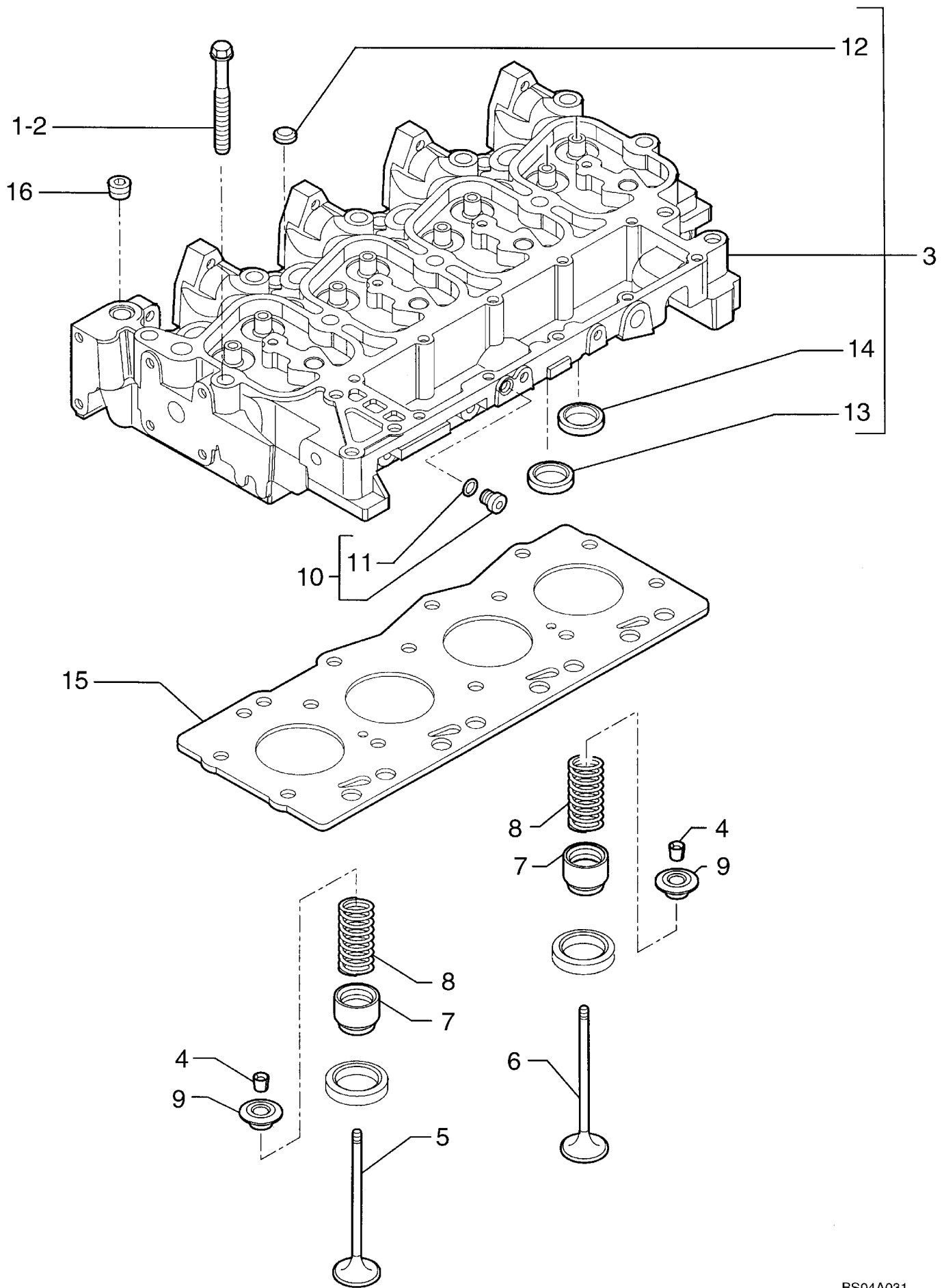


BS04A030

445 SKID STEER (3/04-)

02-15 BREATHER - ENGINE

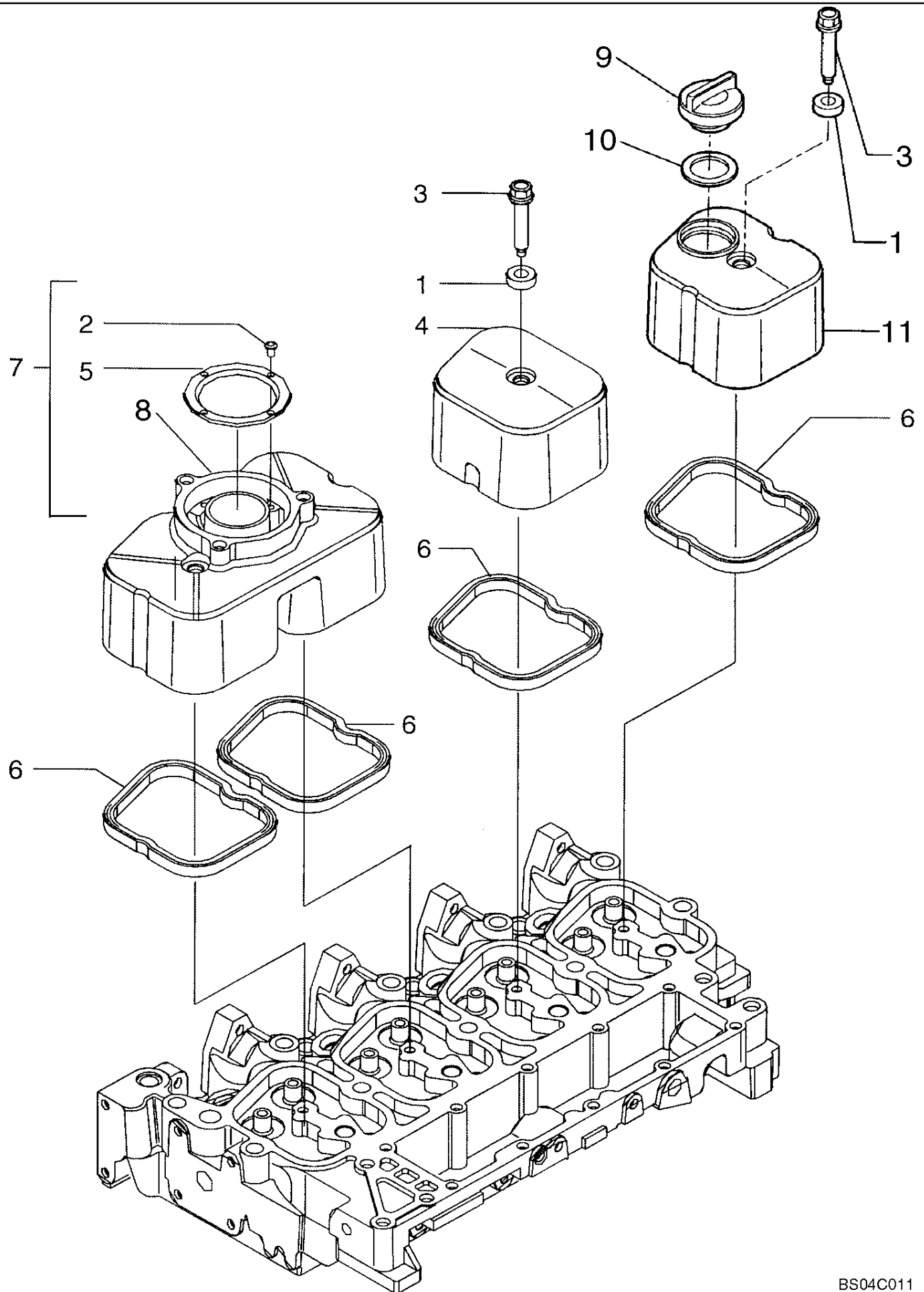
Ref	Part Number	Qty	Description
1	2852531	1	BREATHER,
2	2852028	1	GASKET,
3	4899110	3	SCREW, Hex Flg, M6 x 1 x 20,
4	REF	1	INSTRUCTION, COVER; See Figure 02-17



445 SKID STEER (3/04-)

02-16 CYLINDER HEAD

Ref	Part Number	Qty	Description
1	4892861	4	SCREW, With Washer; M12 x 73
2	4892859	10	SCREW, With Washer; M12 x 143
3	4895790	1	CYLINDER HEAD, Incl. Ref 12 -14
4	4895183	16	COTTER, ROCKER ARM,
5	4895188	4	VALVE, ENG EXHAUST, STD,
6	4895187	4	VALVE, ENGINE, INLET, STD,
7	4895347	8	CUP,
8	4895215	8	SPRING,
9	4895184	8	CUP,
10	4899009	1	PLUG, 10 x 1.5; Incl. Ref 11
11	4899072	1	O-RING,
12	4895179	3	PLUG,
13	4897178	4	VALVE SEAT,
14	4897179	4	VALVE SEAT,
15	2830919	1	GASKET, CYLINDER HEAD, SP=1,25
15	2830920	1	GASKET, SP=1,15
16	4895078	5	PLUG,
	4895089	2	PLUG, Not Illustrated



445 SKID STEER (3/04-)

02-17 CYLINDER HEAD - COVERS

Ref	Part Number	Qty	Description
1	4895360	4	BUSHING,
2	2830281	4	SCREW, Self-Tapping
3	4895214	4	SCREW, Flange
4	2852032	1	COVER,
5	2830775	1	BAFFLE,
6	2852033	4	GASKET,
7	2830784	1	COVER, Incl. Ref 2, 5
8	2830769	1	COVER,
9	4895202	1	CAP, INTRODUCTION,
10	4895296	1	GASKET,
11	2852894	1	COVER,

BUY NOW

**Then Instant Download
the Complete Manual
Thank you very much!**